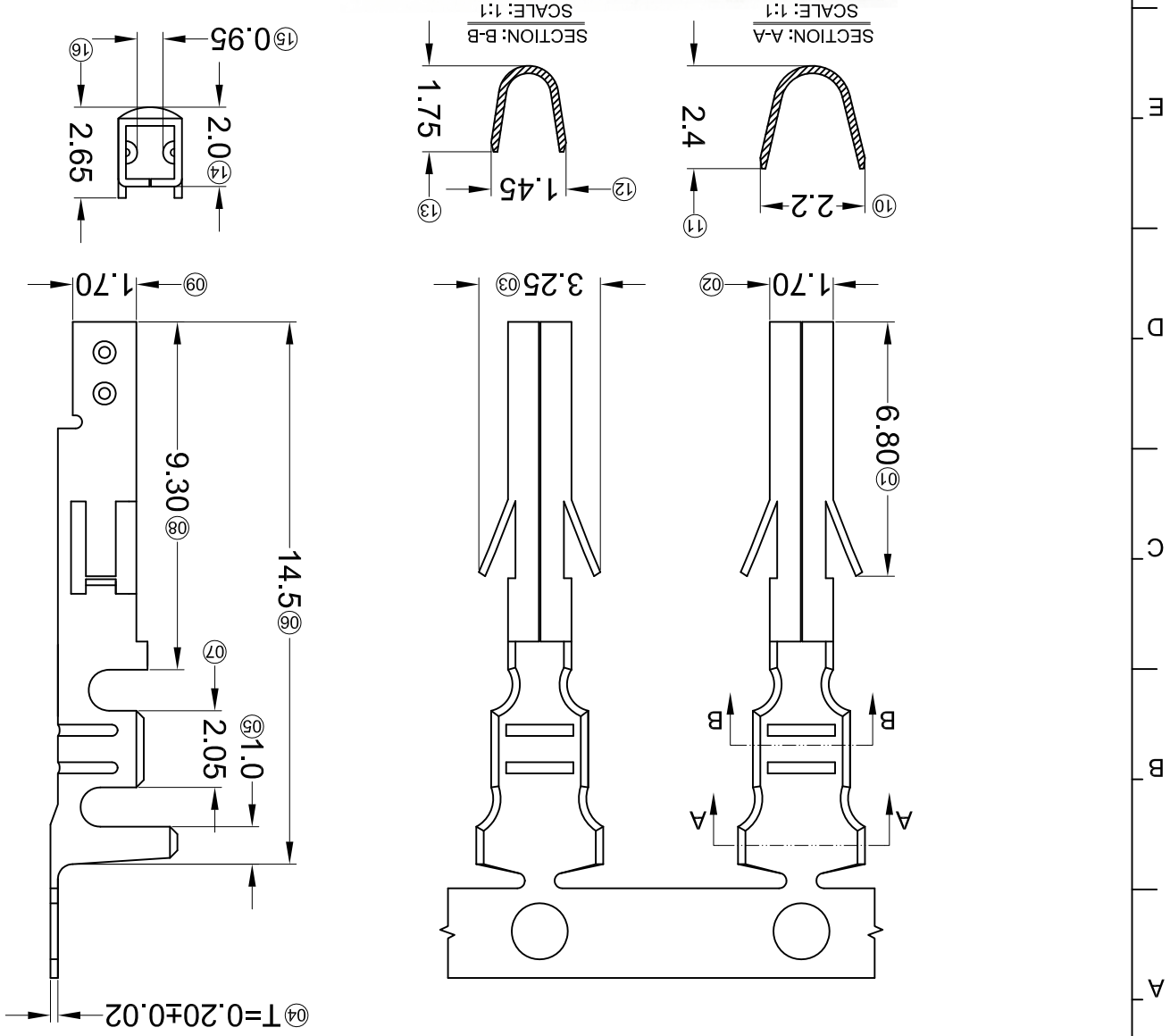


MARK	DESCRIPTION	DATE	REVISED	APPROVED	UNSPECIFIED TOLERANCES	
					L > 63	L ≤ 63
△ X					±0.5	
△ X					±0.4	
△ X					±0.3	
△ X					±0.2	
					±0.2	
					ANGULAR	±5°

For and on behalf of  
**XKB INDUSTRIAL PRECISION CO., LIMITED**  
 香港星坤工業精密有限公司  
 REVISIONS  
 Authorized Signatures(s)

DSND	DATE	SCALE: N/A	MODEL TYPE: X9357TF-XSN-M
DWN	DATE <td>VIEW: </td> <td>PART NO.:</td>	VIEW:	PART NO.:
CHKD	DATE <td>UNIT: mm</td> <td>DWG NO.:</td>	UNIT: mm	DWG NO.:
APPD	DATE <td>SIZE: A4</td> <td></td>	SIZE: A4	

PART NO	Material	Wire Range	Insulation O.D.	Finish	Suitable XKB
X9357TF-P-SN-M	Phosphor Bronze	AWG#24-28	1.90mm(Max)	Stamping Before Plating :30u" MIN, Ni:70u"Sn MIN.	x9357HM
X9357TF-B-SN-M	Brass				



- ① Series Number  
 X9357 T F-X SN X-M  
 ② Category: T-terminal  
 ③ Shape: F-Female  
 ④ Material: B-Brass; P-Phosphor Bronze  
 ⑤ Plating style: SN-Bright tin plating  
 ⑥ Plating method:  
 Blank-Stamping before plating;  
 Special No: M-Low Leads  
 ⑦

- Specifications :
- Voltage rating: 600V AC / DC
  - Current rating: 9A AC / DC
  - Withstanding voltage: 1500V AC/minute
  - Temperature range: -25°C~+85°C
  - Insulation resistance: ≥1000MΩ
  - Contact resistance: ≤10mΩ
  - After environmental testing : ≤20mΩ

WEIGHT	SHEET	REVISION
1.0g	1/1	A0

DSND	DATE	SCALE: N/A	MODEL TYPE: X9357TF-XSN-M
DWN	DATE <td>VIEW: </td> <td>PART NO.:</td>	VIEW:	PART NO.:
CHKD	DATE <td>UNIT: mm</td> <td>DWG NO.:</td>	UNIT: mm	DWG NO.:
APPD	DATE <td>SIZE: A4</td> <td></td>	SIZE: A4	

PART NO	Material	Wire Range	Insulation O.D.	Finish	Suitable XKB
X9357TF-P-SN-M	Phosphor Bronze	AWG#24-28	1.90mm(Max)	Stamping Before Plating :30u" MIN, Ni:70u"Sn MIN.	x9357HM
X9357TF-B-SN-M	Brass				

## X-ON Electronics

Largest Supplier of Electrical and Electronic Components

*Click to view similar products for [Terminals](#) category:*

*Click to view products by [XKB](#) manufacturer:*

Other Similar products are found below :

[HT-13-10](#) [71M-250-32-NB](#) [01-2065-1-0216](#) [00581P0075](#) [M10-10RX](#) [M10BCK](#) [60205-1](#) [604200-1](#) [60598-1-CUT-TAPE](#) [60617-1-C](#) [60873-1](#) [M14-516R/SK](#) [M14-6RSX](#) [M18-10FLX](#) [M18-8FBX](#) [M18-8R/LX](#) [M18BCK](#) [61314-6-C](#) [61-S](#) [61-SN-A](#) [62-NBM-A](#) [63-S](#) [640179-1](#) [640917-2-CUT-TAPE](#) [6501550002](#) [66107-2-C](#) [66107-4-C](#) [696683-1](#) [696834-1](#) [696861-1](#) [696931-1](#) [696999-1](#) [M8-516RK](#) [M86700006](#) [MA250DMFMX-A](#) [701-2007](#) [701-2307](#) [701-7761-03](#) [70F-110-32-PB](#) [718-N-A](#) [71M-187-20-NBL](#) [71M-250-32-NBL](#) [72F-187-20-NBL](#) [72M-250-32-NBL](#) [7310](#) [73F-250-32](#) [73F-250-32-NBL](#) [73F-250-32-NL](#) [F14-10C](#) [F-1M](#)