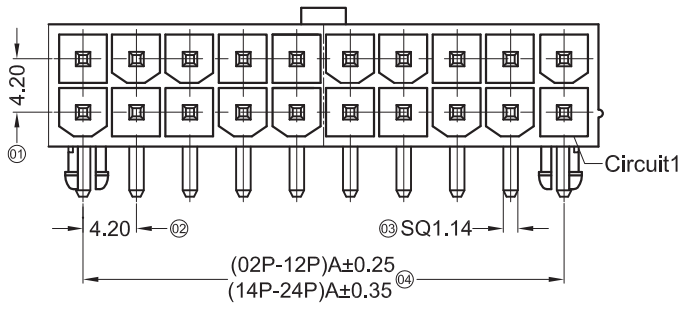
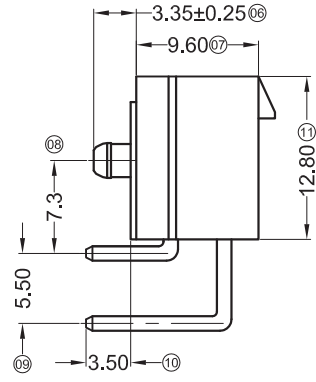
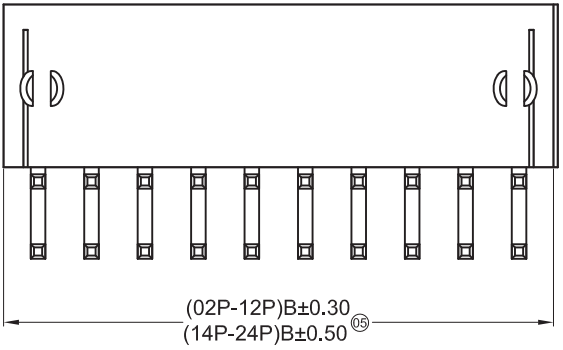


1 2 3 4 5 6 7 8

A



B



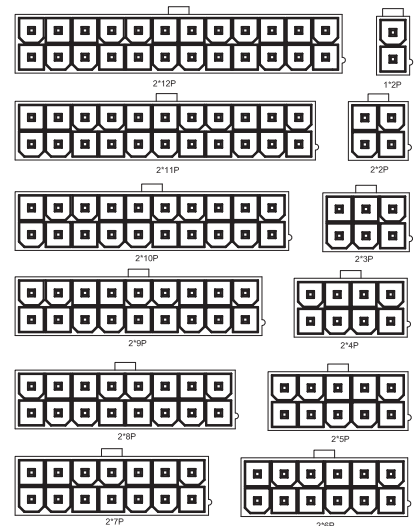
Specifications :

- Voltage rating: 600V AC / DC
- Current rating: 9A AC / DC
- Withstanding voltage: 1500V AC/minute
- Temperature range: -25°C~+85°C
- Insulation resistance: ≥1000MΩ
- Contact resistance: ≤10mΩ
- After environmental testing: ≤20mΩ

X9357 W R X-2*XX SX-XX SN XX

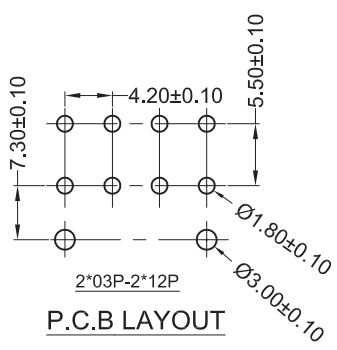
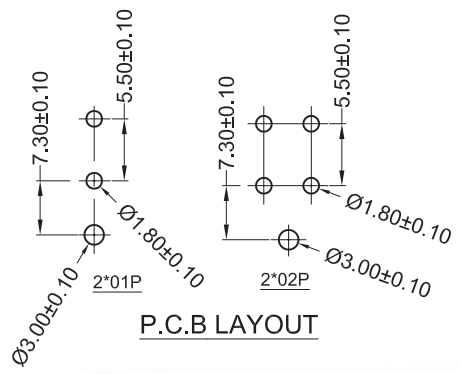
- (11) Series No.
- (12) Category: W-wafer
- (13) Welding Board Angle: R-90°
- (14) Welding Way: Blank-DIP ;
- (15) Row No.-Pin No.: 2*XX-Double row
- (16) Special NO.
- S-With positioning column F-halogen free
- (17) Material: N0-PA66 94V-0 ; N2-PA66 94V-2 ; LP-LCP 94V-0
- (18) Plating Category: SN-Bright tin plating 70u"
- (19) Color: Blank-natural color BK-BLACK BL-BLUE RE-RED

C



Poles	Dimensions(mm)	
	A	B
2*01	---	5.40
2*02	4.20	9.60
2*03	8.40	13.80
2*04	12.60	18.00
2*05	16.80	22.20
2*06	21.00	26.40
2*07	25.20	30.60
2*08	29.40	34.80
2*09	33.60	39.00
2*10	37.80	43.20
2*11	42.00	47.40
2*12	46.20	51.60

D



X9357WR-2*XXS-LPSN	LCP UL 94V-0	Brass	Tin-Plated	X9357H
X9357WR-2*XXSF-N0SNBK	Nylon 66 UL 94V-0 Halogen Free			
X9357WR-2*XXS-N0SNXX	Nylon 66 UL 94V-0			
X9357WR-2*XXS-N2SNXX	Nylon 66 UL 94V-2			
PART NO	Material	Material(Pin)	Finish(Pin)	Suitable XKB Terminal

E

For and on behalf of
XKB INDUSTRIAL PRECISION CO., LIMITED
 香港星坤工業精密有限公司

F

△ X					ANGULAR	±5°
△ X					L ≤ 4	±0.2
△ X					4 < L ≤ 16	±0.3
MARK	DESCRIPTION	DATE	REVISED	APPROVED	16 < L ≤ 63	±0.4
					L > 63	±0.5
					UNSPECIFIED TOLERANCES	

DSND		DATE		SCALE: N/A	MODEL TYPE: X9357WR-2*XXS-XXSN
DWN		DATE		VIEW:	PART NO.:
CHKD		DATE		UNIT: mm	4.20mm Crimp Style Connectors
APPD		DATE		SIZE: A4	DWG NO.:
					WEIGHT 1.0g
					SHEET 1/1
					REVISION A0

1 2 3 4 5 6 7 8

Authorized Signature(s)

XKB INDUSTRIAL PRECISION CO., LIMITED

X-ON Electronics

Largest Supplier of Electrical and Electronic Components

Click to view similar products for [Headers & Wire Housings](#) category:

Click to view products by [XKB](#) manufacturer:

Other Similar products are found below :

[57102-F02-18ULF](#) [58102-G61-06LF](#) [0009485154](#) [009176003701906](#) [0050291907](#) [02.125.8002.8](#) [609-3404](#) [61062-3](#) [622-0430](#) [622-3653LF](#)
[63453-116](#) [636-1030](#) [636-1427](#) [636-3427](#) [636-4007](#) [641938-9](#) [644827-2](#) [65495-038](#) [65692-001LF](#) [65781-018](#) [65781-047](#) [65817-010LF](#)
[65817-015LF](#) [66207-023LF](#) [67016-026LF](#) [67095-007LF](#) [68631-112](#) [68645-018](#) [68648-049](#) [699319-000](#) [70.362.1628.0](#) [70-4210](#) [70-4226B](#)
[70-4853B](#) [707-5020](#) [707-5028](#) [71.350.2428.0](#) [71961-016LF](#) [733-134](#) [754199-000](#) [760-3052](#) [787-8014-00](#) [FCN-367T-T012/H](#) [80.063.4001.1](#)
[800-90-001-10-001000](#) [800-90-010-10-002000](#) [801-43-002-10-013000](#) [801-43-006-10-002000](#) [803-41-018-10-001000](#) [803-43-014-20-](#)
[001000](#)