

REVISIONS  
*(Unauthorized Signatures)*

| MARK | DESCRIPTION | DATE | REVISED | APPROVED | UNSPECIFIED TOLERANCES |
|------|-------------|------|---------|----------|------------------------|
| △ X  |             |      |         |          | L > 63<br>± 0.5        |
| △ X  |             |      |         |          | 16 > L ≤ 63<br>± 0.4   |
| △ X  |             |      |         |          | 4 < L ≤ 16<br>± 0.3    |
| △ X  |             |      |         |          | L ≤ 4<br>± 0.2         |
|      |             |      |         |          | ANGULAR<br>± 5°        |

For and on behalf of  
**XKB INDUSTRIAL PRECISION CO., LIMITED**  
香港星坤工業精密有限公司

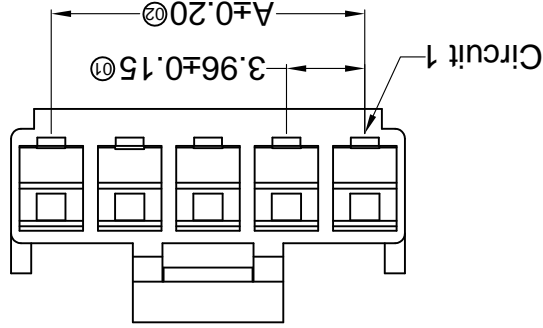
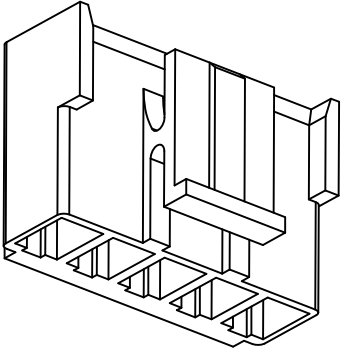
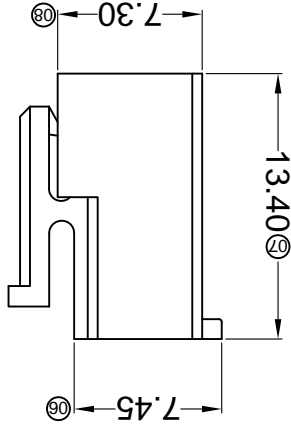
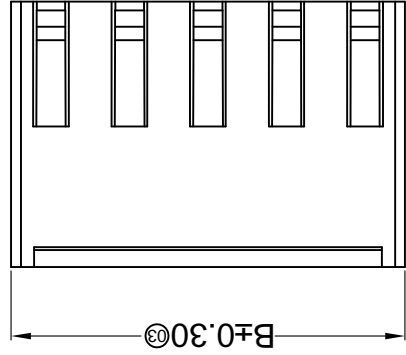
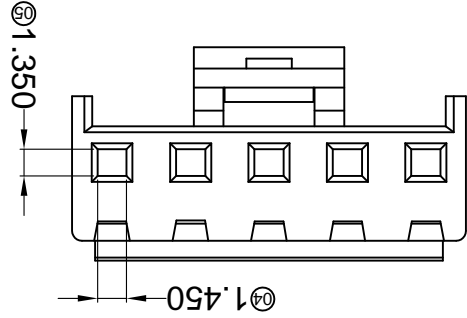
**XKB INDUSTRIAL PRECISION CO., LIMITED**

|             |                               |
|-------------|-------------------------------|
| WEIGHT      | 1.0g                          |
| SHEET       | 1/1                           |
| REVISION    | A0                            |
| SIZE:       | A4                            |
| DATE:       |                               |
| UNIT:       | mm                            |
| VIEW:       |                               |
| SCALE:      | N/A                           |
| MODEL TYPE: | X9396H-XX-N0                  |
| PART NO.:   |                               |
| DWG NO.:    | 3.96mm Crimp Style Connectors |

| PART NO        | Material          | Suitable XKB Terminal | Suitable XKB Terminal |
|----------------|-------------------|-----------------------|-----------------------|
| X9396H-XX-N0-C | Nylon 66 UL 94V-0 | X9396T                | Suitable XKB Terminal |
| X9396H-XX-N0   | Nylon 66 UL 94V-0 | X9396W                | Suitable XKB Terminal |

| Poles | Dimensions(mm) |       |
|-------|----------------|-------|
|       | A              | B     |
| 02    | 3.96           | 8.02  |
| 03    | 7.92           | 11.98 |
| 04    | 11.88          | 15.94 |
| 05    | 15.84          | 19.90 |
| 06    | 19.80          | 23.86 |
| 07    | 23.76          | 27.82 |
| 08    | 27.72          | 31.78 |

- Specifications :**
- Voltage rating: 250V AC / DC
  - Current rating: 7A AC / DC
  - Withstanding voltage: 1500V AC/minute
  - Temperature range: -25°C~+85°C
  - Insulation resistance: ≥1000MΩ
  - Contact resistance: ≤10mΩ
  - After environmental testing: ≤20mΩ
- X9396 H X - XX X - N0 XX
- ① Series No.    ①① ①② ①③ ①④ ①⑤ ①⑥ ①⑦
- ② Category: H-HSG
- ③ Welding Board Angle: Blank-ordinary
- ④ Row No.-Pin No.:XX-Single row ;
- ⑤ Plug the Pin & special No.
- ⑥ Material: N0-PA66 94V-0
- ⑦ C-Resistance to glowing filament



## X-ON Electronics

Largest Supplier of Electrical and Electronic Components

*Click to view similar products for [Headers & Wire Housings](#) category:*

*Click to view products by [XKB](#) manufacturer:*

Other Similar products are found below :

[95000-104TRLF](#) [10135584-644402LF](#) [DF62W-EP2022PCA](#) [95000-106TRLF](#) [DF62W-2022SCA](#) [DF62W-EP2022PC](#) [2203348](#) [DF62W-2022SC](#) [1084018](#) [1029039](#) [1084017](#) [802-10-012-10-002000](#) [1112640](#) [1112639](#) [891-007-9SS-BST1T](#) [000-34000](#) [0008550134](#) [0009482033](#) [0009507031](#) [57102-F02-18ULF](#) [57102-S06-03LF](#) [57202-S52-04LF](#) [PCN6-15S-2.5E](#) [0039019024](#) [58102-G61-06LF](#) [582553-1](#) [0009485154](#) [0009508121](#) [0022285053](#) [0050291907](#) [018731A](#) [LY20-4P-DT1-P1E-BR](#) [02.125.8002.8](#) [60101931](#) [60598-1 \(Cut Strip\)](#) [M1625-3R/100](#) [61062-3](#) [61082-181009](#) [CSU011177004](#) [636-1427](#) [638009-1](#) [641938-9](#) [641991-4](#) [644168-1](#) [644827-2](#) [647662-1](#) [65039-019ELF](#) [65692-001LF](#) [65781-018](#) [65781-047](#)