

REVISIONS
(Unauthorized Signatures)

| MARK | DESCRIPTION | DATE | REVISED | APPROVED | UNSPECIFIED TOLERANCES |
|------|-------------|------|---------|----------|------------------------|
| △ X | | | | | L > 63 ± 0.5 |
| △ X | | | | | 16 > L ≤ 63 ± 0.4 |
| △ X | | | | | 4 < L ≤ 16 ± 0.3 |
| △ X | | | | | L ≤ 4 ± 0.2 |
| | | | | | ANGULAR ± 5° |

For and on behalf of
XKB INDUSTRIAL PRECISION CO., LIMITED
香港星坤工業精密有限公司

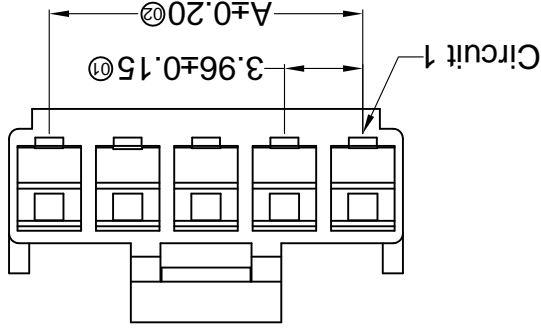
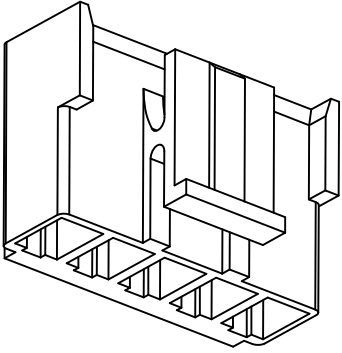
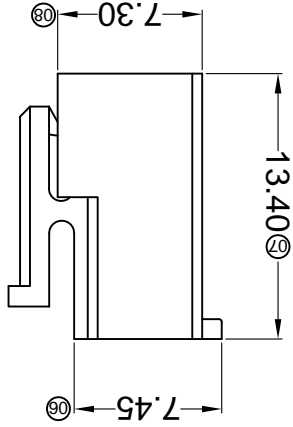
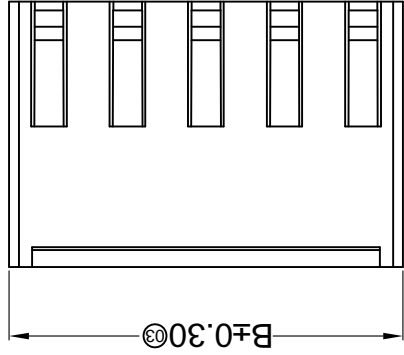
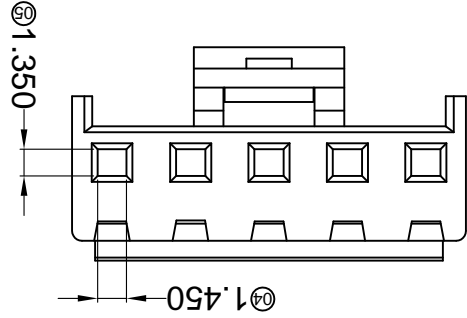
XKB INDUSTRIAL PRECISION CO., LIMITED

| | |
|------------|-------------------------------|
| WEIGHT | 1.0g |
| SHEET | 1/1 |
| REVISION | A0 |
| DATE | |
| SIZE | A4 |
| UNIT | mm |
| VIEW | VIEW: ⑧ |
| SCALE | N/A |
| MODEL TYPE | X9396H-XX-N0 |
| PART NO. | |
| DWG NO.: | 3.96mm Crimp Style Connectors |

| PART NO | Material | Suitable XKB Terminal | Suitable XKB Terminal |
|----------------|-------------------|-----------------------|-----------------------|
| X9396H-XX-N0-C | Nylon 66 UL 94V-0 | X9396T | Suitable XKB Terminal |
| X9396H-XX-N0 | Nylon 66 UL 94V-0 | X9396W | Suitable XKB Terminal |

| Poles | Dimensions(mm) | |
|-------|----------------|-------|
| | A | B |
| 02 | 3.96 | 8.02 |
| 03 | 7.92 | 11.98 |
| 04 | 11.88 | 15.94 |
| 05 | 15.84 | 19.90 |
| 06 | 19.80 | 23.86 |
| 07 | 23.76 | 27.82 |
| 08 | 27.72 | 31.78 |

- Specifications :**
- Voltage rating: 250V AC / DC
 - Current rating: 7A AC / DC
 - Withstanding voltage: 1500V AC/minute
 - Temperature range: -25°C~+85°C
 - Insulation resistance: ≥1000MΩ
 - Contact resistance: ≤10mΩ
 - After environmental testing: ≤20mΩ
- X9396 H X - XX X - N0 XX
- ① Series No. ② Category: H-HSG
 ③ Welding Board Angle: Blank-ordinary
 ④ Row No.-Pin No.:XX-Single row ;
 ⑤ Plug the Pin & special No.
 ⑥ Material: N0-PA66 94V-0
 ⑦ C-Resistance to glowing filament



X-ON Electronics

Largest Supplier of Electrical and Electronic Components

Click to view similar products for [Headers & Wire Housings](#) category:

Click to view products by [XKB](#) manufacturer:

Other Similar products are found below :

[95000-104TRLF](#) [10135584-644402LF](#) [DF62W-EP2022PCA](#) [95000-106TRLF](#) [DF62W-2022SCA](#) [DF62W-EP2022PC](#) [2203348](#) [DF62W-2022SC](#) [1084018](#) [1029039](#) [1084017](#) [802-10-012-10-002000](#) [1112640](#) [1112639](#) [891-007-9SS-BST1T](#) [000-34000](#) [0008550134](#) [0009482033](#) [0009507031](#) [57102-F02-18ULF](#) [57102-S06-03LF](#) [57202-S52-04LF](#) [PCN6-15S-2.5E](#) [0039019024](#) [58102-G61-06LF](#) [582553-1](#) [0009485154](#) [0009508121](#) [0022285053](#) [0050291907](#) [018731A](#) [LY20-4P-DT1-P1E-BR](#) [02.125.8002.8](#) [60101931](#) [60598-1 \(Cut Strip\)](#) [M1625-3R/100](#) [61062-3](#) [61082-181009](#) [CSU011177004](#) [636-1427](#) [638009-1](#) [641938-9](#) [641991-4](#) [644168-1](#) [644827-2](#) [647662-1](#) [65039-019ELF](#) [65692-001LF](#) [65781-018](#) [65781-047](#)