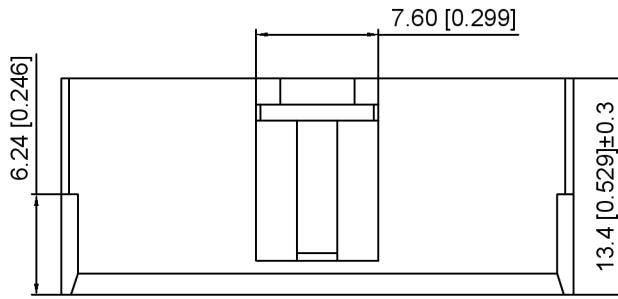
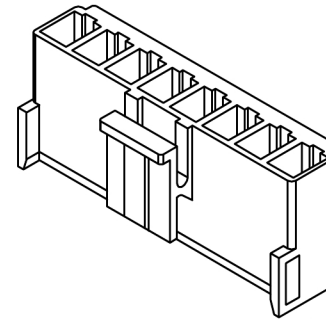
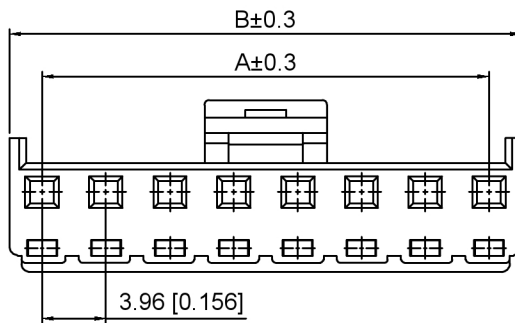
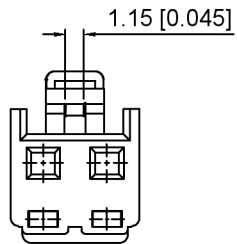
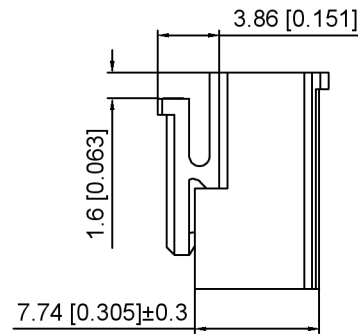


02 Pin



03 Pin以上



Specifications:

规格:

Voltage rating:250V AC/DC

额定电压: 250V AC/DC

Current rating:7A AC/DC

额定电流: 7A AC/DC

Withstanding voltage:1500V AC/minute

耐受电压: 1500V AC/分钟

Temperature range:-40℃~+125℃

温度范围:-40℃~+125℃

Insulation resistance:1000MΩ min

绝缘电阻: 1000MΩ Min

Contact resistance:10mΩ Max

接触电阻: 10mΩ Max

Material:过灼热丝85°

X9396 H - XX - N0 - U
① ② ③ ④ ⑤

1. Series No

2. Category:H-Housing

3. Row No.Pin No:XX-02~15P

4. Material:N0-PA66 UL94V-0

5. Social No:U- upgraded version

| Poles | Dimensions(mm) | | Poles | Dimensions(mm) | |
|-------|----------------|-------|-------|----------------|-------|
| | A | B | | A | B |
| 02 | 3.96 | 8.02 | 09 | 31.68 | 35.74 |
| 03 | 7.92 | 11.98 | 10 | 35.64 | 39.70 |
| 04 | 11.88 | 15.94 | 11 | 39.60 | 43.66 |
| 05 | 15.84 | 19.90 | 12 | 43.56 | 47.62 |
| 06 | 19.80 | 23.86 | 13 | 47.52 | 51.58 |
| 07 | 23.76 | 27.82 | 14 | 51.48 | 55.54 |
| 08 | 27.72 | 31.78 | 15 | 55.44 | 59.50 |

| X9396H-XX-N0-U | PA66 | X9396W | X9396T |
|----------------|----------|--------------------|-----------------------|
| PART NO | Material | Suitable XKB Wafer | Suitable XKB Terminal |

| DSND | SCALE: N/A | MODEL TYPE: |
|---|-------------|------------------------------|
| DWN <td>VIEW: </td> <td>3.96mm Crimp Style Connector</td> | VIEW: | 3.96mm Crimp Style Connector |
| CHKD <td>UNIT: mm/in</td> <td>PART NO.: X9396H-XX-N0-U</td> | UNIT: mm/in | PART NO.: X9396H-XX-N0-U |
| APPD <td>SIZE: A4</td> <td>DWG NO.: X-X9396H-XX-N0-U</td> | SIZE: A4 | DWG NO.: X-X9396H-XX-N0-U |
| | | WEIGHT SHEET REVISION |
| | | 1/1 A0 |



XKB INDUSTRIAL PRECISION CO., LIMITED

| ANGLAR | ±5° |
|------------------------|------|
| L ≤ 4 | ±0.2 |
| 4 < L ≤ 16 | ±0.3 |
| 16 < L ≤ 63 | ±0.4 |
| L > 63 | ±0.5 |
| UNSPECIFIED TOLERANCES | |

| MARK | DESCRIPTION | DATE | REVISED | APPROVED |
|-----------|-------------|------|---------|----------|
| ΔX | | | | |
| ΔX | | | | |
| ΔX | | | | |
| REVISIONS | | | | |

X-ON Electronics

Largest Supplier of Electrical and Electronic Components

Click to view similar products for [Headers & Wire Housings](#) category:

Click to view products by [XKB](#) manufacturer:

Other Similar products are found below :

[57102-F02-18ULF](#) [58102-G61-06LF](#) [582553-1](#) [009176003701906](#) [01.001.5753.1](#) [0050291907](#) [02.125.8002.8](#) [609-3404](#) [61062-3](#)
[CSU011177004](#) [622-0430](#) [622-3653LF](#) [63453-116](#) [636-1030](#) [636-1427](#) [636-3427](#) [636-4007](#) [641938-9](#) [644827-2](#) [65495-038](#) [65692-001LF](#)
[65781-018](#) [65781-047](#) [65817-010LF](#) [65817-015LF](#) [66207-023LF](#) [67095-007LF](#) [67601157](#) [68631-112](#) [68645-018](#) [699319-000](#)
[M90C108951C](#) [70.362.1628.0](#) [70-4210](#) [70-4226B](#) [70-4853B](#) [707-5028](#) [71.350.2428.0](#) [71961-016LF](#) [733-134](#) [733-162](#) [754199-000](#) [760-](#)
[3052](#) [80.063.4001.1](#) [800-90-001-10-001000](#) [800-90-010-10-002000](#) [801-43-002-10-013000](#) [801-43-006-10-002000](#) [803-41-018-10-001000](#)
[803-43-024-10-001000](#)