

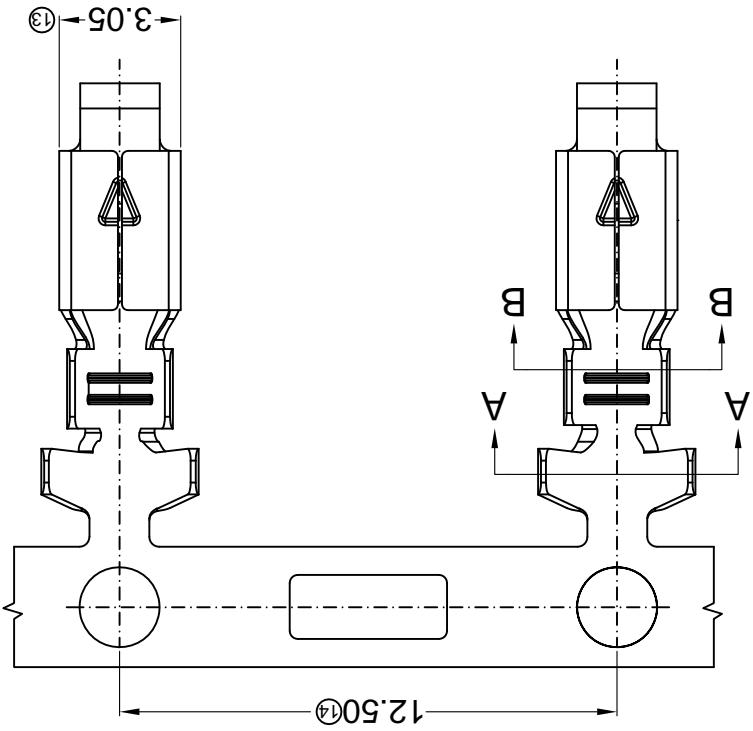
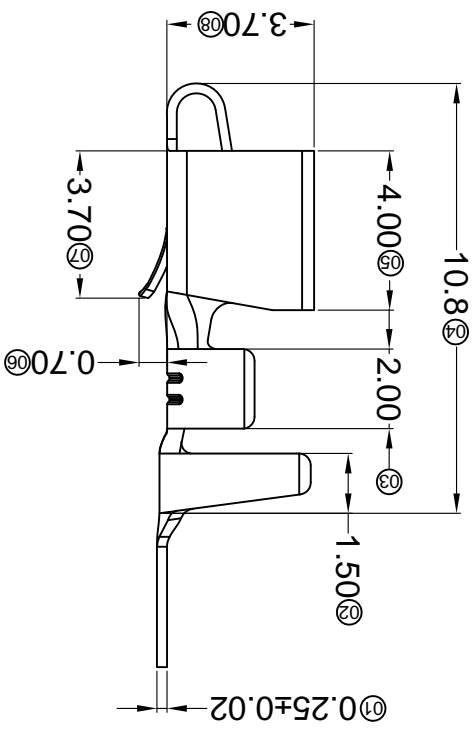
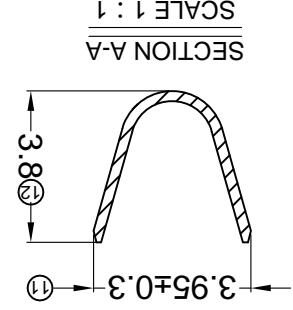
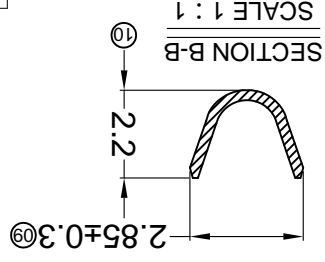
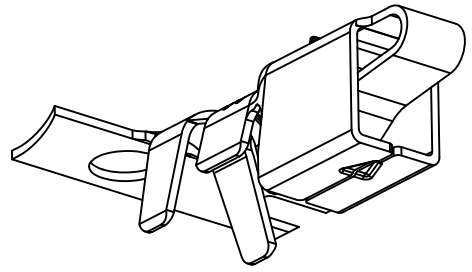
REVISIONS		UNSPECIFIED TOLERANCES		APPROVED		REVISED		DATE		DESCRIPTION		MARK	
XKB INDUSTRIAL PRECISION CO., LIMITED		L > 63		L > 63								△ X	
XKB INDUSTRIAL PRECISION CO., LIMITED		16 < L ≤ 63		±0.4								△ X	
XKB INDUSTRIAL PRECISION CO., LIMITED		4 < L ≤ 16		±0.3								△ X	
XKB INDUSTRIAL PRECISION CO., LIMITED		L ≤ 4		±0.2								△ X	
XKB INDUSTRIAL PRECISION CO., LIMITED		ANGULAR		±5°									

For and on behalf of
XKB INDUSTRIAL PRECISION CO., LIMITED
 香港星坤工業精密有限公司

DSND	DATE	SCALE: N/A	MODEL TYPE: X9396T-BSN
DWN	DATE	VIEW:	PART NO.:
CHKD	DATE	UNIT: mm	3.96mm Crimp Style Connectors
APPD	DATE	SIZE: A4	DWG NO.:

WEIGHT	1.0g
SHEET	1/1
REVISION	A0

PART NO	X9396T-BSN	Material	Brass	AWG#	18-22	Insulation O.D.	3.00mm(Max)	Stamping Before Plating	30U" Ni:70U" Sn	Finish	Suitable XKB Terminal
Wire Range	AWG#18-22	Insulation O.D.	3.00mm(Max)	Stamping Before Plating	30U" Ni:70U" Sn	Finish	Suitable XKB Terminal				



- Specifications :
- Voltage rating: 250V AC / DC
 - Current rating: 7A AC / DC
 - Withstanding voltage: 1500V AC/minute
 - Temperature range: -25°C~+85°C
 - Insulation resistance: ≥1000MΩ
 - Contact resistance: ≤10mΩ
 - After environmental testing: ≤20mΩ

- X9396 T X - B SN X - X
- ① Series Number
 - ② Category: T-terminal
 - ③ Shape: Blank-ordinary
 - ④ Material: B-brass
 - ⑤ Plating style: SN-Bright tin plating
 - ⑥ Plating method: Blank-Stamping before plating
 - ⑦ B-Plating before stamping
 - ⑧ Mold No./Mark/Special No.

X-ON Electronics

Largest Supplier of Electrical and Electronic Components

Click to view similar products for [Terminals](#) category:

Click to view products by [XKB](#) manufacturer:

Other Similar products are found below :

[HT-13-10](#) [71M-250-32-NB](#) [01-2065-1-0216](#) [00581P0075](#) [M10-10RX](#) [M10BCK](#) [60205-1](#) [604200-1](#) [60598-1-CUT-TAPE](#) [60617-1-C](#) [60873-1](#) [M14-516R/SK](#) [M14-6RSX](#) [M18-10FLX](#) [M18-8FBX](#) [M18-8R/LX](#) [M18BCK](#) [61314-6-C](#) [61-S](#) [61-SN-A](#) [62-NBM-A](#) [63-S](#) [640179-1](#) [640917-2-CUT-TAPE](#) [6501550002](#) [66107-2-C](#) [66107-4-C](#) [696683-1](#) [696834-1](#) [696861-1](#) [696931-1](#) [696999-1](#) [M8-516RK](#) [M86700006](#) [MA250DMFMX-A](#) [701-2007](#) [701-2307](#) [701-7761-03](#) [70F-110-32-PB](#) [718-N-A](#) [71M-187-20-NBL](#) [71M-250-32-NBL](#) [72F-187-20-NBL](#) [72M-250-32-NBL](#) [7310](#) [73F-250-32](#) [73F-250-32-NBL](#) [73F-250-32-NL](#) [F14-10C](#) [F-1M](#)