

For and on behalf of
KRB INDUSTRIAL PRECISION CO., LIMITED
 香港星坤工業精密有限公司

Authorized Signatures

MARK	DESCRIPTION	DATE	REVISED	APPROVED	UNSPECIFIED TOLERANCES
△ X					L > 63 ± 0.5
△ X					16 < L ≤ 63 ± 0.4
△ X					4 < L ≤ 16 ± 0.3
△ X					L ≤ 4 ± 0.2
					ANGULAR ± 5°

REVISION	SHEET	WEIGHT	1/1	8
		1.0g		

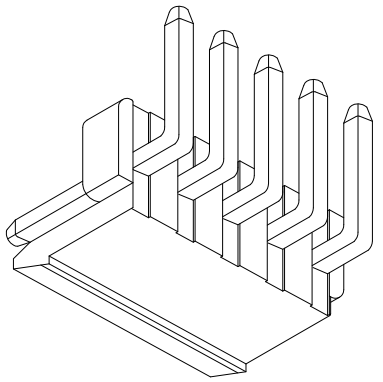
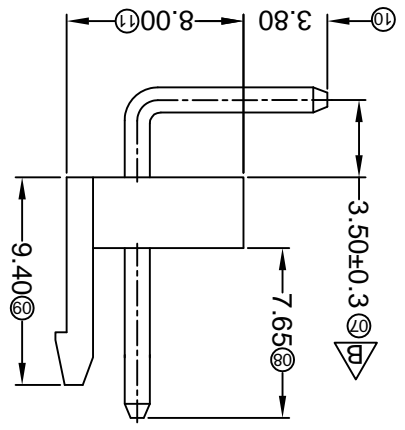
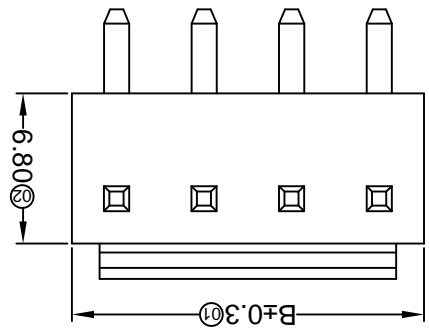
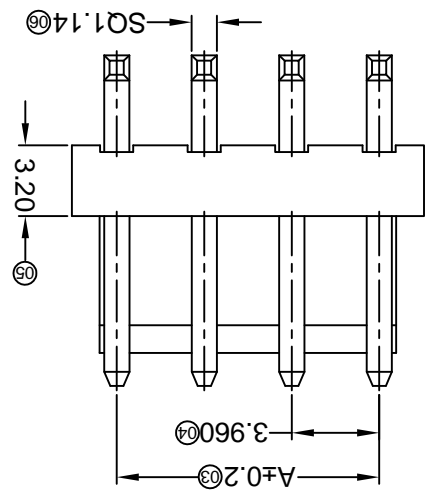
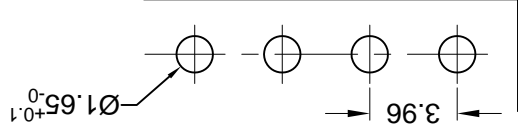
DSND	DATE	SCALE: N/A	MODEL TYPE: X9396WR-XX-N0SN

DWN	DATE	VIEW:	PART NO.: 3.96mm Crimp Style Connectors

CHKD	DATE	UNIT: mm	DWG NO.:

APPD	DATE	SIZE: A4	KKB INDUSTRIAL PRECISION CO., LIMITED

Recommended P.C.B Layout
 General Tolerance±0.05



PART NO	Material	Material(Pin)	Finish(Pin)	Suitable XKB Terminal
X9396WR-XX-N0SN	Nylon 66 UL 94V-0	Brass	Tin-Plated	X9396H

Poles	Dimensions(mm)		Poles	A	B
	A	B			
02	3.96	7.92	08	27.72	31.68
03	7.92	11.88	09	31.68	35.64
04	11.88	15.84	10	35.64	39.60
05	15.84	19.80	11	39.60	43.56
06	19.80	23.76	12	43.56	47.52
07	23.76	27.72			

X9396 W R X - XX X - NO SN XX
 ① Series No.
 ② Category: W-water
 ③ Welding Board Angle:R-90°
 ④ Welding Way: Blank-DIP
 ⑤ Row No.-Pin No. XX-Single row
 ⑥ Plug the Pin & Special NO:
 ⑦ Material: NO-PA66 94V-0
 ⑧ Plating Category: SN-Bright tin plating
 ⑨ Color: Blank-natural color

- Voltage rating: 250V AC / DC
- Current rating: 7A AC / DC
- Withstanding voltage: 1500V AC/minute
- Temperature range: -25°C~+85°C
- Insulation resistance: ≥1000MΩ
- Contact resistance: ≤10mΩ
- After environmental testing: ≤20mΩ

■ Specifications :

X-ON Electronics

Largest Supplier of Electrical and Electronic Components

Click to view similar products for [Headers & Wire Housings](#) category:

Click to view products by [XKB](#) manufacturer:

Other Similar products are found below :

[95000-104TRLF](#) [10135584-644402LF](#) [DF62W-EP2022PCA](#) [95000-106TRLF](#) [DF62W-2022SCA](#) [DF62W-EP2022PC](#) [2203348](#) [DF62W-2022SC](#) [1084018](#) [1029039](#) [1084017](#) [802-10-012-10-002000](#) [1112640](#) [1112639](#) [891-007-9SS-BST1T](#) [000-34000](#) [0008550134](#) [0009482033](#) [0009507031](#) [57102-F02-18ULF](#) [57102-S06-03LF](#) [57202-S52-04LF](#) [PCN6-15S-2.5E](#) [0039019024](#) [58102-G61-06LF](#) [582553-1](#) [0009485154](#) [0009508121](#) [0022285053](#) [0050291907](#) [018731A](#) [LY20-4P-DT1-P1E-BR](#) [02.125.8002.8](#) [60101931](#) [60598-1 \(Cut Strip\)](#) [M1625-3R/100](#) [61062-3](#) [61082-181009](#) [CSU011177004](#) [636-1427](#) [638009-1](#) [641938-9](#) [641991-4](#) [644168-1](#) [644827-2](#) [647662-1](#) [65039-019ELF](#) [65692-001LF](#) [65781-018](#) [65781-047](#)