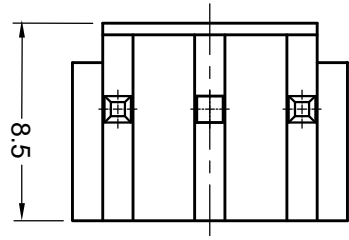


For and on behalf of
XKB INDUSTRIAL PRECISION CO., LIMITED
 香港星坤工業精密有限公司

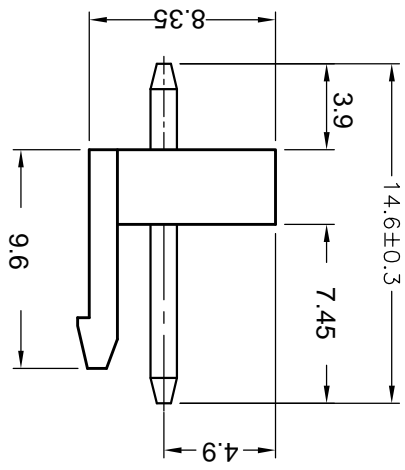
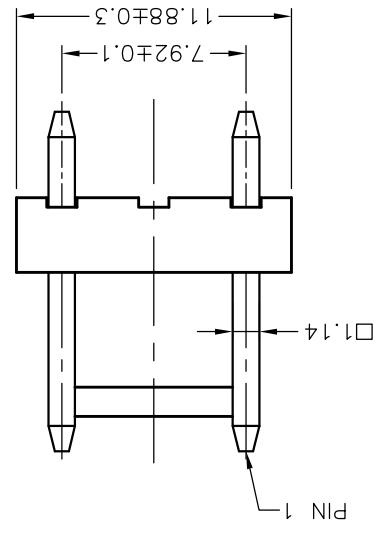
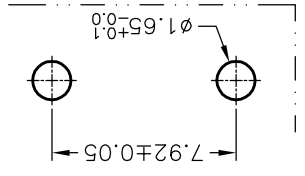
MARK	DESCRIPTION	DATE	REVISED	APPROVED	UNSPECIFIED TOLERANCES	
					L > 63	± 0.5
△ X					16 < L ≤ 63	± 0.4
△ X					4 < L ≤ 16	± 0.3
△ X					L ≤ 4	± 0.2
					ANGULAR	± 5°

REVISIONS	XKB INDUSTRIAL PRECISION CO., LIMITED	
WEIGHT	1.0g	
SHEET	1/1	
REVISION	A0	
DATE		
APPD		
CHKD		
DWN		
DSND		
SCALE: N/A		
MODEL TYPE: X9396WV-03-1-N0SN		
PART NO.:		
VIEW:		
UNIT: mm		
SIZE: A4		
3.96 mm Crimp Style Connectors		
DWG NO.:		

PART NO	Material	Material(Pin)	Finish(Pin)	Suitable XKB Terminal
X9396WV-03-1-N0SN	Nylon 66 UL 94V-0	Brass	Tin-Plated	X9396H



RECOMMENDED HOLE PATTERN



① Series No
 X9396 W V-XX-1- N0 SN

② Category: W-WAFER

③ Welding Board Angle: V-180°

④ Row No.-Pin No: 03P

⑤ A kick in the middle: 1

⑥ Material: N0-PA66 94V-0

⑦ Plating Category: SN-Bright Tin Plating

- Specifications :
- Voltage rating: 250V AC / DC
- Current rating: 7A AC / DC
- Withstanding voltage: 1500V AC/minute
- Temperature range: -25°C~+85°C
- Insulation resistance: ≥1000MΩ
- Contact resistance: ≤10mΩ
- After environmental testing: ≤20mΩ

X-ON Electronics

Largest Supplier of Electrical and Electronic Components

Click to view similar products for [Headers & Wire Housings](#) category:

Click to view products by [XKB](#) manufacturer:

Other Similar products are found below :

[95000-104TRLF](#) [10135584-644402LF](#) [DF62W-EP2022PCA](#) [95000-106TRLF](#) [DF62W-2022SCA](#) [DF62W-EP2022PC](#) [2203348](#) [DF62W-2022SC](#) [1084018](#) [1029039](#) [1084017](#) [802-10-012-10-002000](#) [1112640](#) [1112639](#) [891-007-9SS-BST1T](#) [000-34000](#) [0008550134](#) [0009482033](#) [0009507031](#) [57102-F02-18ULF](#) [57102-S06-03LF](#) [57202-S52-04LF](#) [PCN6-15S-2.5E](#) [0039019024](#) [58102-G61-06LF](#) [582553-1](#) [0009485154](#) [0009508121](#) [0022285053](#) [0050291907](#) [018731A](#) [LY20-4P-DT1-P1E-BR](#) [02.125.8002.8](#) [60101931](#) [60598-1 \(Cut Strip\)](#) [M1625-3R/100](#) [61062-3](#) [61082-181009](#) [CSU011177004](#) [636-1427](#) [638009-1](#) [641938-9](#) [641991-4](#) [644168-1](#) [644827-2](#) [647662-1](#) [65039-019ELF](#) [65692-001LF](#) [65781-018](#) [65781-047](#)