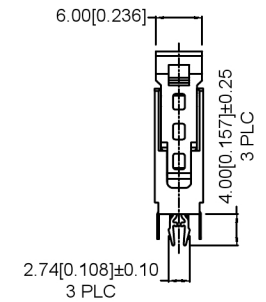
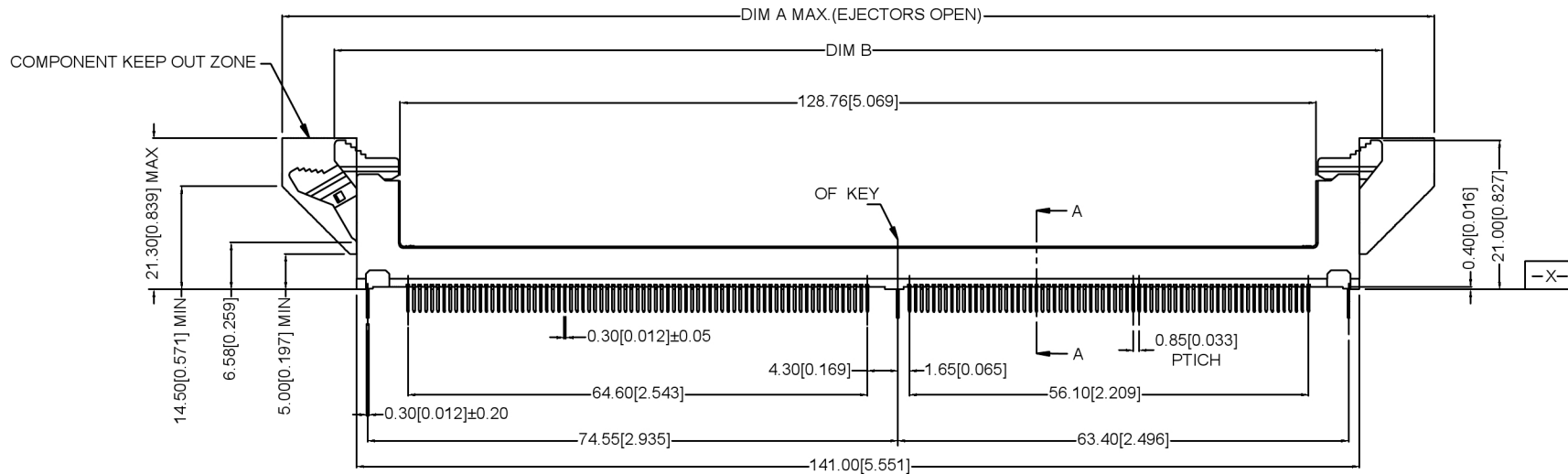


SECTION A-A  
SCALE 2:1



SECTION A-A  
SCALE 2:1

广东星坤科技股份有限公司

Δ建	日期
Δ改	日期
ΔX	日期

文件工程章

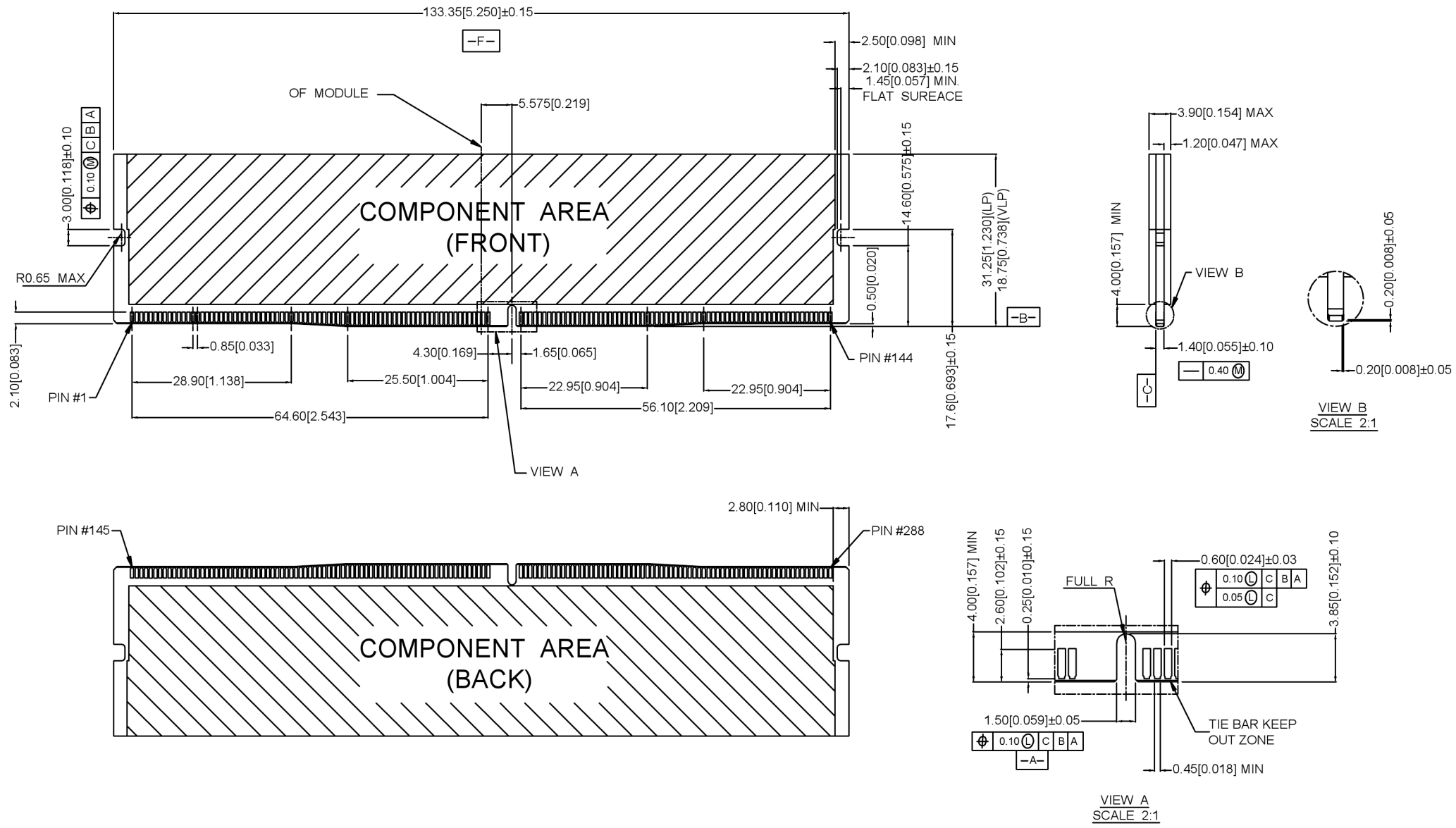
MARK	DESCRIPTION	DATE	REVISED	APPROVED	UNSPECIFIED TOLERANCES
	REVISIONS				

ANGLAR	±5°
L ≤ 4	±0.2
4 < L ≤ 16	±0.3
16 < L ≤ 63	±0.4
L > 63	±0.5



DSND	SCALE: N/A	MODEL TYPE:
DWN	VIEW:	PART NO.: X9405WV-288XX-46V15
CHKD	UNIT: mm/in	DWG NO.: X-X9405WV-288XX-46V15
APPD	SIZE: A4	WEIGHT
		SHEET
		REVISION
		1/1
		A0

XKB INDUSTRIAL PRECISION CO., LIMITED



广东星坤科技股份有限公司

Δ建	日期
Δ效	日期
Δ改	日期

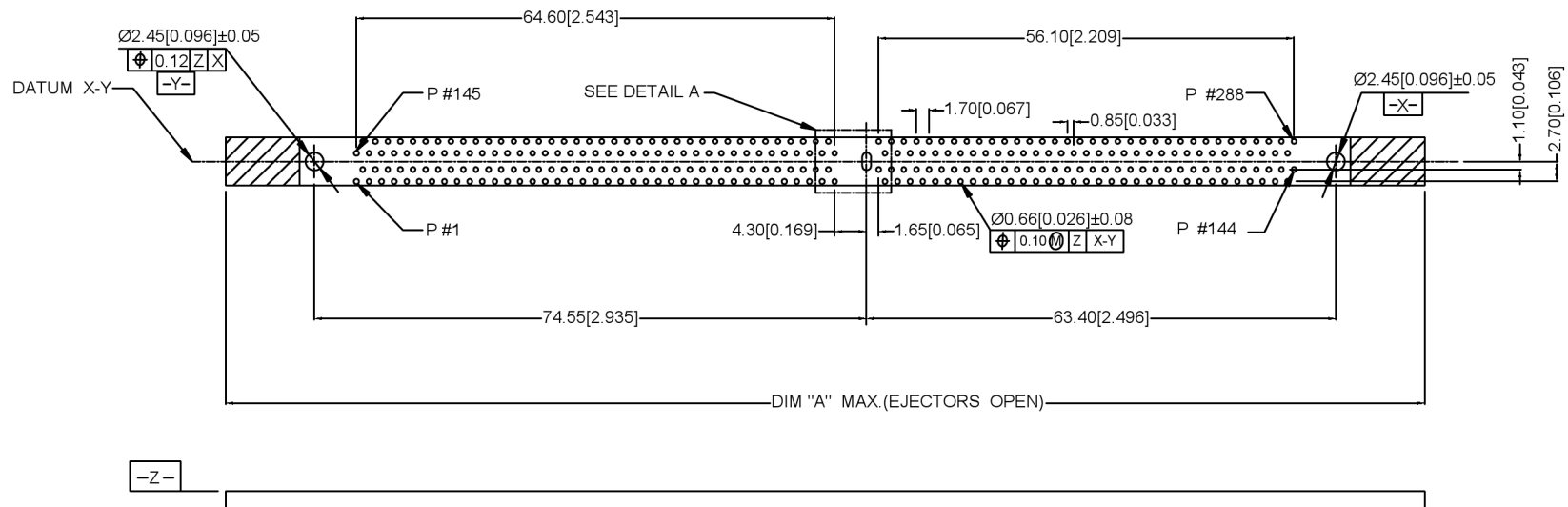
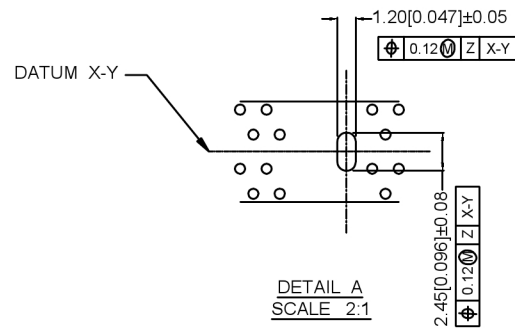
文件工程草

MARK	DESCRIPTION	DATE	REVISED	APPROVED	UNSPECIFIED TOLERANCES
	REVISIONS				
					ANGLAR ±5°
					L ≤ 4 ±0.2
					4 < L ≤ 16 ±0.3
					16 < L ≤ 63 ±0.4
					L > 63 ±0.5

**XKLB**

KXB INDUSTRIAL PRECISION CO., LIMITED

DSND	SCALE: N/A	MODEL TYPE:
DWN	VIEW:	PART NO.:
CHKD	UNIT: mm/in	X9405WV-288XX-46V15
APPD	SIZE: A4	DWG NO.:
		X-X9405WV-288XX-46V15
	WEIGHT	SHEET
	1/1	REVISION
		A0



RECOMMENDED PCB LAYOUT (TOP VIEW)

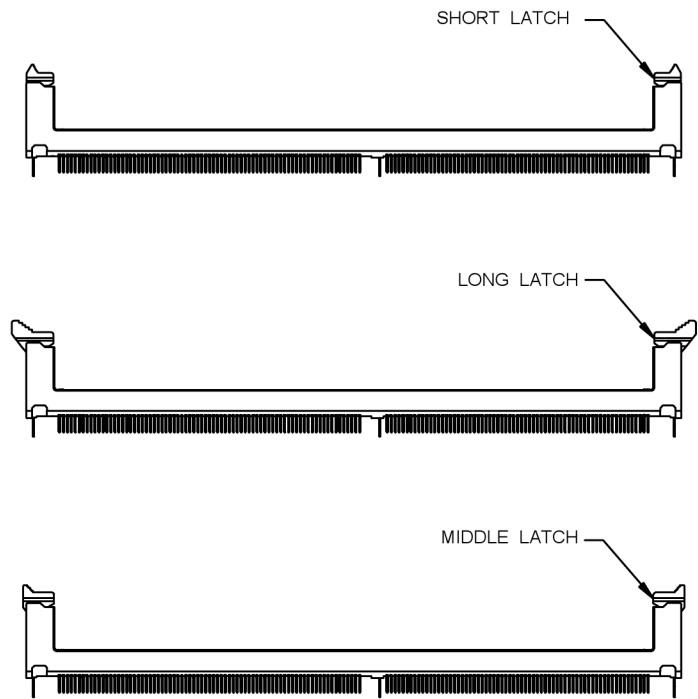
广东星坤科技股份有限公司

Δ#	日期
ΔX	日期
ΔX	日期
MARK	DESCRIPTION
文件	工程章

MARK	DESCRIPTION	DATE	REVISED	APPROVED	UNSPECIFIED TOLERANCES
	REVISIONS				
					ANGLAR ±5°
					L ≤ 4 ±0.2
					4 < L ≤ 16 ±0.3
					16 < L ≤ 63 ±0.4
					L > 63 ±0.5



DSND	SCALE: N/A	MODEL TYPE:
DWN	VIEW:	PART NO.: X9405WV-288XX-46V15
CHKD	UNIT: mm/in	DWG NO.: X-X9405WV-288XX-46V15
APPD	SIZE: A4	WEIGHT SHEET REVISION
XKB INDUSTRIAL PRECISION CO., LIMITED		1/1 A0



147.30	162.00	LONG
142.35	156.00	MIDDLE
140.80	152.00	SHORT
DIM.B±0.30	DIM.A	LATCH TYPE

NOTES 注释:

1. MATERIAL材料:

- 1.1 HOUSING外壳:PA66, UL94 V-0, COLOR:SEE PART NO.
- 1.2 LATCH锁:PA66, UL94 V-0, COLOR: SEE PART NO..
- 1.3 CONTACTS触点: COPPER ALLOY.
- 1.4 BOARDLOCK针脚: SUS.

2. FINISH饰面:

- 2.1 CONTACT触点:  
[SEE PART NO.] GOLD PLATING ON THE CONTACT AREA.  
2.54um [100u"] MIN. MATTE-TIN PLATING ON THE SOLDERING AREA  
1.27um [50u"] MIN. NICKEL UNDERPLATING OVERALL.

X9405 W V - 288 X X - 46 V15  
 ① ② ③ ④ ⑤ ⑥ ⑦ ⑧

- 1.Series Number
- 2.Terminal form: W-Wafer
- 3.Welding Board Angle : V-Stright Angle 180°
- 4.No.of Pins: XX-288 Pin
- 5.Board lock:H-2.67mm ; I-3.18mm ; J-2.4mm
- 6.Latch Type: 1.short latch;2.long latch;3.middle Latch
- 7.latchPlastic material: PA46 /PA9T UL94V-0
- 8.Contact Plating:V01-Gold Flash  
V15-Gold 15u"  
V30-Gold 30u"

广东星坤科技股份有限公司

Δ建	日期
Δ改	
Δ文	

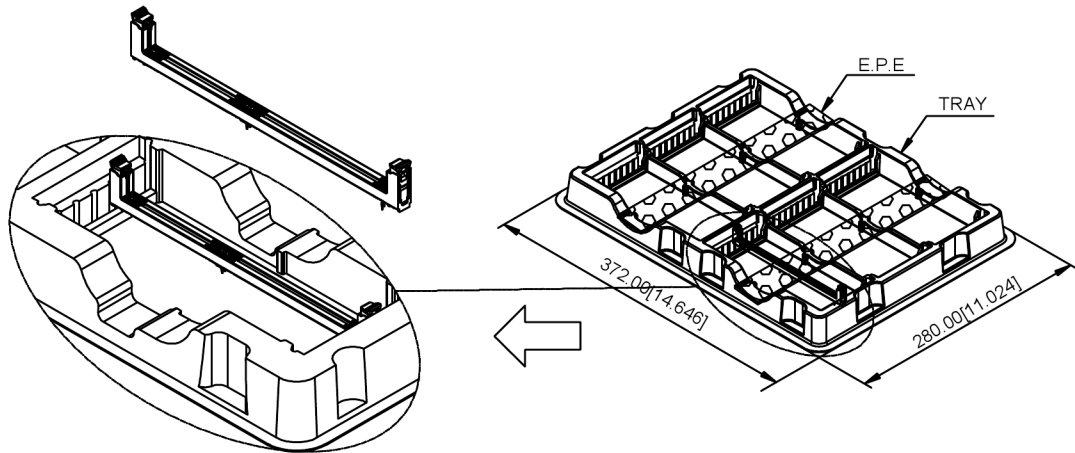
文件工程章

MARK	DESCRIPTION	DATE	REVISED	APPROVED	ANGLAR	±5°
					L ≤ 4	±0.2
					4 < L ≤ 16	±0.3
					16 < L ≤ 63	±0.4
					L > 63	±0.5

UNSPECIFIED TOLERANCES



DSND		SCALE: N/A	MODEL TYPE:
DWN		VIEW:	PART NO.: X9405WV-288XX-46V15
CHKD		UNIT: mm/in	DWG NO.: X-X9405WV-288XX-46V15
APPD		SIZE: A4	WEIGHT
XKB INDUSTRIAL PRECISION CO.,LIMITED			SHEET
			REVISION
			1/1
			A0



7.2KG	4.2KG	54	11	540
GROSS WEIGHT	NET WEIGHT	PCS/ TRAY	TRAY/ BOX	PCS/ BOX

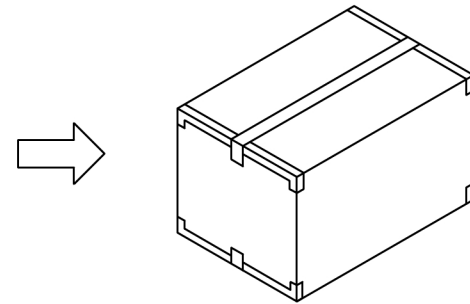
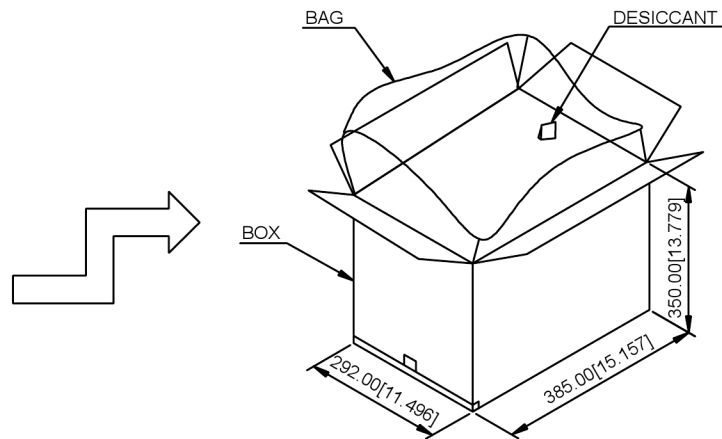
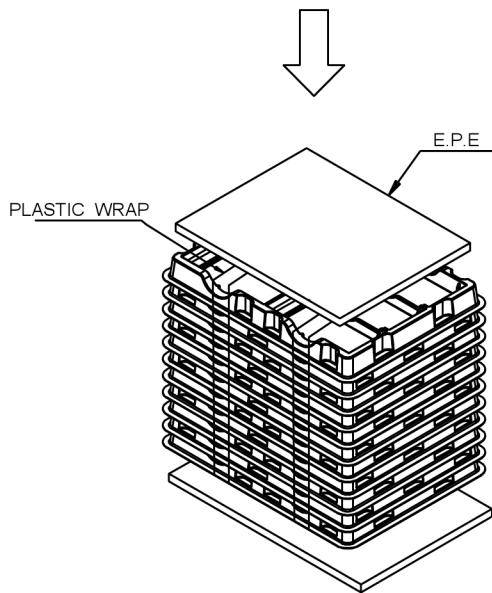
NOTES 注释:

1. MATERIAL 材料:

1.1 TRAY: PVC, COLOR: TRANSPARENT.

1.2 BOX: CORRUGATED FIBER.

1.3 TRANSPARENT BAG: PE, SIZE: 640mm\*510mm\*0.06mm.



广东星坤科技股份有限公司

Δ建	日期
Δ改	日期
ΔX	
MARK	DESCRIPTION
文件工程草	REVISIONS

					ANGLAR	±5°
					L ≤ 4	±0.2
					4 < L ≤ 16	±0.3
					16 < L ≤ 63	±0.4
					L > 63	±0.5
					UNSPECIFIED TOLERANCES	



DSND	SCALE: N/A
DWN	VIEW:
CHKD	UNIT: mm/in
APPD	SIZE: A4

MODEL TYPE:		
PART NO.: X9405WV-288XX-46V15		
DWG NO.: X-X9405WV-288XX-46V15		
WEIGHT	SHEET	REVISION
	1/1	A0

XKB INDUSTRIAL PRECISION CO., LIMITED

## X-ON Electronics

Largest Supplier of Electrical and Electronic Components

*Click to view similar products for [DIMM Connectors](#) category:*

*Click to view products by [XKB](#) manufacturer:*

Other Similar products are found below :

[1-1932649-2](#) [296409204002856+](#) [5390471-1](#) [10079248-10202LF](#) [2309407-3](#) [10037402-11207LF](#) [10052286-13308LF](#) [10083950-10007](#)  
[10124632-0101103LF](#) [10124632-0201001LF](#) [10124632-0202001LF](#) [56441-30007LF](#) [1-1473776-7](#) [20912-115110C](#) [XDAP-4042044-20401](#)  
[20912-215110C](#) [ASAA826-E8SB0-7H](#) [X9413WVS-288T2-9TV15](#) [X9405WV-288I2-46V15](#) [X9405WV-288I2-46V30](#) [X9414WVS-288T2-](#)  
[9TV30](#) [X9413WVS-288T2M-9TV15](#) [X9413WVS-288T2-9TV30](#) [X9414WVS-288T2-9TV15](#) [78035-0001](#) [78035-0301](#) [78315-0011](#) [78730-](#)  
[1002](#) [78726-1002](#) [10078239-11103LF](#) [2013311-1](#) [4-1932000-8](#) [10079192-11102LF](#) [10116658-052FSLF](#) [10116658-152FSLF](#) [1-1735413-1](#)  
[1-1735438-1](#) [2013310-1](#) [2013289-1](#) [390111-1](#) [390112-1](#) [878030102](#) [879180202](#) [78373-0011](#) [2308107-1](#) [2309411-1](#) [5-1746530-4](#) [2309408-](#)  
[1](#) [2309412-1](#) [2309407-1](#)