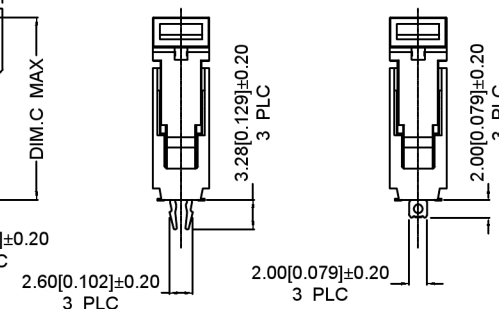
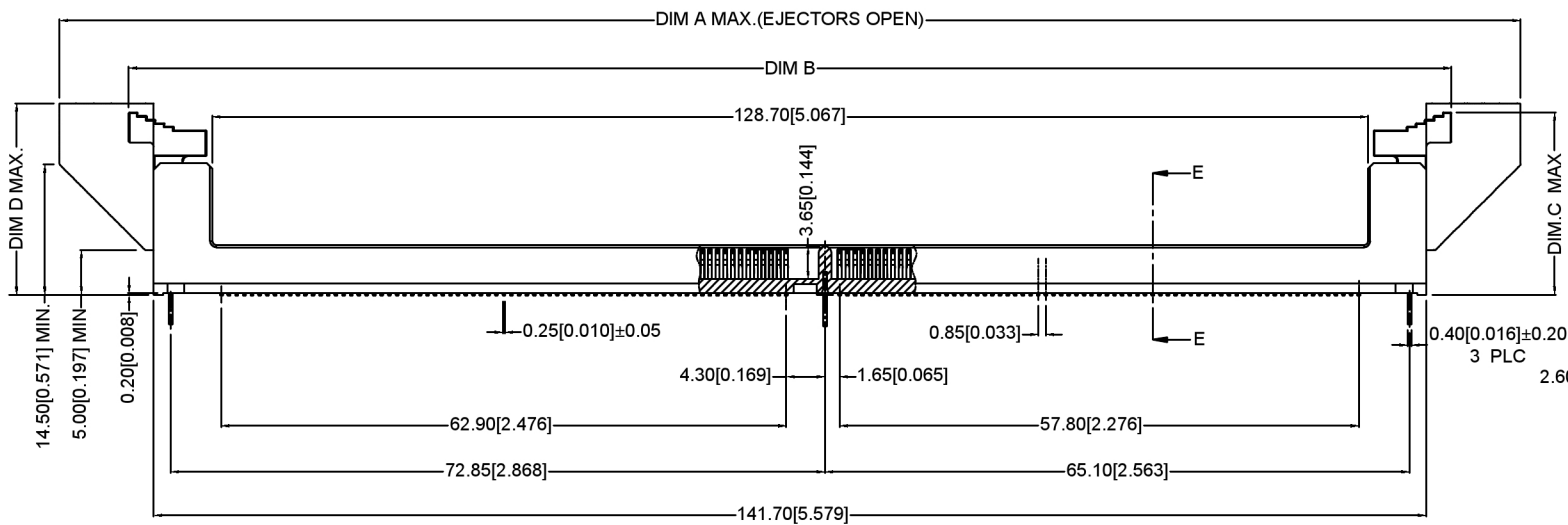


SECTION E-E  
SCALE 2:1



BOARDLOCKS TYPE

TAB TYPE

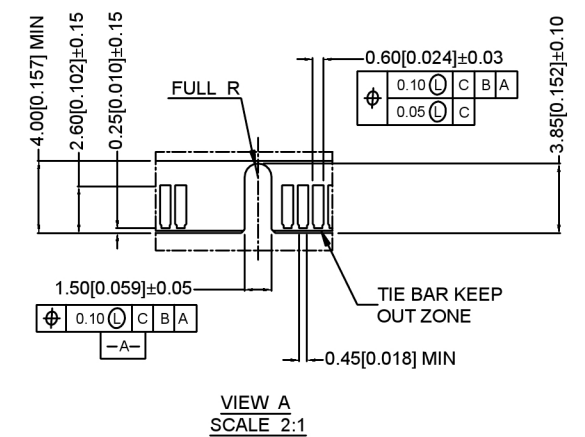
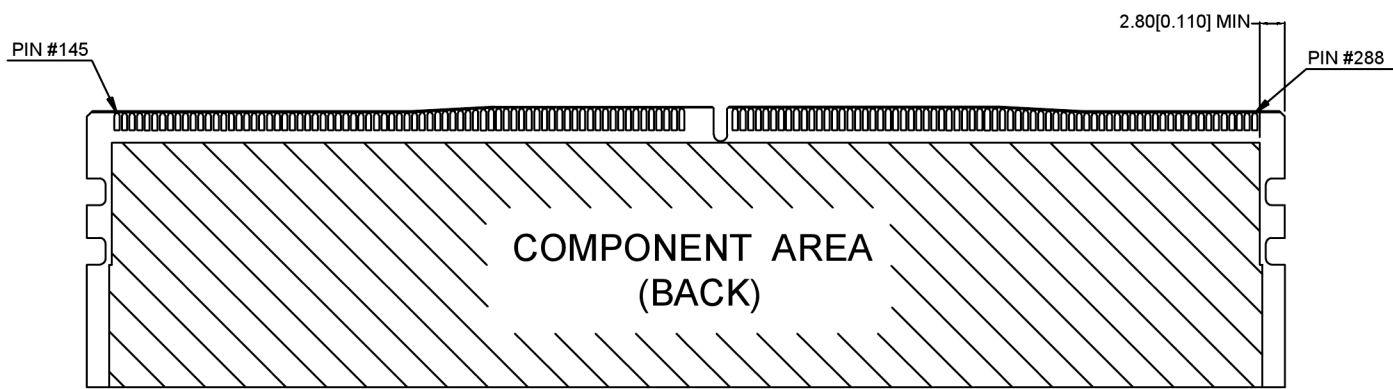
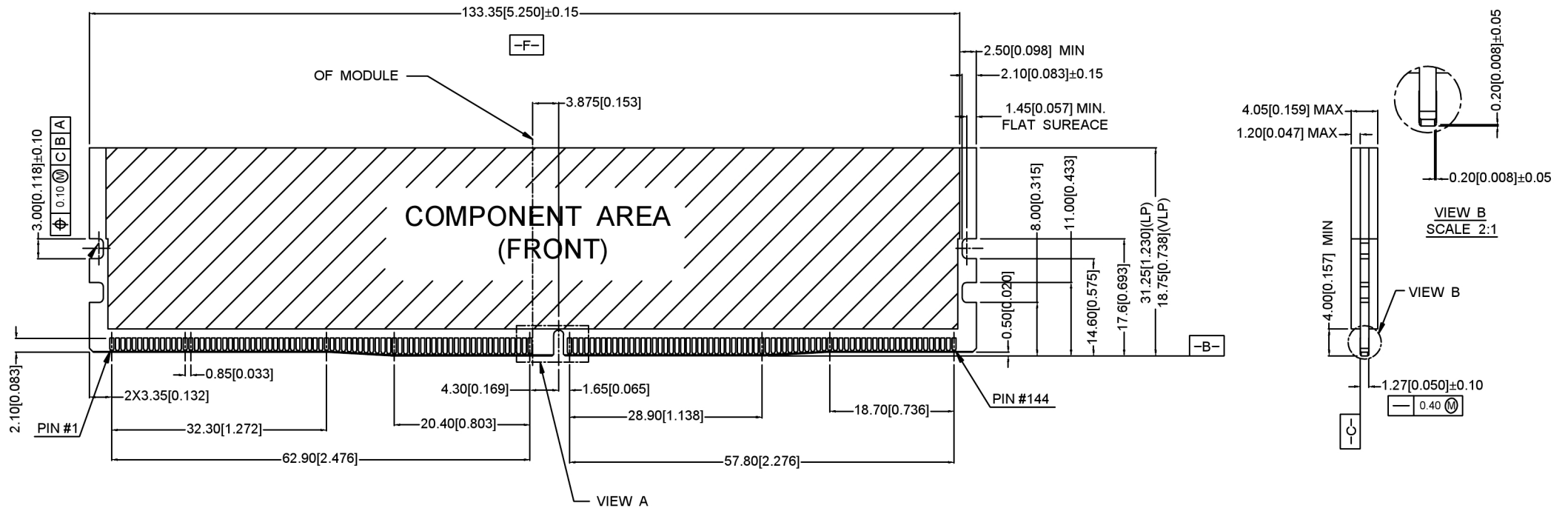
广东星坤科技股份有限公司  
文件工程章

MARK	DESCRIPTION	DATE	REVISED	APPROVED	UNSPECIFIED TOLERANCES
Δ					ANGLAR ±5°
Δ					L ≤ 4 ±0.2
Δ					4 < L ≤ 16 ±0.3
Δ					16 < L ≤ 63 ±0.4
Δ					L > 63 ±0.5
	REVISIONS				



DSND	SCALE: N/A	MODEL TYPE:
DWN	VIEW:	PART NO.: X9413WVS-288XX-9TV15
CHKD	UNIT: mm/in	DWG NO.: X-X9413WVS-288XX-9TV15
APPD	SIZE: A4	WEIGHT SHEET REVISION
		1/1 A0

XKB INDUSTRIAL PRECISION CO., LIMITED



广东星坤科技股份有限公司

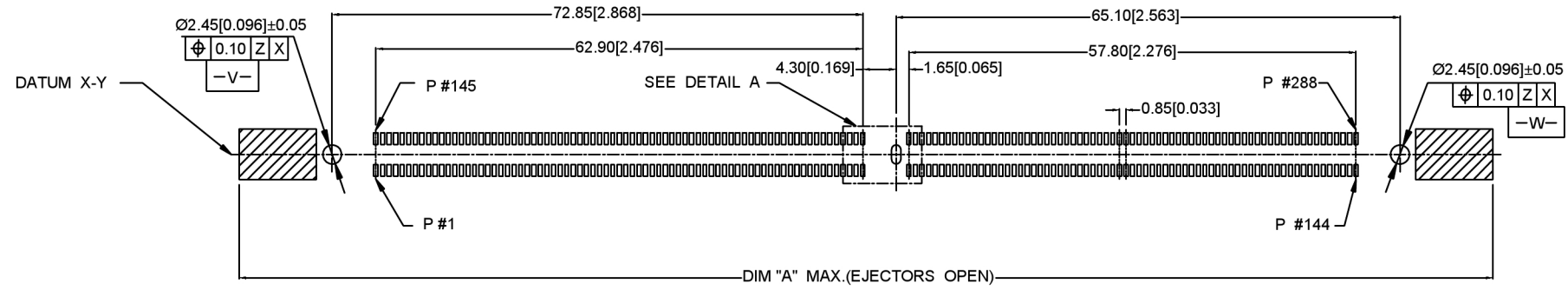
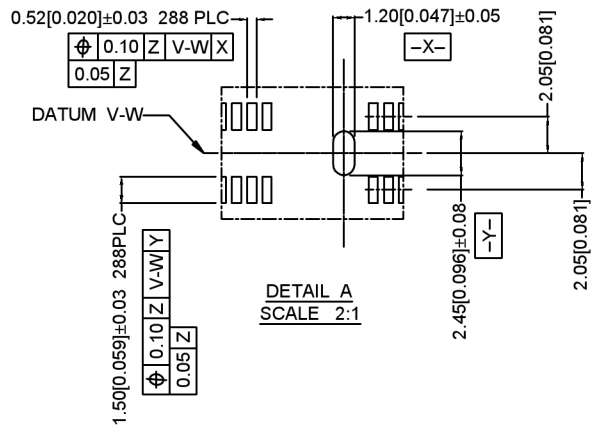
文件工程章

MARK	DESCRIPTION	DATE	REVISED	APPROVED	UNSPECIFIED TOLERANCES
Δ年					ANGULAR ±5°
Δ月					L ≤ 4 ±0.2
Δ日					4 < L ≤ 16 ±0.3
Δ数					16 < L ≤ 63 ±0.4
					L > 63 ±0.5
	REVISIONS				

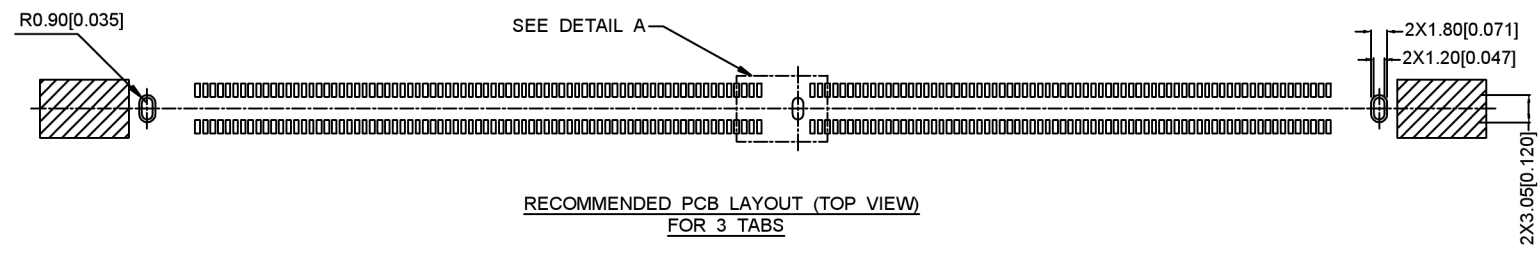


DSND	SCALE: N/A	MODEL TYPE:
DWN	VIEW:	PART NO.: X9413WVS-288XX-9TV15
CHKD	UNIT: mm/in	DWG NO.: X-X9413WVS-288XX-9TV15
APPD	SIZE: A4	WEIGHT SHEET REVISION
		1/1 A0

XKB INDUSTRIAL PRECISION CO., LIMITED



RECOMMENDED PCB LAYOUT (TOP VIEW)  
FOR 3 BOARDLOCKS



RECOMMENDED PCB LAYOUT (TOP VIEW)  
FOR 3 TABS

-Z-

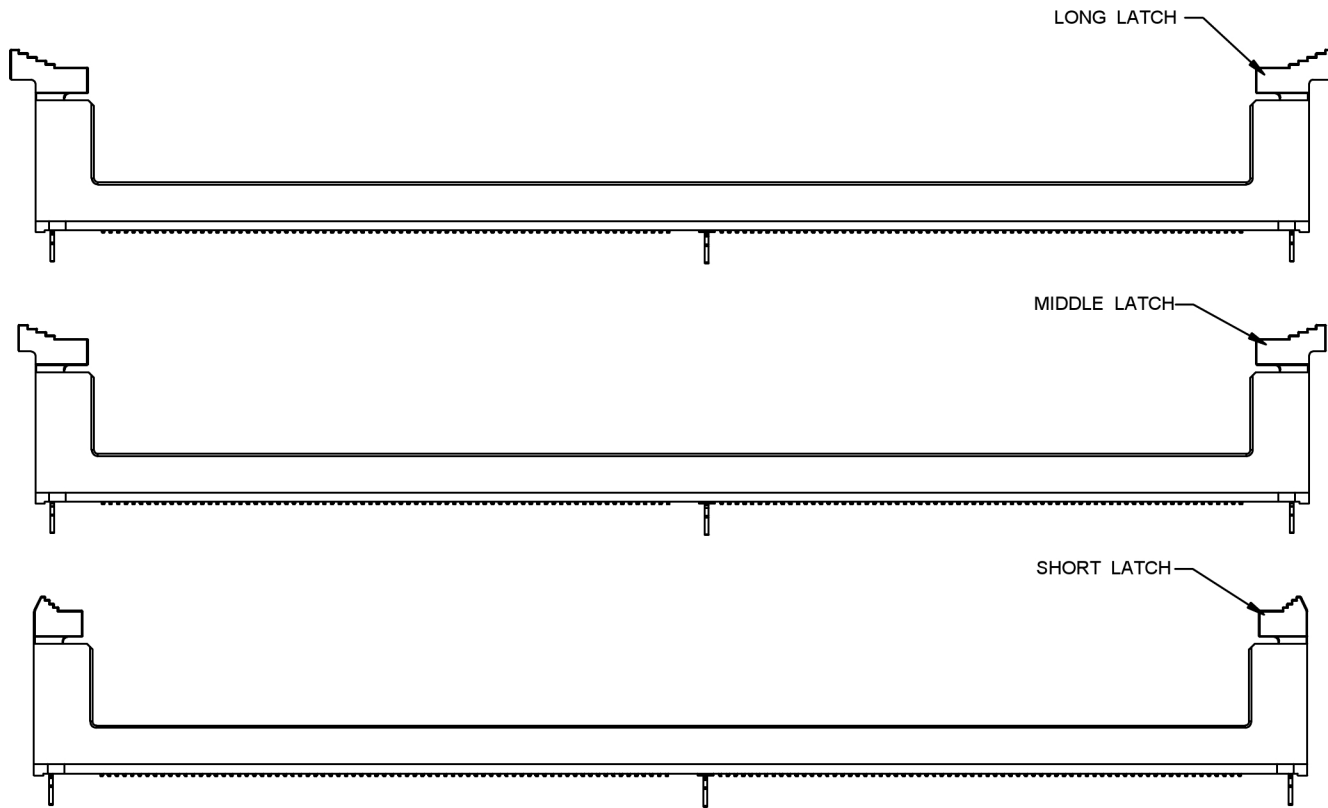
广东星坤科技股份有限公司

Δ*	日期
Δ*	日期
Δ*	日期
MARK	DESCRIPTION
文件	工程章

					ANGLAR	±5°
					L ≤ 4	±0.2
					4 < L ≤ 16	±0.3
					16 < L ≤ 63	±0.4
					L > 63	±0.5
REVISIONS						UNSPECIFIED TOLERANCES
www.helloxkb.com www.helloxkb.cn www.xk-dg.cn						



DSND		SCALE: N/A	MODEL TYPE:
DWN		VIEW:	PART NO.: X9413WVS-288XX-9TV15
CHKD		UNIT: mm/in	DWG NO.:
APPD		SIZE: A4	X-X9413WVS-288XX-9TV15
KKB INDUSTRIAL PRECISION CO., LIMITED			WEIGHT SHEET REVISION
			1/1 A0



21.75	20.70	147.30	162.00	LONG
21.00	20.30	142.35	156.00	MIDDLE
20.50	20.20	140.80	152.00	SHORT
DIM.D	DIM.C	DIM.B±0.30	DIM.A	LATCH TYPE

X9413 W V S - 288 X X X -9T V15  
 ① ② ③ ④ ⑤ ⑥ ⑦ ⑧ ⑨ ⑩

1. Series Number
2. Terminal form: W-Wafer
3. Welding Board Angle : V-Stright Angle 180°
4. Welding Way: S-SMT
5. No. of Pins: XX-288 Pin
6. Board Lock Type: B-Board Locks Type; T-TAB type
7. Latch Type: 1. short latch; 2. long latch; 3. middle Latch
8. Special No: M-With Mylar ; Blank-without Mylar
9. latch Plastic material: PA46 /PA9T UL94V-0
10. Contact Plating: V01-Gold Flash  
 V15-Gold 15u"  
 V30-Gold 30u"

NOTES 注释:

1. MATERIAL 材料:

- 1.1 HOUSING 外壳: HIGH PERFORMANCE RESINS, GLASS FILBER, UL94V-0; COLOR: SEE PART NO.
- 1.2 LATCH 锁: HIGH PERFORMANCE RESINS, GLASS FILBER, UL94 V-O, COLOR: SEE PART NO.
- 1.3 CONTACTS 触点: COPPER ALLOY.
- 1.4 BOARDLOCK 针脚: STAINLESS STEEL.
- 1.5 TABS 标签: STAINLESS STEEL.

2. FINISH 饰面:

2.1 CONTACT 触点:

- [SEE PART NO..] GOLD PLATING ON THE CONTACT AREA.  
 2.54um [100u"] MIN. MATTE-TIN PLATING ON THE SOLDERING AREA  
 1.27um [50u"] MIN. NICKEL UNDERPLATING OVERALL.

广东星坤科技股份有限公司

DATE	日期
REVISIONS	文件工程章

www.helloxkb.com www.helloxkb.cn www.xk-dg.cn

ANGLAR	±5°
L ≤ 4	±0.2
4 < L ≤ 16	±0.3
16 < L ≤ 63	±0.4
L > 63	±0.5
UNSPECIFIED TOLERANCES	



DSND	SCALE: N/A	MODEL TYPE:
DWN	VIEW:	PART NO.: X9413WVS-288XX-9TV15
CHKD	UNIT: mm/in	DWG NO.: X-X9413WVS-288XX-9TV15
APPD	SIZE: A4	WEIGHT SHEET REVISION
XKB INDUSTRIAL PRECISION CO., LIMITED		1/1 A0

## X-ON Electronics

Largest Supplier of Electrical and Electronic Components

*Click to view similar products for [DIMM Connectors](#) category:*

*Click to view products by [XKB](#) manufacturer:*

Other Similar products are found below :

[1-1932649-2](#) [296409204002856+](#) [5390471-1](#) [10079248-10202LF](#) [2309407-3](#) [10037402-11207LF](#) [10052286-13308LF](#) [10083950-10007](#)  
[10124632-0101103LF](#) [10124632-0201001LF](#) [10124632-0202001LF](#) [56441-30007LF](#) [1-1473776-7](#) [20912-115110C](#) [XDAP-4042044-20401](#)  
[20912-215110C](#) [ASAA826-E8SB0-7H](#) [X9413WVS-288T2-9TV15](#) [X9405WV-288I2-46V15](#) [X9405WV-288I2-46V30](#) [X9414WVS-288T2-](#)  
[9TV30](#) [X9413WVS-288T2M-9TV15](#) [X9413WVS-288T2-9TV30](#) [X9414WVS-288T2-9TV15](#) [78035-0001](#) [78035-0301](#) [78315-0011](#) [78730-](#)  
[1002](#) [78726-1002](#) [10078239-11103LF](#) [2013311-1](#) [4-1932000-8](#) [10079192-11102LF](#) [10116658-052FSLF](#) [10116658-152FSLF](#) [1-1735413-1](#)  
[1-1735438-1](#) [2013310-1](#) [2013289-1](#) [390111-1](#) [390112-1](#) [878030102](#) [879180202](#) [78373-0011](#) [2308107-1](#) [2309411-1](#) [5-1746530-4](#) [2309408-](#)  
[1](#) [2309412-1](#) [2309407-1](#)