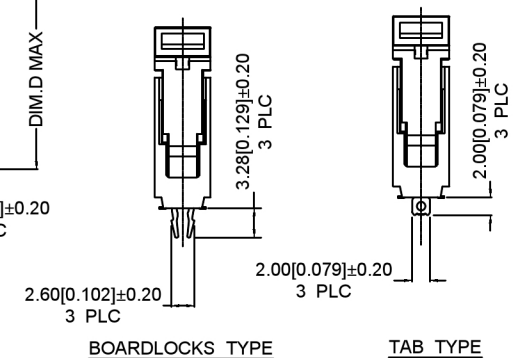
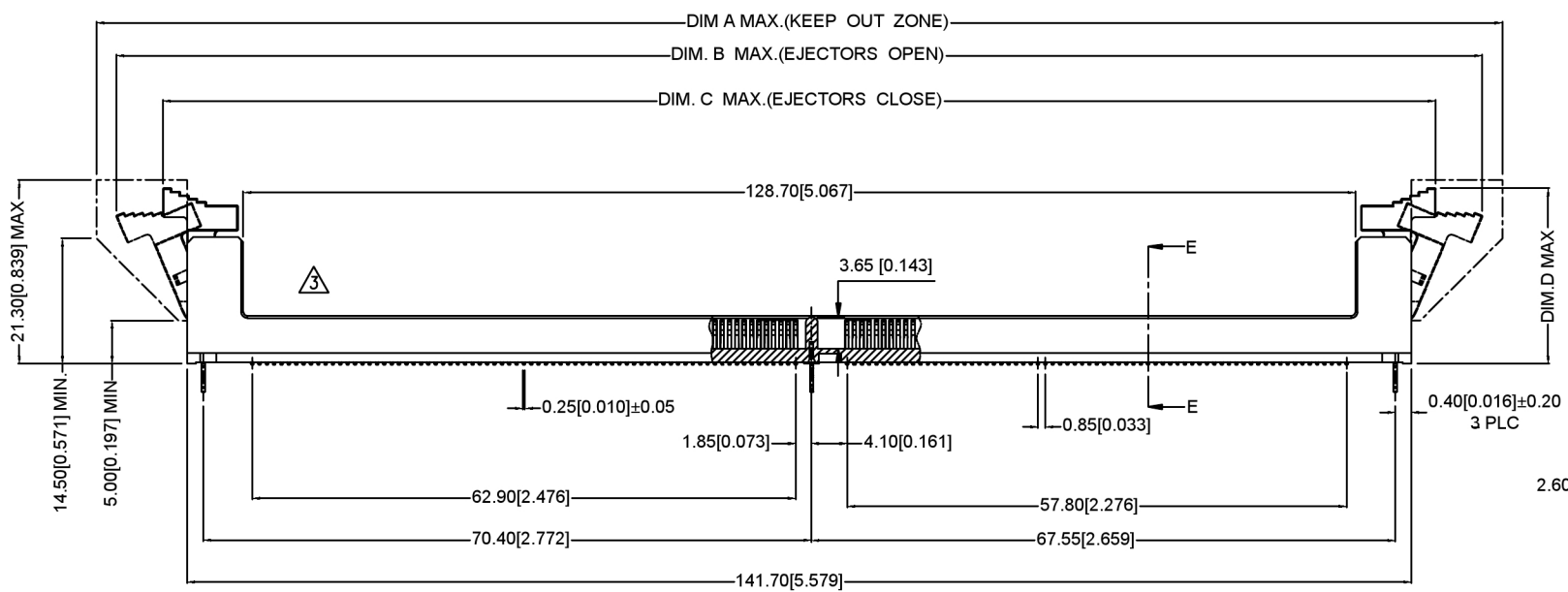


SECTION E-E  
SCALE 2:1



BOARDLOCKS TYPE

TAB TYPE

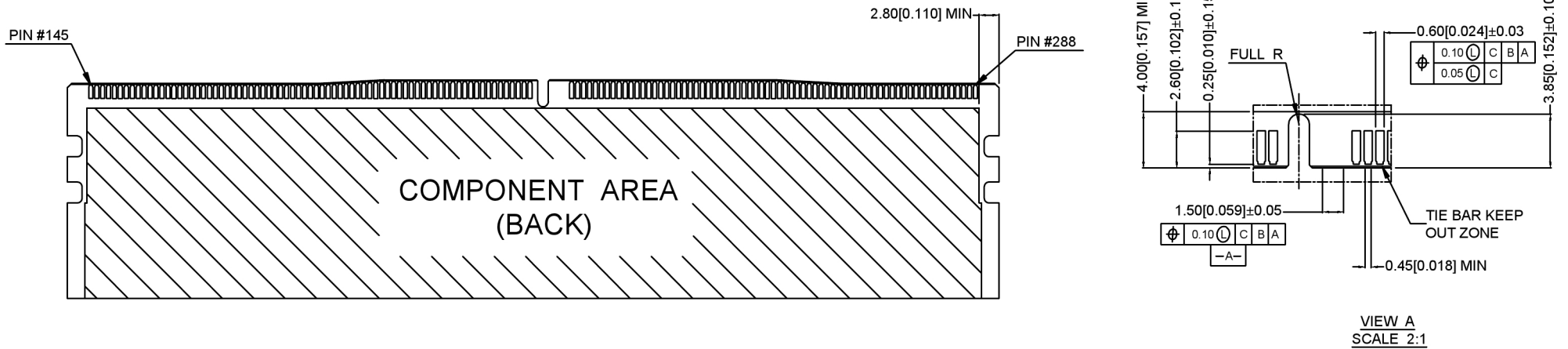
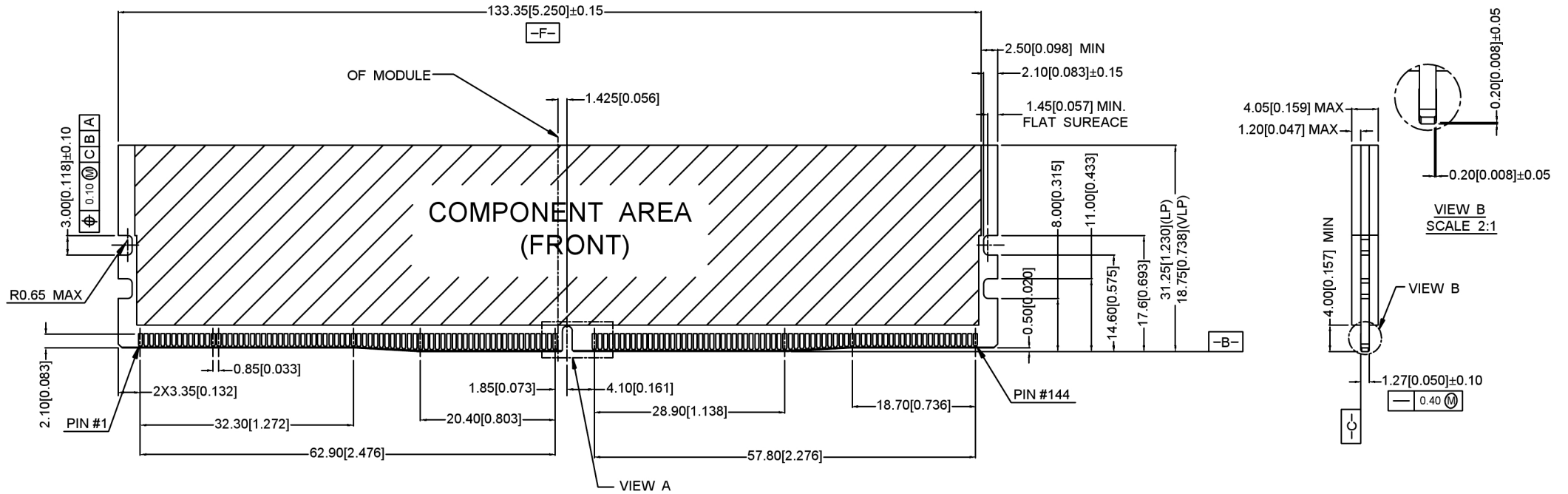
广东星坤科技股份有限公司

姓名	日期
数量	日期
MARK	DESCRIPTION
文件工程章	

MARK	DESCRIPTION	DATE	REVISED	APPROVED	UNSPECIFIED TOLERANCES
	REVISIONS				
					ANGULAR ±5°
					L ≤ 4 ±0.2
					4 < L ≤ 16 ±0.3
					16 < L ≤ 63 ±0.4
					L > 63 ±0.5



DSND	SCALE: N/A	MODEL TYPE:
DWN	VIEW:	PART NO.: X9414WVS-288XX-9TV15
CHKD	UNIT: mm/in	DWG NO.: X-X9414WVS-288XX-9TV15
APPD	SIZE: A4	WEIGHT SHEET REVISION
XKB INDUSTRIAL PRECISION CO., LIMITED		1/1 A0



广东星坤科技股份有限公司

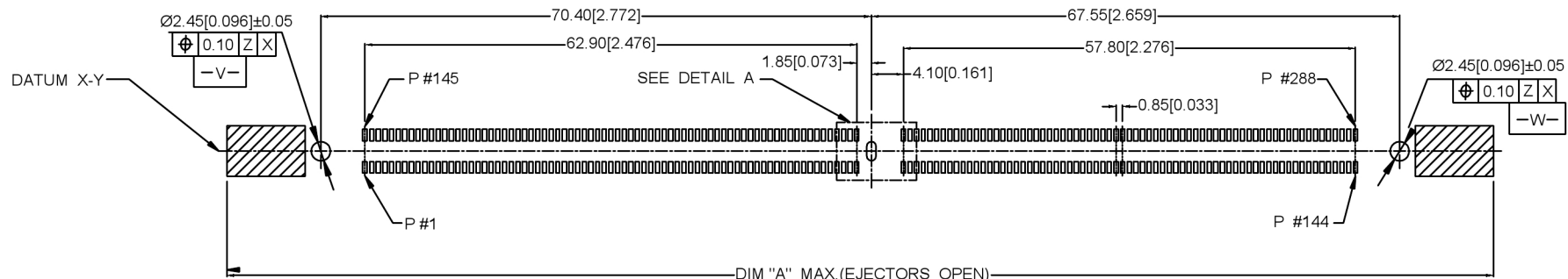
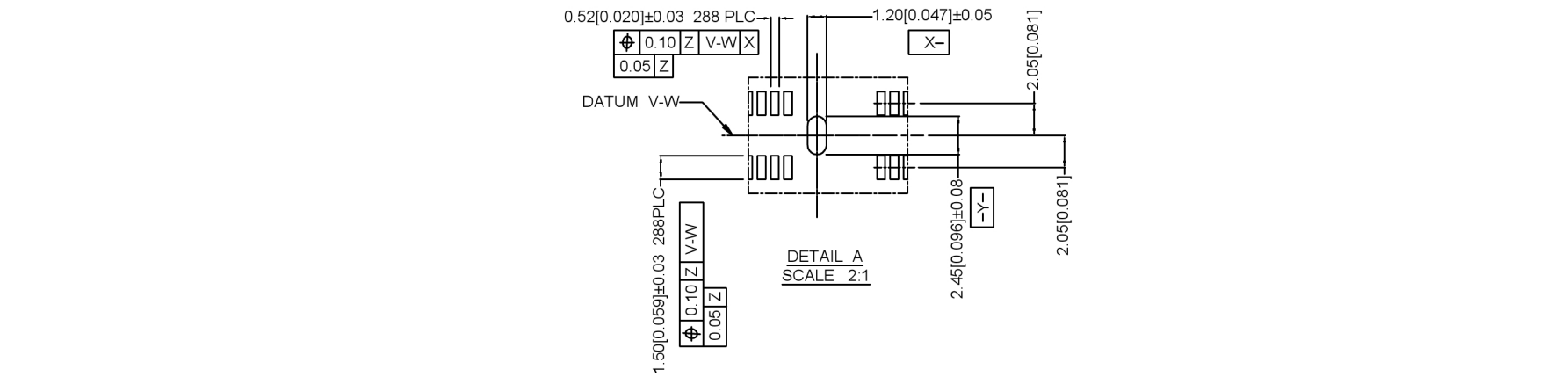
Δ建	日期
Δ改	日期
ΔX	

文件工程章

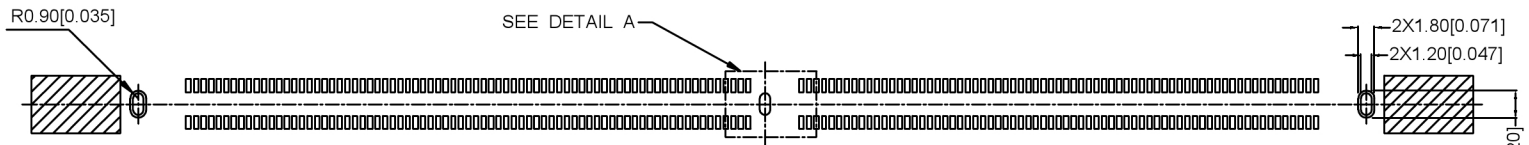
MARK	DESCRIPTION	DATE	REVISED	APPROVED	ANGLAR	±5°
					L ≤ 4	±0.2
					4 < L ≤ 16	±0.3
					16 < L ≤ 63	±0.4
					L > 63	±0.5
UNSPECIFIED TOLERANCES						



DSND	SCALE: N/A	MODEL TYPE:
DWN	VIEW:	PART NO.: X9414WVS-288XX-9TV15
CHKD	UNIT: mm/in	DWG NO.: X-X9414WVS-288XX-9TV15
APPD	SIZE: A4	WEIGHT
XKB INDUSTRIAL PRECISION CO., LIMITED		SHEET
		REVISION
		1/1
		A0



RECOMMENDED PCB LAYOUT (TOP VIEW)  
FOR 3 BOARDLOCKS



RECOMMENDED PCB LAYOUT (TOP VIEW)  
FOR 3 TABS

-Z-

广东星坤科技股份有限公司

Δ年		日期
Δ月		
Δ日		

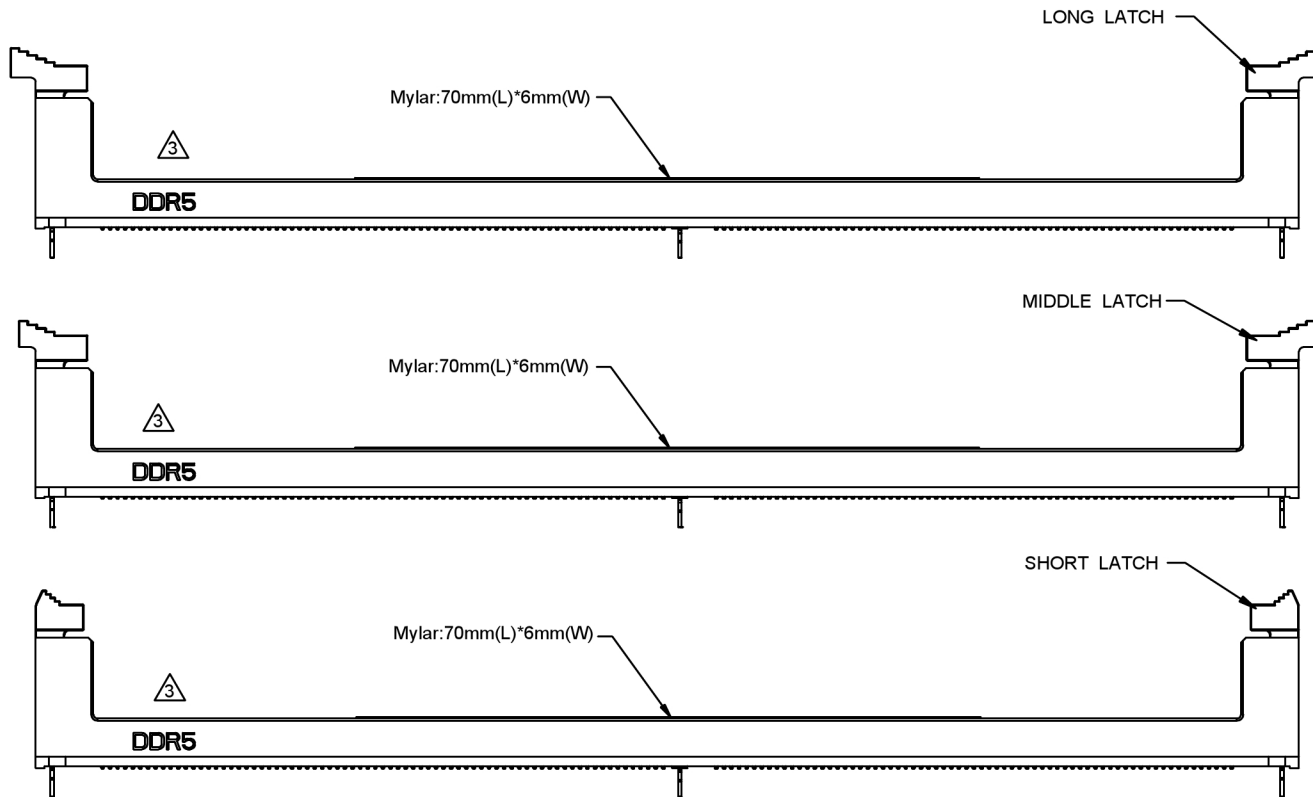
文件工程章

MARK	DESCRIPTION	DATE	REVISED	APPROVED	UNSPECIFIED TOLERANCES
	REVISIONS				
					ANGLAR ±5°
					L ≤ 4 ±0.2
					4 < L ≤ 16 ±0.3
					16 < L ≤ 63 ±0.4
					L > 63 ±0.5



DSND		SCALE: N/A	MODEL TYPE:
DWN		VIEW:	PART NO.: X9414WVS-288XX-9TV15
CHKD		UNIT: mm/in	DWG NO.: X-X9414WVS-288XX-9TV15
APPD		SIZE: A4	WEIGHT SHEET REVISION
			1/1 A0

XKB INDUSTRIAL PRECISION CO., LIMITED



20.70	147.50	158.50	162.00	LONG
20.30	145.50	156.00	156.00	MIDDLE
20.20	142.00	151.50	152.00	SHORT
DIM.D	DIM.C	DIM.B	DIM.A	LATCH TYPE

**X9414 W V S - 288 X X - 9T V15**

- ① ② ③ ④ ⑤ ⑥ ⑦ ⑧ ⑨
- ① Series Number
  - ② Terminal form: WAFER
  - ③ Welding Board Angle : V-Stright Angle 180°
  - ④ Welding Way:S-SMT
  - ⑤ No.of Pins: 288PIN
  - ⑥ BOARDLOCK TYPE: B.BOARD LOCKS TYPE  
T.TAB type
  - ⑦ LATCH TYPE: 1.short latch;2.long latch;3.middle latch
  - ⑧ Plastic material: PA9T
  - ⑨ Contact Plating:V15 Gold15"u"  
V30 Gold 30"u"

NOTES 注释:

1. MATERIAL材料:
  - 1.1 HOUSING外壳: HIGH PERFORMANCE RESINS, GLASS FILBER,UL94V-0;COLOR:BLACK.
  - 1.2 LATCH锁: HIGH PERFORMANCE RESINS, GLASS FILBER, UL94 V-O;COLOR: BLACK.
  - 1.3 CONTACTS触点: COPPER ALLOY.
  - 1.4 BOARDLOCK针脚: STAINLESS STEEL.
  - 1.5 TABS标签: STAINLESS STEEL.
2. FINISH饰面:
  - 2.1 CONTACT触点:  
[SEE PART NO..] GOLD PLATING ON THE CONTACT AREA.  
2.54um [100u"] MIN. MATTE-TIN PLATING ON THE SOLDERING AREA  
1.27um [50u"] MIN. NICKEL UNDERPLATING OVERALL.

广东星坤科技股份有限公司

DATE	日期
REVISION	REVISED

文件工程章

ANGLAR	±5°
L ≤ 4	±0.2
4 < L ≤ 16	±0.3
16 < L ≤ 63	±0.4
L > 63	±0.5
UNSPECIFIED TOLERANCES	



DSND	SCALE: N/A	MODEL TYPE:
DWN	VIEW:	PART NO.: X9414WVS-288XX-9TV15
CHKD	UNIT: mm/in	DWG NO.: X-X9414WVS-288XX-9TV15
APPD	SIZE: A4	WEIGHT
XKB INDUSTRIAL PRECISION CO., LIMITED		SHEET
		REVISION
		1/1
		A0

## X-ON Electronics

Largest Supplier of Electrical and Electronic Components

*Click to view similar products for [DIMM Connectors](#) category:*

*Click to view products by [XKB](#) manufacturer:*

Other Similar products are found below :

[1-1932649-2](#) [296409204002856+](#) [5390471-1](#) [10079248-10202LF](#) [2309407-3](#) [10037402-11207LF](#) [10052286-13308LF](#) [10083950-10007](#)  
[10124632-0101103LF](#) [10124632-0201001LF](#) [10124632-0202001LF](#) [56441-30007LF](#) [1-1473776-7](#) [20912-115110C](#) [XDAP-4042044-20401](#)  
[20912-215110C](#) [ASAA826-E8SB0-7H](#) [X9413WVS-288T2-9TV15](#) [X9405WV-288I2-46V15](#) [X9405WV-288I2-46V30](#) [X9414WVS-288T2-](#)  
[9TV30](#) [X9413WVS-288T2M-9TV15](#) [X9413WVS-288T2-9TV30](#) [X9414WVS-288T2-9TV15](#) [78035-0001](#) [78035-0301](#) [78315-0011](#) [78730-](#)  
[1002](#) [78726-1002](#) [10078239-11103LF](#) [2013311-1](#) [4-1932000-8](#) [10079192-11102LF](#) [10116658-052FSLF](#) [10116658-152FSLF](#) [1-1735413-1](#)  
[1-1735438-1](#) [2013310-1](#) [2013289-1](#) [390111-1](#) [390112-1](#) [878030102](#) [879180202](#) [78373-0011](#) [2308107-1](#) [2309411-1](#) [5-1746530-4](#) [2309408-](#)  
[1](#) [2309412-1](#) [2309407-1](#)