

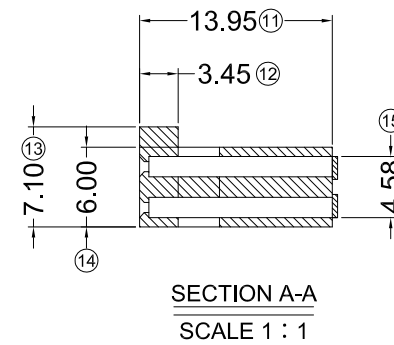
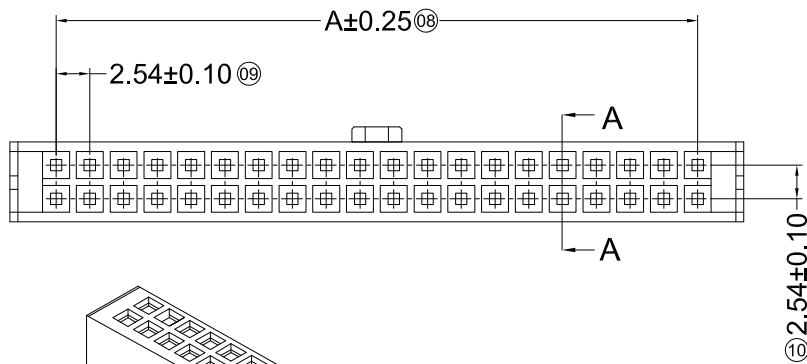
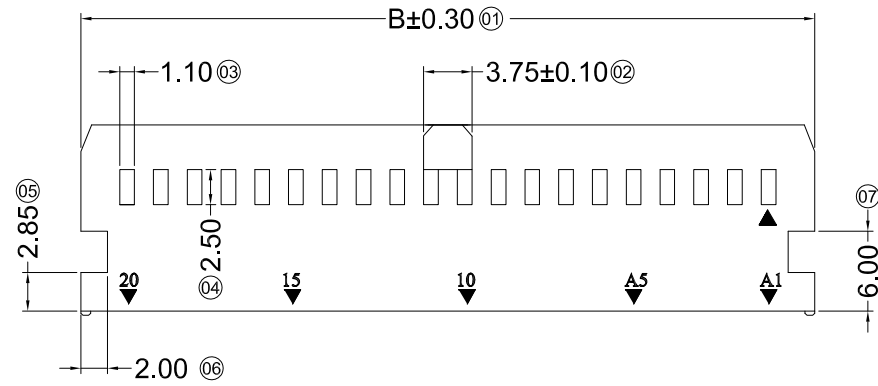
Specifications :

- Voltage rating: 250V AC / DC
- Current rating: 3A AC / DC
- Withstanding voltage: 1500V AC/minute
- Temperature range: -25°C~+85°C
- Insulation resistance: ≥1000MΩ
- Contact resistance: ≤20mΩ
- After environmental testing: ≤30mΩ

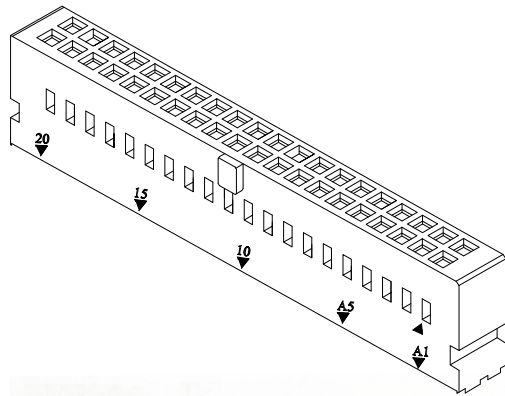
X9555 H X-2*XX A-PT XX

① ② ③ ④ ⑤ ⑥ ⑦

- ① Series No.
- ② Category: H-HSG
- ③ Welding Board Angle: Blank-ordinary
- ④ Row No.-Pin No.: 2*XX-2*02P~2*32P
- ⑤ Special No. :A-Single convex (HRS 2.54)
- ⑥ Material: PT-PBT 94V-0
- ⑦ Color: Blank-Natural Color



Poles	Dimensions (mm)		Poles	Dimensions (mm)		Poles	Dimensions (mm)	
	A	B		A	B		A	B
2*02	2.54	9.48	2*13	30.48	37.42	2*24	58.42	65.36
2*03	5.08	12.02	2*14	33.02	39.96	2*25	60.96	67.90
2*04	7.62	14.56	2*15	35.56	42.50	2*26	63.50	70.44
2*05	10.16	17.10	2*16	38.10	45.04	2*27	66.04	72.98
2*06	12.70	19.64	2*17	40.64	47.58	2*28	68.58	75.52
2*07	15.24	22.18	2*18	43.18	50.12	2*29	71.12	78.06
2*08	17.78	24.72	2*19	45.72	52.66	2*30	73.66	80.60
2*09	20.32	27.26	2*20	48.26	55.20	2*31	76.20	83.14
2*10	22.86	29.80	2*21	50.80	57.74	2*32	78.74	85.68
2*11	25.40	32.34	2*22	53.34	60.28			
2*12	27.94	34.88	2*23	55.88	62.82			



X9555H-2*XXA-PT	PBT UL 94V-0	X9555T	X9555W
PART NO	Material	Suitable XKB Terminal	Suitable XKB Terminal

For and on behalf of
XKB INDUSTRIAL PRECISION CO., LIMITED
香港星坤工業精密有限公司

△ X						ANGULAR	± 5°
△ X						L ≤ 4	± 0.2
△ X						4 < L ≤ 16	± 0.3
△ X						16 < L ≤ 63	± 0.4
MARK						L > 63	± 0.5
	DESCRIPTION	DATE	REVISED	APPROVED		UNSPECIFIED TOLERANCES	

DSND		DATE		SCALE: N/A	MODEL TYPE: X9555H-2*XXA-PT
DWN		DATE		VIEW:	PART NO.:
CHKD		DATE		UNIT: mm	2.54 mm Crimp Style Connectors
APPD		DATE		SIZE: A4	DWG NO.:
					WEIGHT 1.0g
					SHEET 1/1
					REVISION A0

Authorized Signature(s)

XKB INDUSTRIAL PRECISION CO., LIMITED

X-ON Electronics

Largest Supplier of Electrical and Electronic Components

Click to view similar products for [Headers & Wire Housings](#) category:

Click to view products by [XKB](#) manufacturer:

Other Similar products are found below :

[57102-F02-18ULF](#) [58102-G61-06LF](#) [0009485154](#) [009176003701906](#) [0050291907](#) [02.125.8002.8](#) [609-3404](#) [61062-3](#) [622-0430](#) [622-3653LF](#)
[63453-116](#) [636-1030](#) [636-1427](#) [636-3427](#) [636-4007](#) [641938-9](#) [644827-2](#) [65495-038](#) [65692-001LF](#) [65781-018](#) [65781-047](#) [65817-010LF](#)
[65817-015LF](#) [66207-023LF](#) [67016-026LF](#) [67095-007LF](#) [68631-112](#) [68645-018](#) [68648-049](#) [699319-000](#) [70.362.1628.0](#) [70-4210](#) [70-4226B](#)
[70-4853B](#) [707-5020](#) [707-5028](#) [71.350.2428.0](#) [71961-016LF](#) [733-134](#) [754199-000](#) [760-3052](#) [787-8014-00](#) [FCN-367T-T012/H](#) [80.063.4001.1](#)
[800-90-001-10-001000](#) [800-90-010-10-002000](#) [801-43-002-10-013000](#) [801-43-006-10-002000](#) [803-41-018-10-001000](#) [803-43-014-20-](#)
[001000](#)