

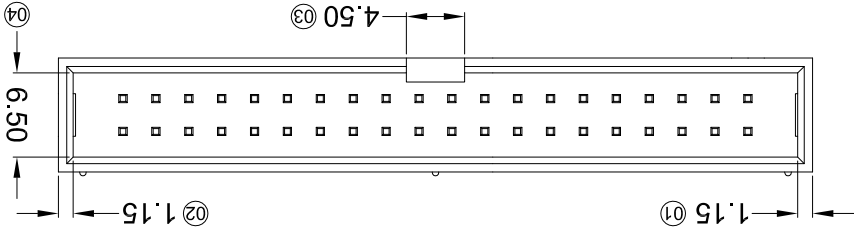
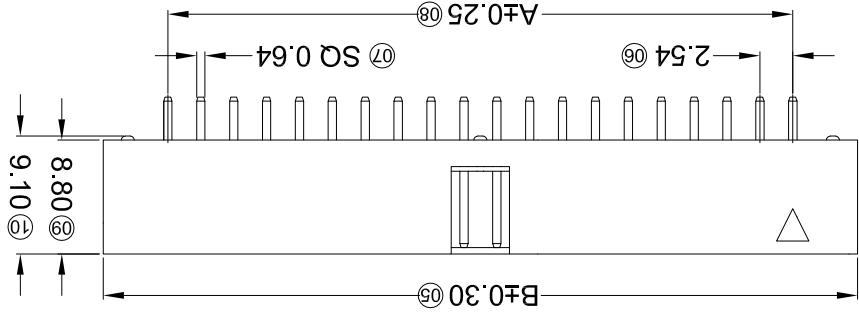
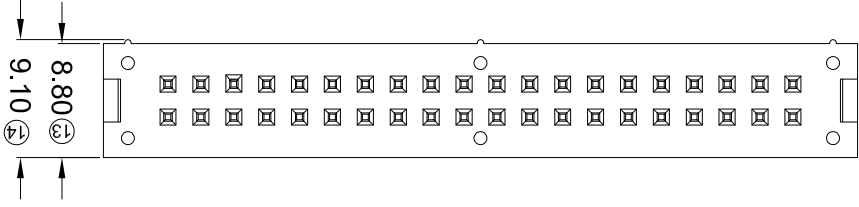
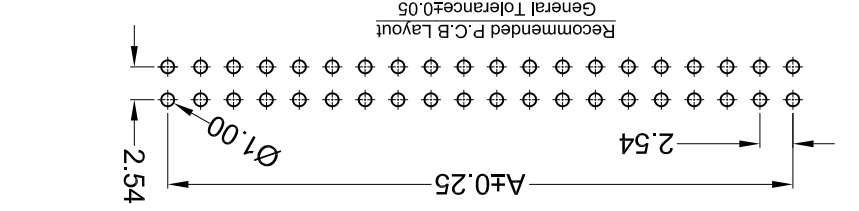
REVISIONS
Authorized Signatures(s)

MARK	DESCRIPTION	DATE	REVISED	APPROVED	UNSPECIFIED TOLERANCES
△ X					L > 63
△ X					16 > L ≤ 63
△ X					4 < L ≤ 16
△ X					L ≤ 4
					ANGULAR
					± 5°

For and on behalf of
KXB INDUSTRIAL PRECISION CO., LIMITED
香港星坤工業精密有限公司

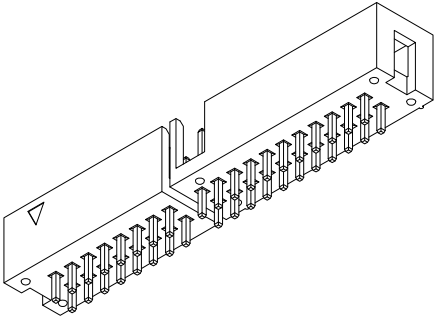
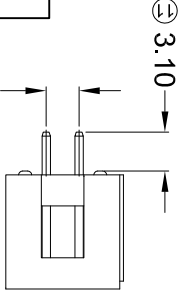
KXB INDUSTRIAL PRECISION CO., LIMITED

DATE	SCALE: N/A	MODEL TYPE: X9555WV-2*XX-PTV01
DATE	VIEW:	PART NO.:
DATE	UNIT: mm	DWG NO.:
DATE	SIZE: A4	2.54mm Crimp Style Connectors
WEIGHT	SHEET	REVISION
1.0g	1/1	A0



PART NO	Material	Material(Pin)	Finish(Pin)	Suitable XKB Terminal	Poles	
					A	B
X9555WV-2*XX-PTV01	PBT UL 94V-0	Brass	Gold-Flash	X9555H	2*02	2*10
					2*04	2*09
					2*06	2*08
					2*07	2*08
					2*08	2*08
					2*09	2*09
					2*10	2*10

Poles	Dimensions (mm)		Poles	Dimensions (mm)	
	A	B		A	B
2*02	2.54	12.68	2*11	25.40	35.71
2*03	5.08	15.22	2*12	27.94	38.25
2*04	7.62	17.76	2*13	30.50	40.65
2*05	10.16	20.30	2*14	33.04	43.19
2*06	12.70	22.84	2*15	35.56	45.80
2*07	15.24	25.38	2*16	38.10	48.34
2*08	17.78	27.92	2*17	40.64	50.78
2*09	20.32	30.46	2*18	43.18	53.32
2*10	22.86	33.00	2*19	45.72	56.26
					2*32
					78.74
					84.15
					81.26
					78.72
					76.18
					71.10
					68.56
					63.48
					58.40
					A
					B



- Specifications :**
- Voltage rating: 250V AC / DC
 - Current rating: 3A AC / DC
 - Withstanding voltage: 1500V AC/minute
 - Temperature range: -25°C~+85°C
 - Insulation resistance: ≥1000MΩ
 - Contact resistance: ≤20mΩ
 - After environmental testing: ≤30mΩ

X9555 W V X-2*XX X-PT V01 XX
 ① Series No.
 ② Category: W-water
 ③ Welding Board Angle: V- Straight 180°
 ④ Welding Way: Blank-DIP
 ⑤ Row No.-Pin No.: 2*XX-2*02P-2*32P
 ⑥ Plug the Pin & Special No.:
 ⑦ Material: PT-PBT 94V-0
 ⑧ Planting Category: V01-All Gold Flash
 ⑨ Color: Blank-natural color

- ① Series No.
 ② Category: W-water
 ③ Welding Board Angle: V- Straight 180°
 ④ Welding Way: Blank-DIP
 ⑤ Row No.-Pin No.: 2*XX-2*02P-2*32P
 ⑥ Plug the Pin & Special No.:
 ⑦ Material: PT-PBT 94V-0
 ⑧ Planting Category: V01-All Gold Flash
 ⑨ Color: Blank-natural color

X-ON Electronics

Largest Supplier of Electrical and Electronic Components

Click to view similar products for [Headers & Wire Housings](#) category:

Click to view products by [XKB](#) manufacturer:

Other Similar products are found below :

[95000-104TRLF](#) [10135584-644402LF](#) [DF62W-EP2022PCA](#) [95000-106TRLF](#) [DF62W-2022SCA](#) [DF62W-EP2022PC](#) [2203348](#) [DF62W-2022SC](#) [1084018](#) [1029039](#) [1084017](#) [802-10-012-10-002000](#) [1112640](#) [1112639](#) [891-007-9SS-BST1T](#) [000-34000](#) [0008550134](#) [0009482033](#) [0009507031](#) [57102-F02-18ULF](#) [57102-S06-03LF](#) [57202-S52-04LF](#) [PCN6-15S-2.5E](#) [0039019024](#) [58102-G61-06LF](#) [582553-1](#) [0009485154](#) [0009508121](#) [0022285053](#) [0050291907](#) [018731A](#) [LY20-4P-DT1-P1E-BR](#) [02.125.8002.8](#) [60101931](#) [60598-1 \(Cut Strip\)](#) [M1625-3R/100](#) [61062-3](#) [61082-181009](#) [CSU011177004](#) [636-1427](#) [638009-1](#) [641938-9](#) [641991-4](#) [644168-1](#) [644827-2](#) [647662-1](#) [65039-019ELF](#) [65692-001LF](#) [65781-018](#) [65781-047](#)