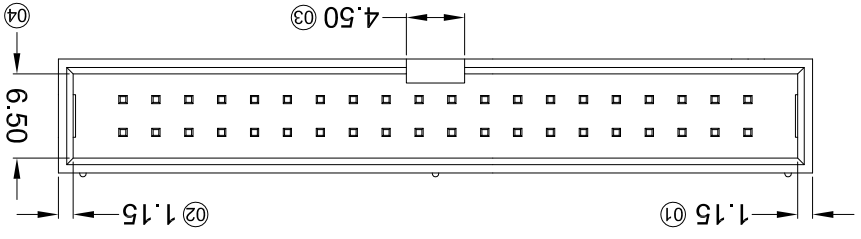
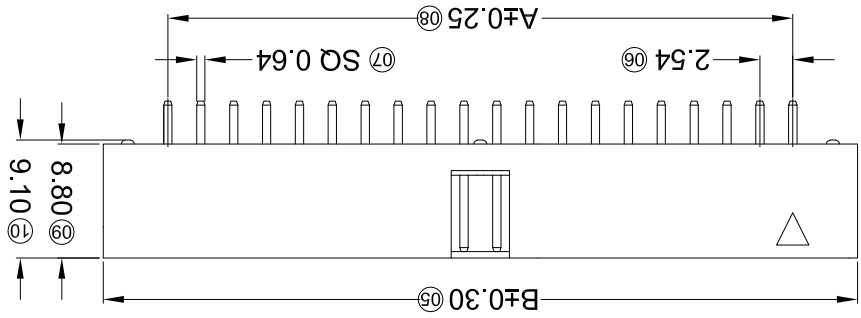
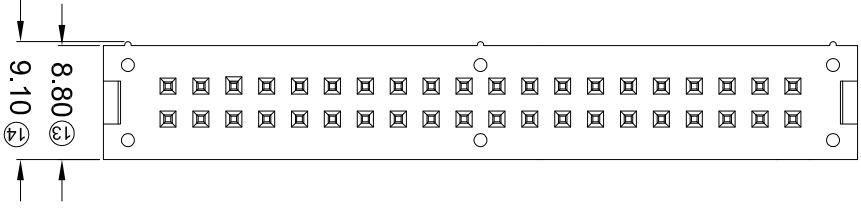
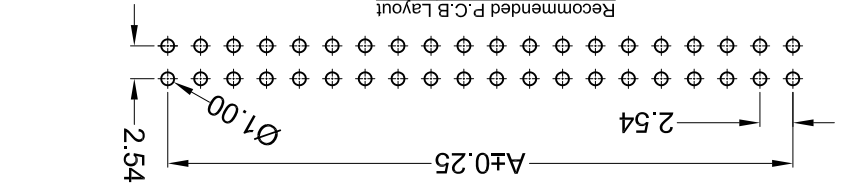


For and on behalf of
KXB INDUSTRIAL PRECISION CO., LIMITED
 香港星坤工業精密有限公司

Revisions
 Authorized Signatures(s)

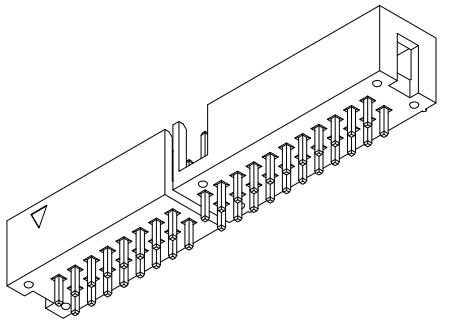
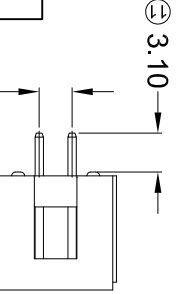
MARK	DESCRIPTION	DATE	REVISED	APPROVED	UNSPECIFIED TOLERANCES
△ X					L > 63
△ X					16 > L ≤ 63
△ X					4 < L ≤ 16
△ X					L ≤ 4
					ANGULAR
					± 5°

DSND	DATE	SCALE: N/A	MODEL TYPE: X9555WV-2*XX-PTV01
DWN	DATE <td>VIEW: </td> <td>PART NO.:</td>	VIEW:	PART NO.:
CHKD	DATE <td>UNIT: mm</td> <td>DWG NO.:</td>	UNIT: mm	DWG NO.:
APPD	DATE <td>SIZE: A4</td> <td>REVISION</td>	SIZE: A4	REVISION



PART NO	Material	Material(Pin)	Finish(Pin)	Suitable XKB Terminal
X9555WV-2*XX-PTV01	PBT UL 94V-0	Brass	Gold-Flash	X9555H

Poles	Dimensions (mm)		Poles	Dimensions (mm)	
	A	B		A	B
2*02	2.54	12.68	2*11	25.40	35.71
2*03	5.08	15.22	2*12	27.94	38.25
2*04	7.62	17.76	2*13	30.50	40.65
2*05	10.16	20.30	2*14	33.04	43.19
2*06	12.70	22.84	2*15	35.56	45.80
2*07	15.24	25.38	2*16	38.10	48.34
2*08	17.78	27.92	2*17	40.64	50.78
2*09	20.32	30.46	2*18	43.18	53.32
2*10	22.86	33.00	2*19	45.72	56.26



Specifications :

- Voltage rating: 250V AC / DC
- Current rating: 3A AC / DC
- Withstanding voltage: 1500V AC/minute
- Temperature range: -25°C~+85°C
- Insulation resistance: ≥1000MΩ
- Contact resistance: ≤20mΩ
- After environmental testing: ≤30mΩ

X9555 W V X-2*XX X-PT V01 XX

- Series No.
- Category: W-water
- Welding Board Angle: V- Straight 180°
- Welding Way: Blank-DIP
- Row No.-Pin No.: 2*XX-2*02P~2*32P
- Plug the Pin & Special No.:
- Material: PT-PBT 94V-0
- Planting Category: V01-All Gold Flash
- Color: Blank-natural color

8 7 6 5 4 3 2 1 A B C D E F

X-ON Electronics

Largest Supplier of Electrical and Electronic Components

Click to view similar products for [Headers & Wire Housings](#) category:

Click to view products by [XKB](#) manufacturer:

Other Similar products are found below :

[95000-104TRLF](#) [10135584-644402LF](#) [DF62W-EP2022PCA](#) [95000-106TRLF](#) [DF62W-2022SCA](#) [DF62W-EP2022PC](#) [2203348](#) [DF62W-2022SC](#) [1084018](#) [1029039](#) [1084017](#) [802-10-012-10-002000](#) [1112640](#) [1112639](#) [891-007-9SS-BST1T](#) [000-34000](#) [0008550134](#) [0009482033](#) [0009507031](#) [57102-F02-18ULF](#) [57102-S06-03LF](#) [57202-S52-04LF](#) [PCN6-15S-2.5E](#) [0039019024](#) [58102-G61-06LF](#) [582553-1](#) [0009485154](#) [0009508121](#) [0022285053](#) [0050291907](#) [018731A](#) [LY20-4P-DT1-P1E-BR](#) [02.125.8002.8](#) [60101931](#) [60598-1 \(Cut Strip\)](#) [M1625-3R/100](#) [61062-3](#) [61082-181009](#) [CSU011177004](#) [636-1427](#) [638009-1](#) [641938-9](#) [641991-4](#) [644168-1](#) [644827-2](#) [647662-1](#) [65039-019ELF](#) [65692-001LF](#) [65781-018](#) [65781-047](#)