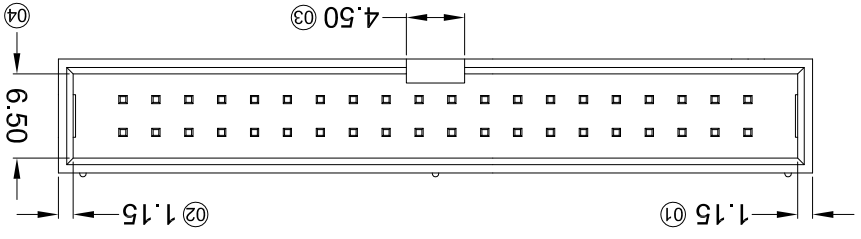
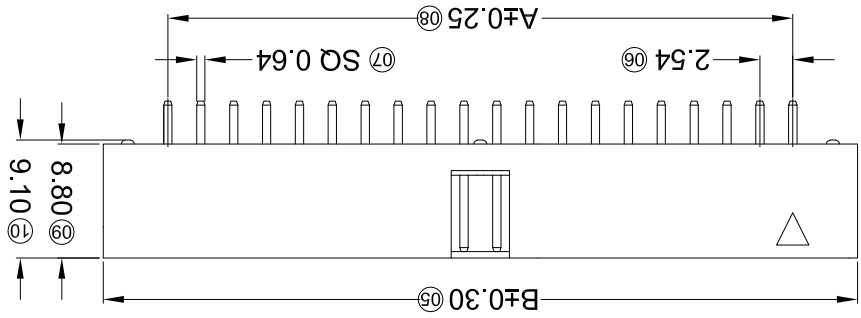
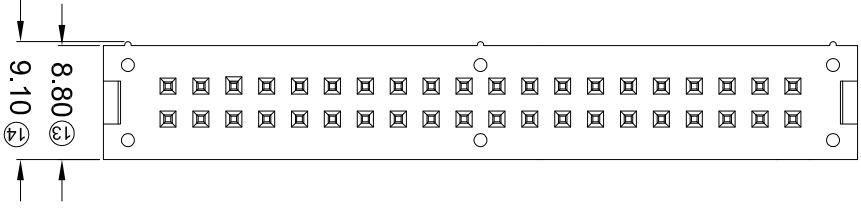
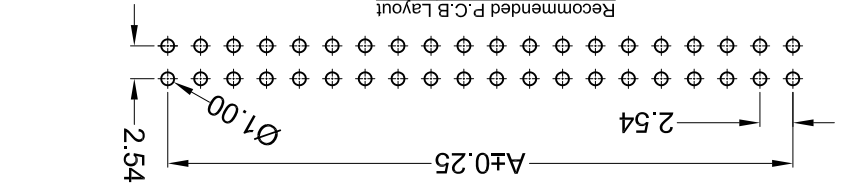


For and on behalf of  
**KXB INDUSTRIAL PRECISION CO., LIMITED**  
 香港星坤工業精密有限公司

Revisions  
 Authorized Signatures(s)

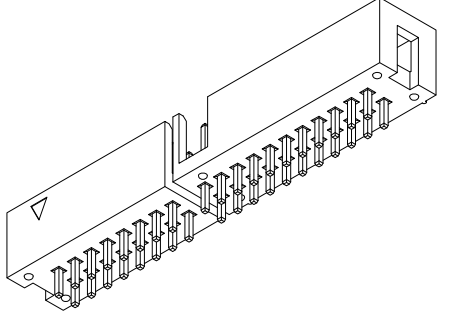
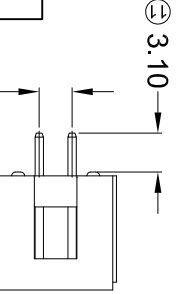
| MARK | DESCRIPTION | DATE | REVISED | APPROVED | UNSPECIFIED TOLERANCES |
|------|-------------|------|---------|----------|------------------------|
| △ X  |             |      |         |          | L > 63                 |
| △ X  |             |      |         |          | 16 > L ≤ 63            |
| △ X  |             |      |         |          | 4 < L ≤ 16             |
| △ X  |             |      |         |          | L ≤ 4                  |
|      |             |      |         |          | ANGULAR                |
|      |             |      |         |          | ± 5°                   |

| DSND | DATE   | SCALE: N/A | MODEL TYPE: X9555WV-2*XX-PTV01 |
|------|--|------------|--------------------------------|
| DWN  | DATE <td>VIEW: </td> <td>PART NO.:</td>      | VIEW:      | PART NO.:                      |
| CHKD | DATE <td>UNIT: mm</td> <td>DWG NO.:</td>     | UNIT: mm   | DWG NO.:                       |
| APPD | DATE <td>SIZE: A4</td> <td>WEIGHT: 1.0g</td> | SIZE: A4   | WEIGHT: 1.0g                   |
|      |  |            | SHEET: 1/1                     |
|      |  |            | REVISION: A0                   |



| Poles | Dimensions (mm) |       | Poles | Dimensions (mm) |       |
|-------|-----------------|-------|-------|-----------------|-------|
|       | A               | B     |       | A               | B     |
| 2*02  | 2.54            | 12.68 | 2*11  | 25.40           | 35.71 |
| 2*03  | 5.08            | 15.22 | 2*12  | 27.94           | 38.25 |
| 2*04  | 7.62            | 17.76 | 2*13  | 30.50           | 40.65 |
| 2*05  | 10.16           | 20.30 | 2*14  | 33.04           | 43.19 |
| 2*06  | 12.70           | 22.84 | 2*15  | 35.56           | 45.80 |
| 2*07  | 15.24           | 25.38 | 2*16  | 38.10           | 48.34 |
| 2*08  | 17.78           | 27.92 | 2*17  | 40.64           | 50.78 |
| 2*09  | 20.32           | 30.46 | 2*18  | 43.18           | 53.32 |
| 2*10  | 22.86           | 33.00 | 2*19  | 45.72           | 56.26 |

| PART NO            | Material     | Material(Pin) | Finish(Pin) | Suitable XKB Terminal |
|--------------------|--------------|---------------|-------------|-----------------------|
| X9555WV-2*XX-PTV01 | PBT UL 94V-0 | Brass         | Gold-Flash  | X9555H                |



**Specifications :**

- Voltage rating: 250V AC / DC
- Current rating: 3A AC / DC
- Withstanding voltage: 1500V AC/minute
- Temperature range: -25°C~+85°C
- Insulation resistance: ≥1000MΩ
- Contact resistance: ≤20mΩ
- After environmental testing: ≤30mΩ

X9555 W V X-2\*XX X-PT V01 XX  
 ① Series No.  
 ② Category: W-water  
 ③ Welding Board Angle: V- Straight 180°  
 ④ Welding Way: Blank-DIP  
 ⑤ Row No.-Pin No.: 2\*XX-2\*02P~2\*32P  
 ⑥ Plug the Pin & Special No.:  
 ⑦ Material: PT-PBT 94V-0  
 ⑧ Planting Category: V01-All Gold Flash  
 ⑨ Color: Blank-natural color

## X-ON Electronics

Largest Supplier of Electrical and Electronic Components

*Click to view similar products for [Headers & Wire Housings](#) category:*

*Click to view products by [XKB](#) manufacturer:*

Other Similar products are found below :

[95000-104TRLF](#) [10135584-644402LF](#) [DF62W-EP2022PCA](#) [95000-106TRLF](#) [DF62W-2022SCA](#) [DF62W-EP2022PC](#) [2203348](#) [DF62W-2022SC](#) [1084018](#) [1029039](#) [1084017](#) [802-10-012-10-002000](#) [1112640](#) [1112639](#) [891-007-9SS-BST1T](#) [000-34000](#) [0008550134](#) [0009482033](#) [0009507031](#) [57102-F02-18ULF](#) [57102-S06-03LF](#) [57202-S52-04LF](#) [PCN6-15S-2.5E](#) [0039019024](#) [58102-G61-06LF](#) [582553-1](#) [0009485154](#) [0009508121](#) [0022285053](#) [0050291907](#) [018731A](#) [LY20-4P-DT1-P1E-BR](#) [02.125.8002.8](#) [60101931](#) [60598-1 \(Cut Strip\)](#) [M1625-3R/100](#) [61062-3](#) [61082-181009](#) [CSU011177004](#) [636-1427](#) [638009-1](#) [641938-9](#) [641991-4](#) [644168-1](#) [644827-2](#) [647662-1](#) [65039-019ELF](#) [65692-001LF](#) [65781-018](#) [65781-047](#)