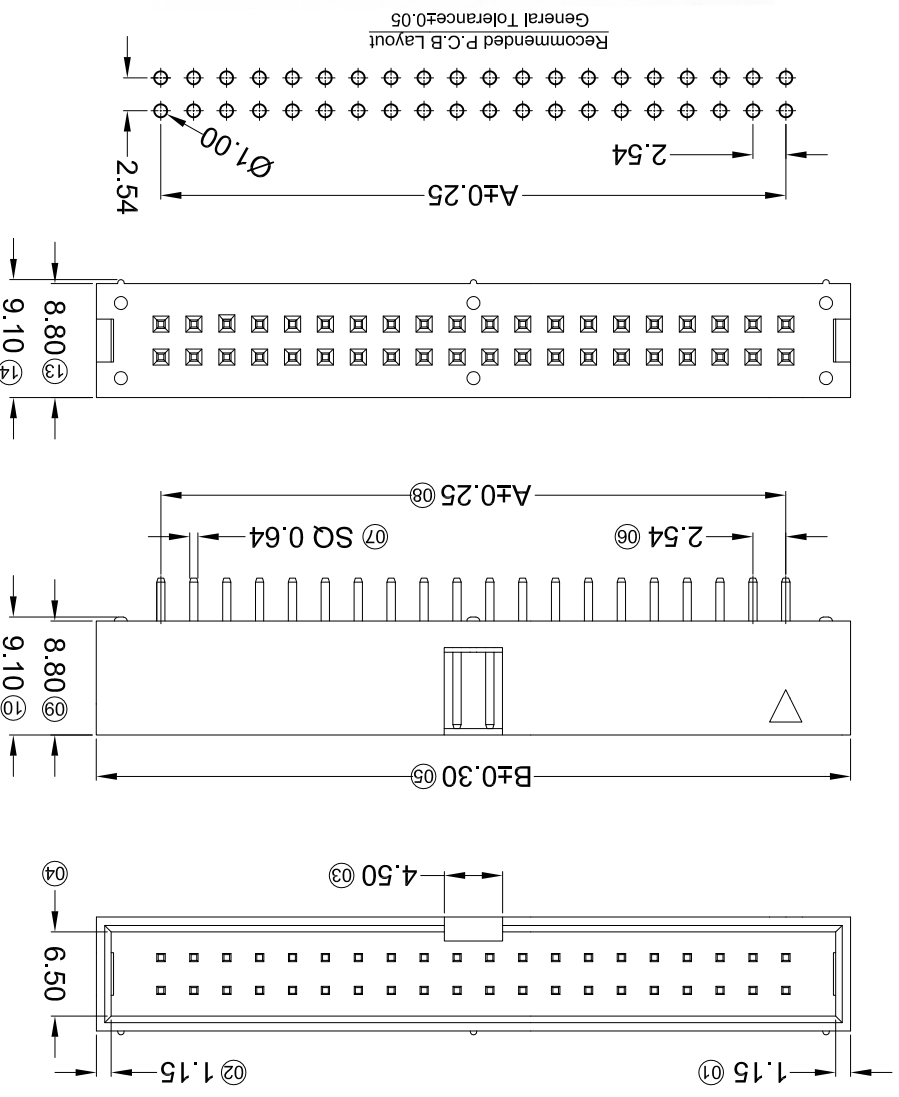


For and on behalf of  
**KXB INDUSTRIAL PRECISION CO., LIMITED**  
 香港星坤工業精密有限公司

Revisions  
 Authorized Signature(s)

MARK	DESCRIPTION	DATE	REVISED	APPROVED	UNSPECIFIED TOLERANCES
△ X					L > 63
△ X					16 > L ≤ 63
△ X					4 < L ≤ 16
△ X					L ≤ 4
					ANGULAR
					± 5°

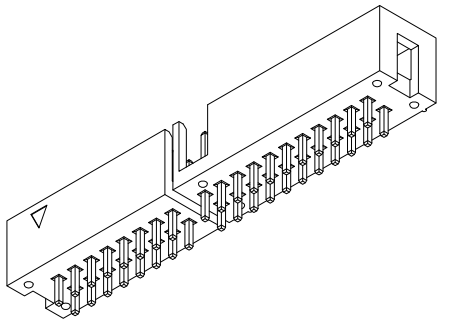
DSND	DATE	SCALE: N/A	MODEL TYPE: X9555WV-2*XX-PTV01
DWN	DATE <td>VIEW: </td> <td>PART NO.:</td>	VIEW:	PART NO.:
CHKD	DATE <td>UNIT: mm</td> <td>DWG NO.:</td>	UNIT: mm	DWG NO.:
APPD	DATE <td>SIZE: A4</td> <td>WEIGHT: 1.0g</td>	SIZE: A4	WEIGHT: 1.0g
			SHEET: 1/1
			REVISION: A0



PART NO	Material	Material(Pin)	Finish(Pin)	Suitable XKB Terminal
X9555WV-2*XX-PTV01	PBT UL 94V-0	Brass	Gold-Flash	X9555H

Poles	Dimensions (mm)		Poles	Dimensions (mm)		
	A	B		A	B	
2*02	2.54	12.68	2*11	25.40	35.71	
2*03	5.08	15.22	2*12	27.94	38.25	
2*04	7.62	17.76	2*13	30.50	40.65	
2*05	10.16	20.30	2*14	33.04	43.19	
2*06	12.70	22.84	2*15	35.56	45.80	
2*07	15.24	25.38	2*16	38.10	48.34	
2*08	17.78	27.92	2*17	40.64	50.78	
2*09	20.32	30.46	2*18	43.18	53.32	
2*10	22.86	33.00	2*19	45.72	56.26	
					2*32	78.74
						89.00

- ① Series No.  
 ② Category: W-water  
 ③ Welding Board Angle: V- Straight 180°  
 ④ Welding Way: Blank-DIP  
 ⑤ Row No.-Pin No.: 2\*XX-2\*02P-2\*32P  
 ⑥ Plug the Pin & Special No.:  
 ⑦ Material: PT-PBT 94V-0  
 ⑧ Planting Category: V01-All Gold Flash  
 ⑨ Color: Blank-natural color
- X9555 W V X-2\*XX X-PT V01 XX  
 ① ② ③ ④ ⑤ ⑥ ⑦ ⑧ ⑨



- Specifications:
- Voltage rating: 250V AC / DC
  - Current rating: 3A AC / DC
  - Withstanding voltage: 1500V AC/minute
  - Temperature range: -25°C~+85°C
  - Insulation resistance: ≥1000MΩ
  - Contact resistance: ≤20mΩ
  - After environmental testing: ≤30mΩ

## X-ON Electronics

Largest Supplier of Electrical and Electronic Components

*Click to view similar products for [Headers & Wire Housings](#) category:*

*Click to view products by [XKB](#) manufacturer:*

Other Similar products are found below :

[95000-104TRLF](#) [10135584-644402LF](#) [DF62W-EP2022PCA](#) [95000-106TRLF](#) [DF62W-2022SCA](#) [DF62W-EP2022PC](#) [2203348](#) [DF62W-2022SC](#) [1084018](#) [1029039](#) [1084017](#) [802-10-012-10-002000](#) [1112640](#) [1112639](#) [891-007-9SS-BST1T](#) [000-34000](#) [0008550134](#) [0009482033](#) [0009507031](#) [57102-F02-18ULF](#) [57102-S06-03LF](#) [57202-S52-04LF](#) [PCN6-15S-2.5E](#) [0039019024](#) [58102-G61-06LF](#) [582553-1](#) [0009485154](#) [0009508121](#) [0022285053](#) [0050291907](#) [018731A](#) [LY20-4P-DT1-P1E-BR](#) [02.125.8002.8](#) [60101931](#) [60598-1 \(Cut Strip\)](#) [M1625-3R/100](#) [61062-3](#) [61082-181009](#) [CSU011177004](#) [636-1427](#) [638009-1](#) [641938-9](#) [641991-4](#) [644168-1](#) [644827-2](#) [647662-1](#) [65039-019ELF](#) [65692-001LF](#) [65781-018](#) [65781-047](#)