

| MARK | DESCRIPTION | DATE | REVISED | APPROVED | UNSPECIFIED TOLERANCES | |
|------|-------------|------|---------|----------|------------------------|--------|
| | | | | | L > 63 | L ≤ 63 |
| △ X | | | | | ±0.4 | ±0.5 |
| △ X | | | | | ±0.3 | |
| △ X | | | | | ±0.2 | |
| △ X | | | | | ANGULAR | ±5° |

For and on behalf of
KXB INDUSTRIAL PRECISION CO., LIMITED
 香港星坤工業精密有限公司
 Authorized Signatures

| REVISIONS | DATE | REVISED | APPROVED | UNSPECIFIED TOLERANCES |
|-----------|------|---------|----------|------------------------|
| | | | | L > 63 |
| | | | | 16 > L ≤ 63 |
| | | | | 4 < L ≤ 16 |
| | | | | L ≤ 4 |
| | | | | ANGULAR |
| | | | | ±5° |

| APPD | DATE | SIZE: A4 |
|------|------|----------|
| | | |

| CHKD | DATE | UNIT: mm |
|------|------|----------|
| | | |

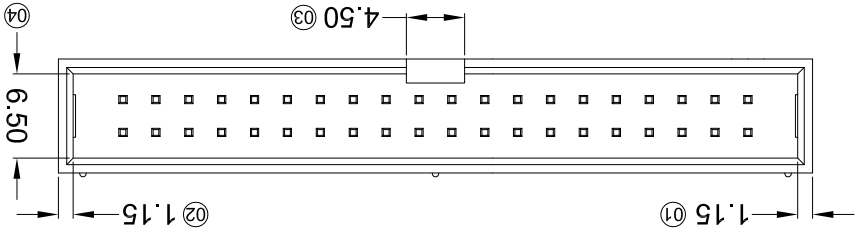
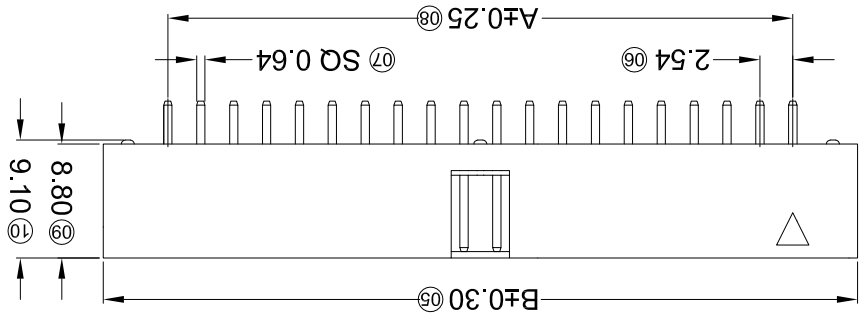
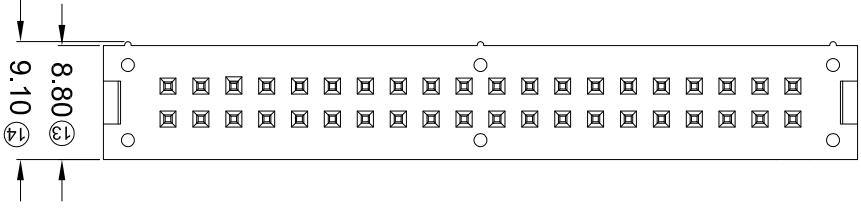
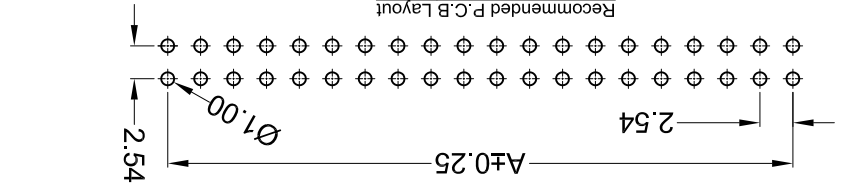
| DWN | DATE | VIEW: |
|-----|------|-------|
| | | |

| DSND | DATE | SCALE: N/A |
|------|------|------------|
| | | |

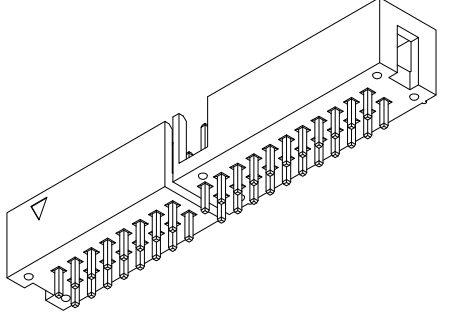
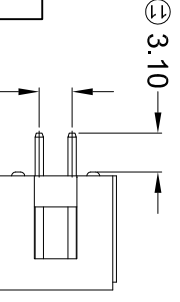
| MODEL TYPE: | PART NO.: |
|--------------------|-----------|
| X9555WV-2*XX-PTV01 | |

| WEIGHT | SHEET | REVISION |
|--------|-------|----------|
| 1.0g | 1/1 | A0 |

KXB INDUSTRIAL PRECISION CO., LIMITED



| PART NO | Material | Material(Pin) | Finish(Pin) | Suitable XKB Terminal |
|---------|-----------------|---------------|-------------|-----------------------|
| | | | | |
| Poles | Dimensions (mm) | | Poles | |
| | A | B | A | B |
| 2*10 | 22.86 | 33.00 | 2*19 | 45.72 |
| 2*09 | 20.32 | 30.46 | 2*18 | 43.18 |
| 2*08 | 17.78 | 27.92 | 2*17 | 40.64 |
| 2*07 | 15.24 | 25.38 | 2*16 | 38.10 |
| 2*06 | 12.70 | 22.84 | 2*15 | 35.56 |
| 2*05 | 10.16 | 20.30 | 2*14 | 33.04 |
| 2*04 | 7.62 | 17.76 | 2*13 | 30.50 |
| 2*03 | 5.08 | 15.22 | 2*12 | 27.94 |
| 2*02 | 2.54 | 12.68 | 2*11 | 25.40 |
| Poles | Dimensions (mm) | | Poles | |
| | A | B | A | B |
| 2*10 | 22.86 | 33.00 | 2*19 | 45.72 |
| 2*09 | 20.32 | 30.46 | 2*18 | 43.18 |
| 2*08 | 17.78 | 27.92 | 2*17 | 40.64 |
| 2*07 | 15.24 | 25.38 | 2*16 | 38.10 |
| 2*06 | 12.70 | 22.84 | 2*15 | 35.56 |
| 2*05 | 10.16 | 20.30 | 2*14 | 33.04 |
| 2*04 | 7.62 | 17.76 | 2*13 | 30.50 |
| 2*03 | 5.08 | 15.22 | 2*12 | 27.94 |
| 2*02 | 2.54 | 12.68 | 2*11 | 25.40 |



- ① Series No.
 ② Category: W-water
 ③ Welding Board Angle: V- Straight 180°
 ④ Welding Way: Blank-DIP
 ⑤ Row No.-Pin No.: 2*XX-2*02P~2*32P
 ⑥ Plug the Pin & Special No.:
 ⑦ Material: PT-PBT 94V-0
 ⑧ Planting Category: V01-All Gold Flash
 ⑨ Color: Blank-natural color

- Specifications:
- Voltage rating: 250V AC / DC
 - Current rating: 3A AC / DC
 - Withstanding voltage: 1500V AC/minute
 - Temperature range: -25°C~+85°C
 - Insulation resistance: ≥1000MΩ
 - Contact resistance: ≤20mΩ
 - After environmental testing: ≤30mΩ

X9555 W V X-2*XX X-PT V01 XX
 ① ② ③ ④ ⑤ ⑥ ⑦ ⑧ ⑨

X-ON Electronics

Largest Supplier of Electrical and Electronic Components

Click to view similar products for [Headers & Wire Housings](#) category:

Click to view products by [XKB](#) manufacturer:

Other Similar products are found below :

[95000-104TRLF](#) [10135584-644402LF](#) [DF62W-EP2022PCA](#) [95000-106TRLF](#) [DF62W-2022SCA](#) [DF62W-EP2022PC](#) [2203348](#) [DF62W-2022SC](#) [1084018](#) [1029039](#) [1084017](#) [802-10-012-10-002000](#) [1112640](#) [1112639](#) [891-007-9SS-BST1T](#) [000-34000](#) [0008550134](#) [0009482033](#) [0009507031](#) [57102-F02-18ULF](#) [57102-S06-03LF](#) [57202-S52-04LF](#) [PCN6-15S-2.5E](#) [0039019024](#) [58102-G61-06LF](#) [582553-1](#) [0009485154](#) [0009508121](#) [0022285053](#) [0050291907](#) [018731A](#) [LY20-4P-DT1-P1E-BR](#) [02.125.8002.8](#) [60101931](#) [60598-1 \(Cut Strip\)](#) [M1625-3R/100](#) [61062-3](#) [61082-181009](#) [CSU011177004](#) [636-1427](#) [638009-1](#) [641938-9](#) [641991-4](#) [644168-1](#) [644827-2](#) [647662-1](#) [65039-019ELF](#) [65692-001LF](#) [65781-018](#) [65781-047](#)