

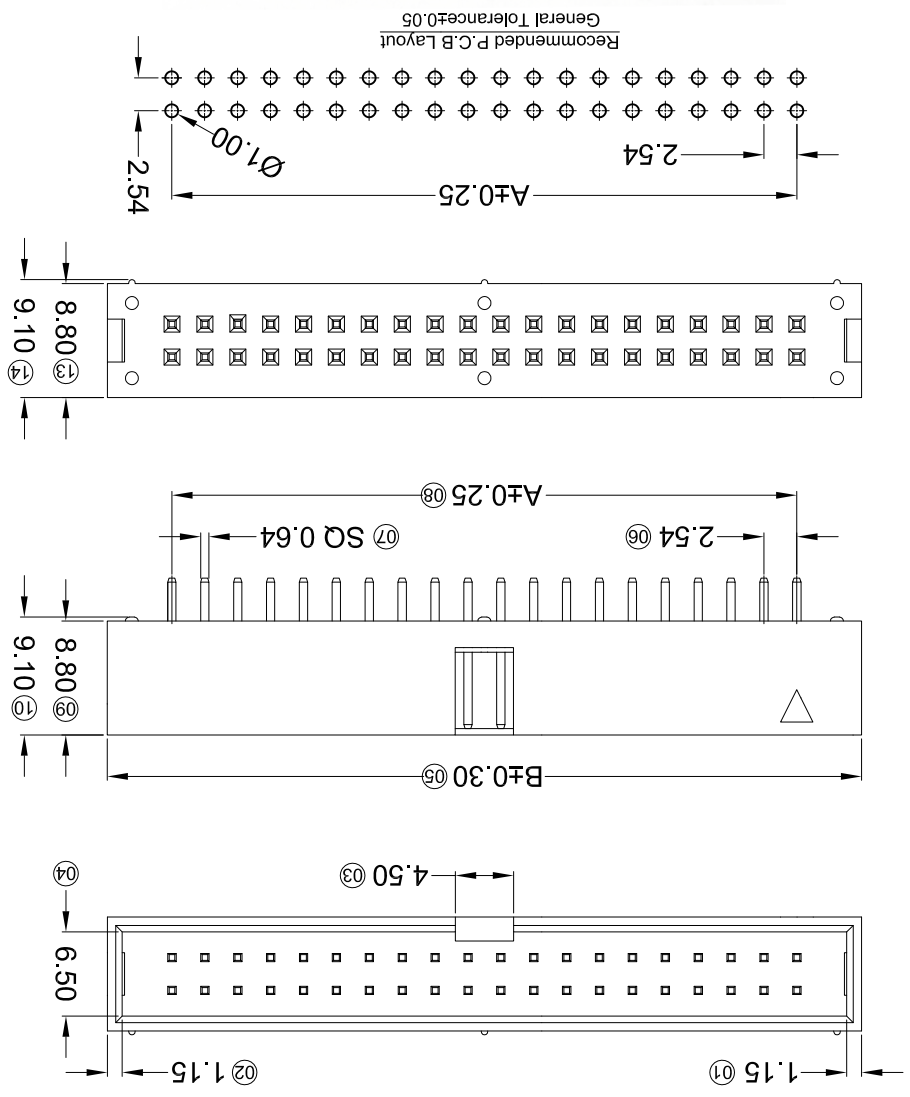
REVISED SIGNATURE(S)

For and on behalf of
XKB INDUSTRIAL PRECISION CO., LIMITED
香港星坤工業精密有限公司

MARK	DESCRIPTION	DATE		APPROVED	UNSPECIFIED TOLERANCES
		REVISIONS	REVISOR		
△ X					L > 63
△ X					16 > L ≤ 63
△ X					4 < L ≤ 16
△ X					L ≤ 4
					ANGULAR

APPD	DATE	SIZE: A4
CHKD	DATE <td>UNIT: mm</td>	UNIT: mm
DWN	DATE <td>VIEW: </td>	VIEW:
DSND	DATE <td>SCALE: N/A</td>	SCALE: N/A

MODEL TYPE:	PART NO.:	2.54mm Crimp Style Connectors	DWG NO.:
X9555WV-2*XX-PTV01			

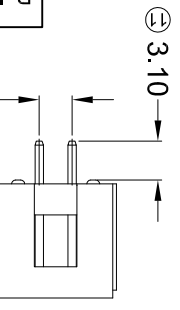


Recommended P.C.B Layout
General Tolerance±0.05

PART NO	Material	Material(Pin)	Finish(Pin)	Suitable XKB Terminal
X9555WV-2*XX-PTV01	PBT UL 94V-0	Brass	Gold-Flash	X9555H

Poles	Dimensions (mm)	
	A	B
2*02	2.54	12.68
2*03	5.08	15.22
2*04	7.62	17.76
2*05	10.16	20.30
2*06	12.70	22.84
2*07	15.24	25.38
2*08	17.78	27.92
2*09	20.32	30.46
2*10	22.86	33.00

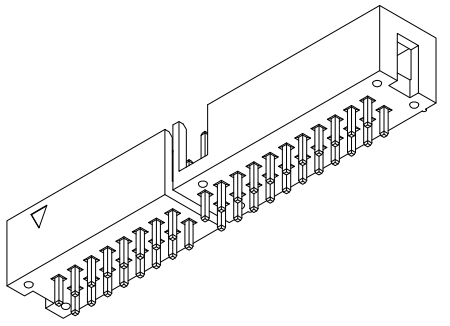
Poles	Dimensions (mm)	
	A	B
2*20	35.71	25.40
2*22	38.25	27.94
2*24	40.65	30.50
2*25	43.19	33.04
2*27	45.80	35.56
2*28	48.34	38.10
2*29	50.78	40.64
2*30	53.32	43.18
2*32	56.26	45.72
2*33	58.74	48.26
2*34	61.22	50.80
2*35	63.70	53.34
2*36	66.18	55.88
2*37	68.66	58.42
2*38	71.14	60.96
2*39	73.62	63.50
2*40	76.10	66.04
2*41	78.58	68.58
2*42	81.06	71.12
2*43	83.54	73.66
2*44	86.02	76.20
2*45	88.50	78.74
2*46	90.98	81.28
2*47	93.46	83.82
2*48	95.94	86.36
2*49	98.42	88.90



- ① Series No.
- ② Category: W-water
- ③ Welding Board Angle: V- Straight 180°
- ④ Welding Way: Blank-DIP
- ⑤ Row No.-Pin No.: 2*XX-2*02P~2*32P
- ⑥ Plug the Pin & Special No.:
- ⑦ Material: PT-PBT 94V-0
- ⑧ Planting Category: V01-All Gold Flash
- ⑨ Color: Blank-natural color

X9555 W V X-2*XX X-PT V01 XX

- Specifications :**
- Voltage rating: 250V AC / DC
 - Current rating: 3A AC / DC
 - Withstanding voltage: 1500V AC/minute
 - Temperature range: -25°C~+85°C
 - Insulation resistance: ≥1000MΩ
 - Contact resistance: ≤20mΩ
 - After environmental testing : ≤30mΩ



X-ON Electronics

Largest Supplier of Electrical and Electronic Components

Click to view similar products for [Headers & Wire Housings](#) category:

Click to view products by [XKB](#) manufacturer:

Other Similar products are found below :

[95000-104TRLF](#) [10135584-644402LF](#) [DF62W-EP2022PCA](#) [95000-106TRLF](#) [DF62W-2022SCA](#) [DF62W-EP2022PC](#) [2203348](#) [DF62W-2022SC](#) [1084018](#) [1029039](#) [1084017](#) [802-10-012-10-002000](#) [1112640](#) [1112639](#) [891-007-9SS-BST1T](#) [000-34000](#) [0008550134](#) [0009482033](#) [0009507031](#) [57102-F02-18ULF](#) [57102-S06-03LF](#) [57202-S52-04LF](#) [PCN6-15S-2.5E](#) [0039019024](#) [58102-G61-06LF](#) [582553-1](#) [0009485154](#) [0009508121](#) [0022285053](#) [0050291907](#) [018731A](#) [LY20-4P-DT1-P1E-BR](#) [02.125.8002.8](#) [60101931](#) [60598-1 \(Cut Strip\)](#) [M1625-3R/100](#) [61062-3](#) [61082-181009](#) [CSU011177004](#) [636-1427](#) [638009-1](#) [641938-9](#) [641991-4](#) [644168-1](#) [644827-2](#) [647662-1](#) [65039-019ELF](#) [65692-001LF](#) [65781-018](#) [65781-047](#)