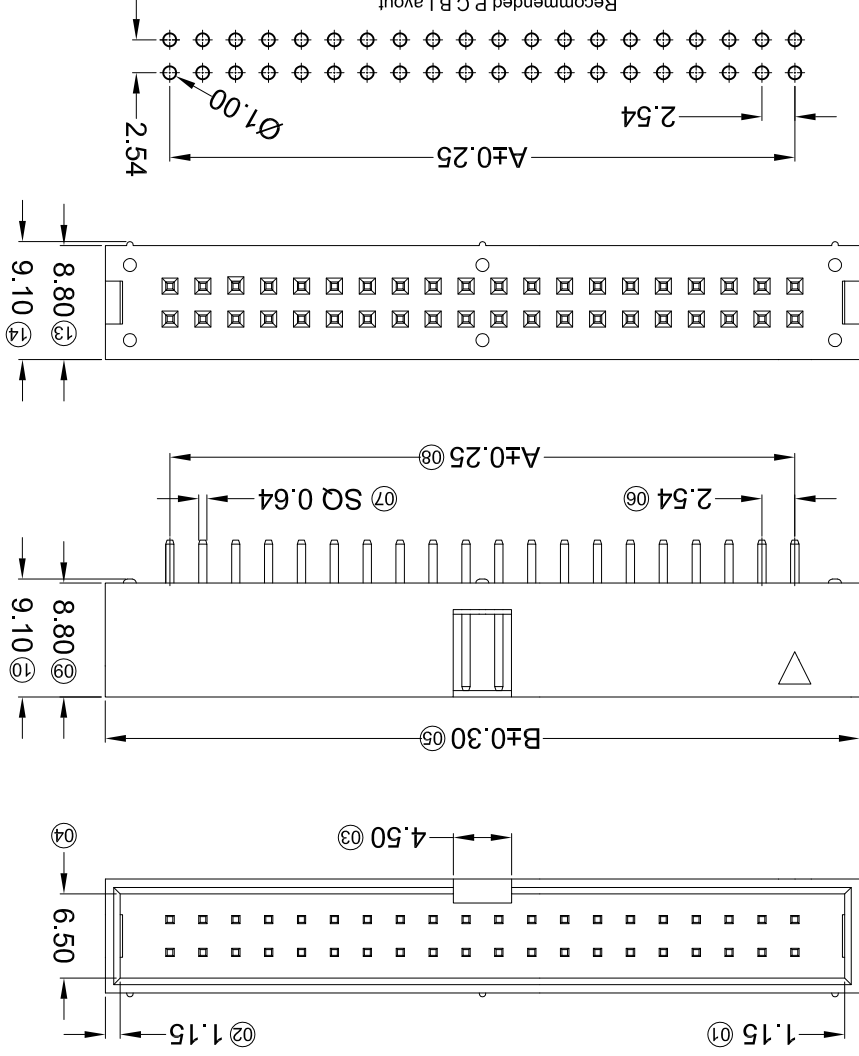


For and on behalf of
KXB INDUSTRIAL PRECISION CO., LIMITED
香港星坤工業精密有限公司
(Authorized Signature)

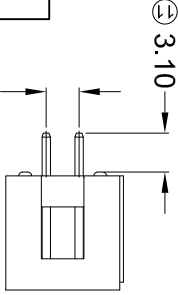
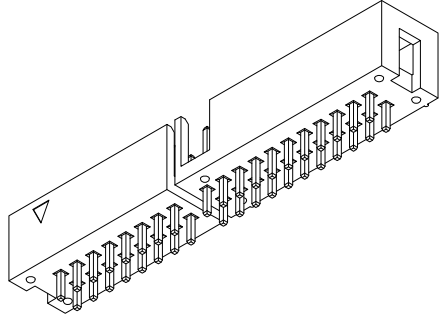
MARK	DESCRIPTION	DATE	REVISED	APPROVED	UNSPECIFIED TOLERANCES
△ X					L > 63 ± 0.5
△ X					16 < L ≤ 63 ± 0.4
△ X					4 < L ≤ 16 ± 0.3
△ X					L ≤ 4 ± 0.2
					ANGULAR ± 5°

REVISIONS	KXB INDUSTRIAL PRECISION CO., LIMITED		
APPROVED	DATE	SIZE: A4	WEIGHT 1.0g
REVISED	DATE	UNIT: mm	SHEET 1/1
APPROVED	DATE	VIEW:	REVISION A0
REVISED	DATE	SCALE: N/A	
APPROVED	DATE		
REVISED	DATE		
APPROVED	DATE		
REVISED	DATE		
APPROVED	DATE		
REVISED	DATE		
APPROVED	DATE		
REVISED	DATE		



PART NO	Material	Material(Pin)	Finish(Pin)	Suitable XKB Terminal	Poles	
					A	B
X9555WV-2*XX-PTV01	PBT UL 94V-0	Brass	Gold-Flash	X9555H	2*02	2*10
					2*04	2*09
					2*06	2*08
					2*07	2*08
					2*08	2*08
					2*09	2*09
					2*10	2*10
					2*11	2*11
					2*12	2*12
					2*13	2*13
					2*14	2*14
					2*15	2*15
					2*16	2*16
					2*17	2*17
					2*18	2*18
					2*19	2*19
					2*20	2*20
					2*21	2*21
					2*22	2*22
					2*23	2*23
					2*24	2*24
					2*25	2*25
					2*26	2*26
					2*27	2*27
					2*28	2*28
					2*29	2*29
					2*30	2*30
					2*31	2*31
					2*32	2*32
					2*33	2*33
					2*34	2*34
					2*35	2*35
					2*36	2*36
					2*37	2*37
					2*38	2*38
					2*39	2*39
					2*40	2*40
					2*41	2*41
					2*42	2*42
					2*43	2*43
					2*44	2*44
					2*45	2*45
					2*46	2*46
					2*47	2*47
					2*48	2*48
					2*49	2*49
					2*50	2*50
					2*51	2*51
					2*52	2*52
					2*53	2*53
					2*54	2*54
					2*55	2*55
					2*56	2*56
					2*57	2*57
					2*58	2*58
					2*59	2*59
					2*60	2*60
					2*61	2*61
					2*62	2*62
					2*63	2*63
					2*64	2*64
					2*65	2*65
					2*66	2*66
					2*67	2*67
					2*68	2*68
					2*69	2*69
					2*70	2*70
					2*71	2*71
					2*72	2*72
					2*73	2*73
					2*74	2*74
					2*75	2*75
					2*76	2*76
					2*77	2*77
					2*78	2*78
					2*79	2*79
					2*80	2*80

- Specifications :**
- Voltage rating: 250V AC / DC
 - Current rating: 3A AC / DC
 - Withstanding voltage: 1500V AC/minute
 - Temperature range: -25°C~+85°C
 - Insulation resistance: ≥1000MΩ
 - Contact resistance: ≤20mΩ
 - After environmental testing: ≤30mΩ



X9555 W V X-2*XX X-PT V01 XX
① Series No.
② Category: W-water
③ Welding Board Angle: V- Straight 180°
④ Welding Way: Blank-DIP
⑤ Row No.-Pin No.: 2*XX-2*02P~2*32P
⑥ Plug the Pin & Special No.:
⑦ Material: PT-PBT 94V-0
⑧ Planting Category: V01-All Gold Flash
⑨ Color: Blank-natural color

X-ON Electronics

Largest Supplier of Electrical and Electronic Components

Click to view similar products for [Headers & Wire Housings](#) category:

Click to view products by [XKB](#) manufacturer:

Other Similar products are found below :

[95000-104TRLF](#) [10135584-644402LF](#) [DF62W-EP2022PCA](#) [95000-106TRLF](#) [DF62W-2022SCA](#) [DF62W-EP2022PC](#) [2203348](#) [DF62W-2022SC](#) [1084018](#) [1029039](#) [1084017](#) [802-10-012-10-002000](#) [1112640](#) [1112639](#) [891-007-9SS-BST1T](#) [000-34000](#) [0008550134](#) [0009482033](#) [0009507031](#) [57102-F02-18ULF](#) [57102-S06-03LF](#) [57202-S52-04LF](#) [PCN6-15S-2.5E](#) [0039019024](#) [58102-G61-06LF](#) [582553-1](#) [0009485154](#) [0009508121](#) [0022285053](#) [0050291907](#) [018731A](#) [LY20-4P-DT1-P1E-BR](#) [02.125.8002.8](#) [60101931](#) [60598-1 \(Cut Strip\)](#) [M1625-3R/100](#) [61062-3](#) [61082-181009](#) [CSU011177004](#) [636-1427](#) [638009-1](#) [641938-9](#) [641991-4](#) [644168-1](#) [644827-2](#) [647662-1](#) [65039-019ELF](#) [65692-001LF](#) [65781-018](#) [65781-047](#)