

For and on behalf of
XKB INDUSTRIAL PRECISION CO., LIMITED
 香港星坤工業精密有限公司

REVISIONS
 Authorized Signature(s)

MARK	DESCRIPTION	DATE	REVISED	APPROVED	UNSPECIFIED TOLERANCES
△ X					L > 63 ± 0.5
△ X					16 < L ≤ 63 ± 0.4
△ X					4 < L ≤ 16 ± 0.3
△ X					L ≤ 4 ± 0.2
					ANGULAR ± 5°

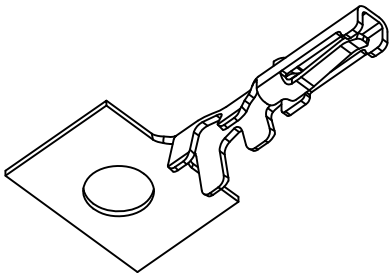
REVISION	SHEET	WEIGHT	SIZE	DATE	DATE	DATE	DATE	DATE
A0	1/1	1.0g	A4					

XKB INDUSTRIAL PRECISION CO., LIMITED

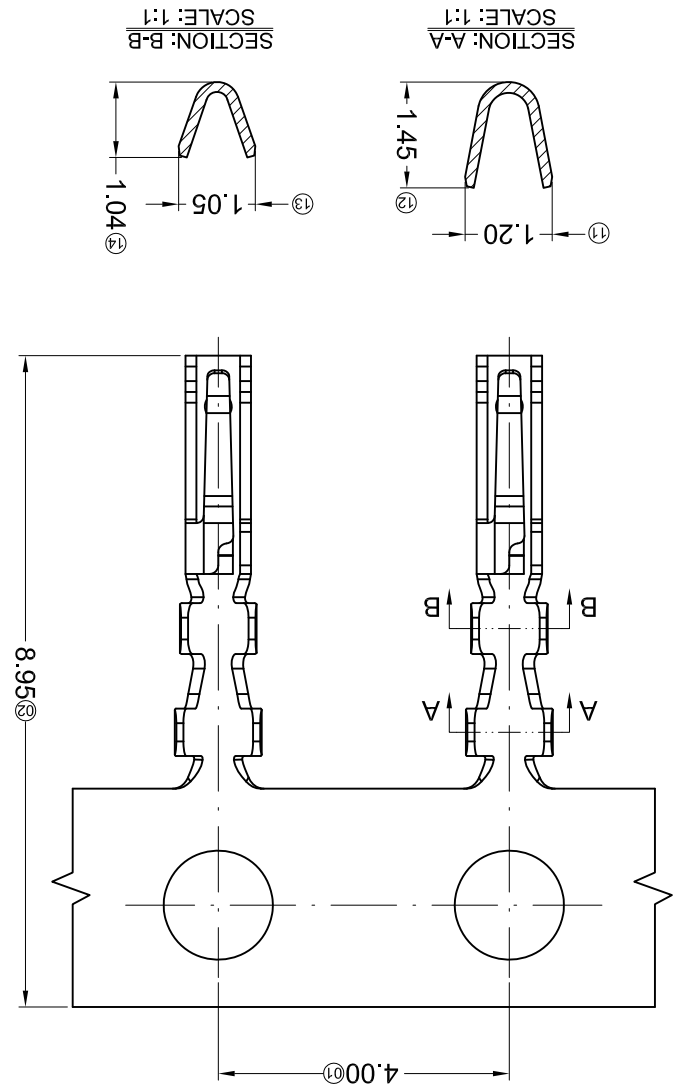
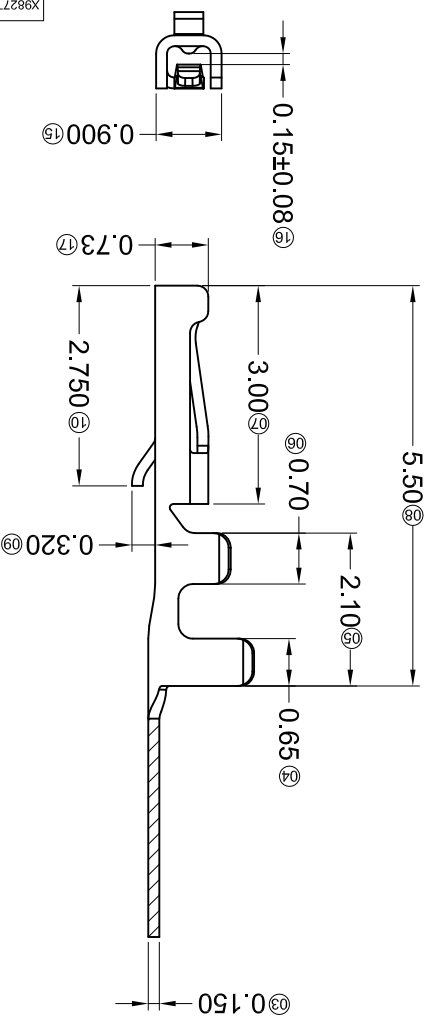
APPD	CHKD	DWN	DSND

UNIT: mm	VIEW:	SCALE: N/A
DWG NO.: 1.25mm Crimp Style Connectors	PART NO.: X9827T-PXXX	MODEL TYPE: X9827T-PXXX

PART NO	Material	Wire Range	Insulation O.D.	Finish	Suitable XKB
X9827T-PSN1	Phosphor Bronze	AWG#28-32	0.90mm(Max)	Stamping Before Plating:30u" Ni;70u"Sn Min.	9827H
X9827T-PV01	Phosphor Bronze	AWG#28-32	0.90mm(Max)	Stamping Before Plating:30u" Ni;Whole Gold:3u" Min.	
X9827T-PV03	Phosphor Bronze	AWG#28-32	0.90mm(Max)	Stamping Before Plating:30u" Ni;Whole Gold:3u" Min.	
X9827T-PSN	Phosphor Bronze	AWG#28-32	0.90mm(Max)	Stamping Before Plating:30u" Ni;70u"Sn Min.	



- Specifications :**
- Voltage rating: 125V AC / DC
 - Current rating: 1A AC / DC
 - Withstanding voltage: 250V AC/minute
 - Temperature range: -25°C~+85°C
 - Insulation resistance: ≥100MΩ
 - Contact resistance: ≤20mΩ
 - After environmental testing: ≤40mΩ
- X9827 T X-P XX X-X
- Series Number
 - Category: T-terminal
 - Shape: Blank-ordinary
 - Material: P-Phosphor bronze
 - Plating style: V01-Gold Flash ; V03-Gold 3u"
 - SN-Bright tin plating 70u"Min.;
 - SN1-Bright tin plating 100u"Min.
 - Plating method: Blank-Stamping before plating
 - Mold No./Mark/Special No.



X-ON Electronics

Largest Supplier of Electrical and Electronic Components

Click to view similar products for [Terminals](#) category:

Click to view products by [XKB](#) manufacturer:

Other Similar products are found below :

[HT-13-10](#) [71M-250-32-NB](#) [01-2065-1-0216](#) [00581P0075](#) [M10-10RX](#) [M10BCK](#) [60205-1](#) [604200-1](#) [60598-1-CUT-TAPE](#) [60617-1-C](#) [60873-1](#) [M14-516R/SK](#) [M14-6RSX](#) [M18-10FLX](#) [M18-8FBX](#) [M18-8R/LX](#) [M18BCK](#) [61314-6-C](#) [61-S](#) [61-SN-A](#) [62-NBM-A](#) [63-S](#) [640179-1](#) [640917-2-CUT-TAPE](#) [6501550002](#) [66107-2-C](#) [66107-4-C](#) [696683-1](#) [696834-1](#) [696861-1](#) [696931-1](#) [696999-1](#) [M8-516RK](#) [M86700006](#) [MA250DMFMX-A](#) [701-2007](#) [701-2307](#) [701-7761-03](#) [70F-110-32-PB](#) [718-N-A](#) [71M-187-20-NBL](#) [71M-250-32-NBL](#) [72F-187-20-NBL](#) [72M-250-32-NBL](#) [7310](#) [73F-250-32](#) [73F-250-32-NBL](#) [73F-250-32-NL](#) [F14-10C](#) [F-1M](#)