

For and on behalf of
XKB INDUSTRIAL PRECISION CO., LIMITED
 香港星洲工業精密有限公司

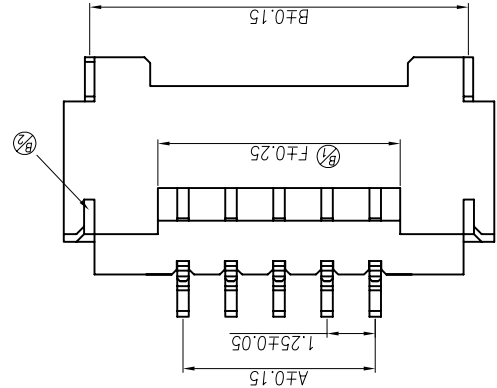
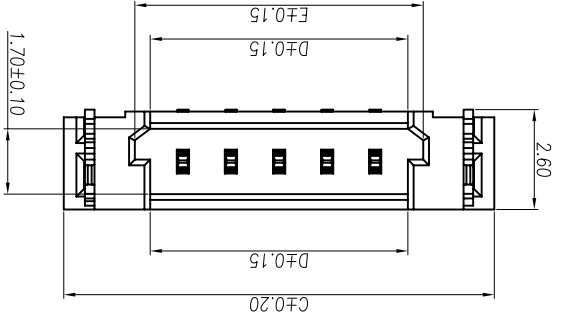
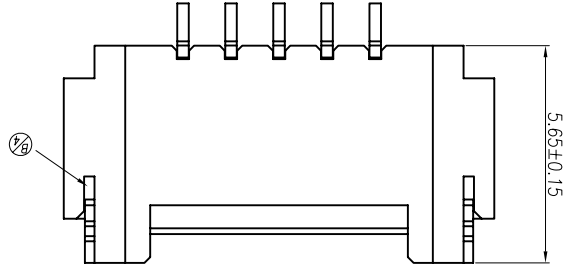
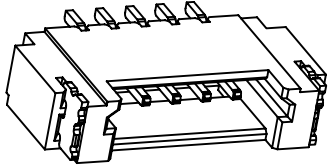
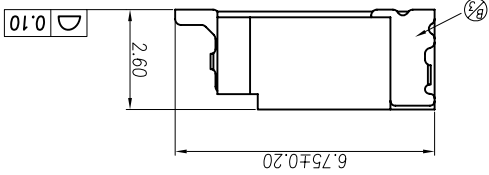
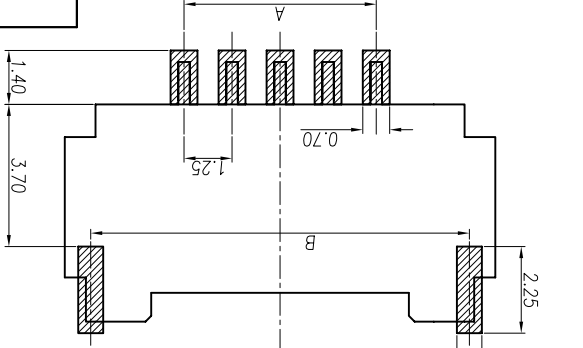
REVISIONS
 Authorized Signatures(s)

MARK	DESCRIPTION	DATE	REVISED	APPROVED	UNSPECIFIED TOLERANCES
△ X					L > 63
△ X					16 < L ≤ 63
△ X					4 < L ≤ 16
△ X					L ≤ 4
					ANGULAR
					±5°

DATE	DATE	DATE	DATE	DATE	DATE
DSND	DWN	CHKD	APPD		
SCALE: N/A	VIEW:	UNIT: mm	SIZE: A4	WEIGHT	REVISION
MODEL TYPE: X9862WRS-XXA-LPSN	PART NO.:	1.25mm Crimp Style Connectors		DWG NO.:	REVISION
					A0

PART NO	Material	Material(Pin And Solder Tabs)	Finish Pin	Suitable XKB Terminal
X9862WRS-XXA-LPSN	LCP UL 94V-0	Brass	Tin Plating Matte	X1255H

PIN 數	Dimensions (mm)					
	A	B	C	D	E	F
2	1.25	6.00	7.45	2.95	3.75	2.55
3	2.50	7.25	8.70	4.20	5.00	3.80
4	3.75	8.50	9.95	5.45	6.25	5.05
5	5.00	9.75	11.20	6.70	7.50	
6	6.25	11.00	12.45	7.95	8.75	
7	7.50	12.25	13.70	9.20	10.00	
8	8.75	13.50	14.95	10.45	11.25	
9	10.00	14.75	16.20	11.70	12.50	
10	11.25	16.00	17.45	12.95	13.75	
11	12.50	17.25	18.70	14.20	15.00	
12	13.75	18.50	19.95	15.45	16.25	
13	15.00	19.75	21.20	16.70	17.50	
14	16.25	21.00	22.45	17.95	18.75	
15	17.50	22.25	23.70	19.20	20.00	
16	18.75	23.50	24.95	20.45	21.25	



- Specifications :**
- Voltage rating: 200V AC / DC
 - Current rating: 1A AC / DC
 - Withstanding voltage: 500V AC/minute
 - Temperature range: -25°C~+85°C
 - Insulation resistance: ≥100MΩ
 - Contact resistance: ≤40mΩ
 - After environmental testing: ≤80mΩ
- X9862 W R S-XX A-LP SN XX
- ① Series No.
 ② Category: W-water
 ③ Welding Board Angle: R- Right Angle 90°
 ④ Welding Way: S-SMT
 ⑤ Row No.-Pin No.: XX-02P~30P
 ⑥ Plug the Pin & Special No.: A-With Lock
 ⑦ Material: LP-LCP 94V-0
 ⑧ Plating Category: SN-Bright tin plating
 ⑨ Color: Blank-natural color

For and on behalf of
XKB INDUSTRIAL PRECISION CO., LIMITED
 香港星洲工業精密有限公司

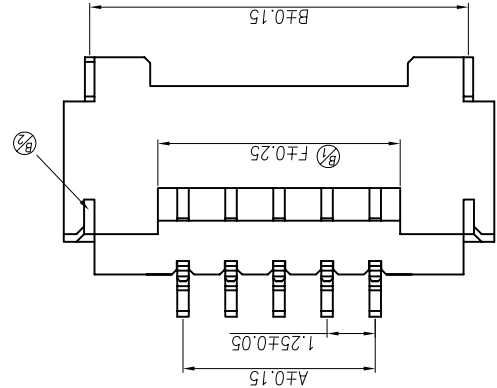
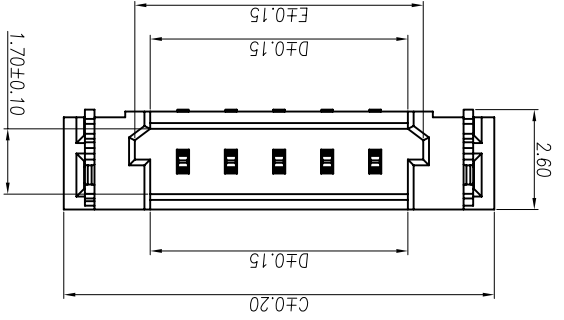
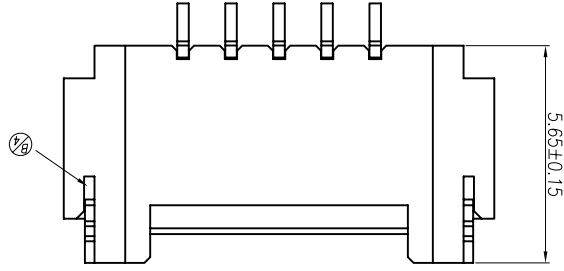
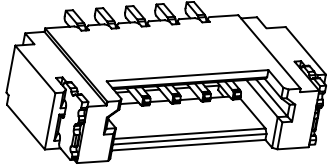
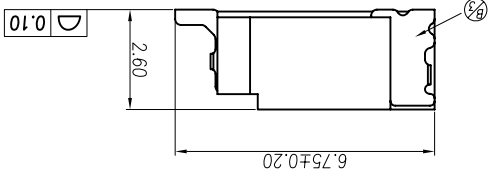
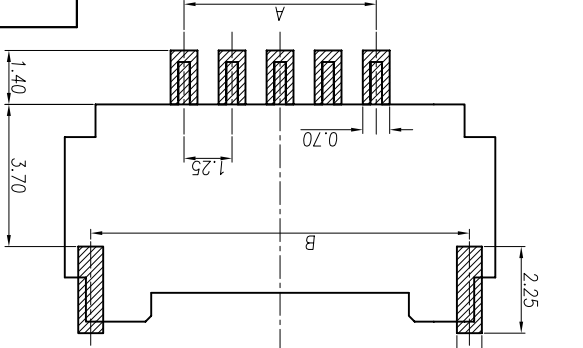
REVISIONS
 Authorized Signatures(s)

MARK	DESCRIPTION	DATE	REVISED	APPROVED	UNSPECIFIED TOLERANCES
△ X					L > 63
△ X					16 < L ≤ 63
△ X					4 < L ≤ 16
△ X					L ≤ 4
					ANGULAR
					±5°

DATE	DATE	DATE	DATE	DATE	DATE
DSND	DWN	CHKD	APPD		
SCALE: N/A	VIEW:	UNIT: mm	SIZE: A4	WEIGHT	REVISION
MODEL TYPE: X9862WRS-XXA-LPSN	PART NO.:	1.25mm Crimp Style Connectors		DWG NO.:	REVISION
					A0

PART NO	Material	Material(Pin And Solder Tabs)	Finish Pin	Suitable XKB Terminal
X9862WRS-XXA-LPSN	LCP UL 94V-0	Brass	Tin Plating Matte	X1255H

PIN 數	Dimensions (mm)					
	A	B	C	D	E	F
2	1.25	6.00	7.45	2.95	3.75	2.55
3	2.50	7.25	8.70	4.20	5.00	3.80
4	3.75	8.50	9.95	5.45	6.25	5.05
5	5.00	9.75	11.20	6.70	7.50	
6	6.25	11.00	12.45	7.95	8.75	
7	7.50	12.25	13.70	9.20	10.00	
8	8.75	13.50	14.95	10.45	11.25	
9	10.00	14.75	16.20	11.70	12.50	
10	11.25	16.00	17.45	12.95	13.75	
11	12.50	17.25	18.70	14.20	15.00	
12	13.75	18.50	19.95	15.45	16.25	
13	15.00	19.75	21.20	16.70	17.50	
14	16.25	21.00	22.45	17.95	18.75	
15	17.50	22.25	23.70	19.20	20.00	
16	18.75	23.50	24.95	20.45	21.25	



- Specifications :**
- Voltage rating: 200V AC / DC
 - Current rating: 1A AC / DC
 - Withstanding voltage: 500V AC/minute
 - Temperature range: -25°C~+85°C
 - Insulation resistance: ≥100MΩ
 - Contact resistance: ≤40mΩ
 - After environmental testing: ≤80mΩ
- X9862 W R S-XX A-LP SN XX
- ① Series No.
 ② Category: W-water
 ③ Welding Board Angle: R- Right Angle 90°
 ④ Welding Way: S-SMT
 ⑤ Row No.-Pin No.: XX-02P~30P
 ⑥ Plug the Pin & Special No.: A-With Lock
 ⑦ Material: LP-LCP 94V-0
 ⑧ Plating Category: SN-Bright tin plating
 ⑨ Color: Blank-natural color

X-ON Electronics

Largest Supplier of Electrical and Electronic Components

Click to view similar products for [Headers & Wire Housings](#) category:

Click to view products by [XKB](#) manufacturer:

Other Similar products are found below :

[95000-104TRLF](#) [10135584-644402LF](#) [DF62W-EP2022PCA](#) [95000-106TRLF](#) [DF62W-2022SCA](#) [DF62W-EP2022PC](#) [2203348](#) [DF62W-2022SC](#) [1084018](#) [1029039](#) [1084017](#) [802-10-012-10-002000](#) [1112640](#) [1112639](#) [891-007-9SS-BST1T](#) [000-34000](#) [0008550134](#) [0009482033](#) [0009507031](#) [57102-F02-18ULF](#) [57102-S06-03LF](#) [57202-S52-04LF](#) [PCN6-15S-2.5E](#) [0039019024](#) [58102-G61-06LF](#) [582553-1](#) [0009485154](#) [0009508121](#) [0022285053](#) [0050291907](#) [018731A](#) [LY20-4P-DT1-P1E-BR](#) [02.125.8002.8](#) [60101931](#) [60598-1 \(Cut Strip\)](#) [M1625-3R/100](#) [61062-3](#) [61082-181009](#) [CSU011177004](#) [636-1427](#) [638009-1](#) [641938-9](#) [641991-4](#) [644168-1](#) [644827-2](#) [647662-1](#) [65039-019ELF](#) [65692-001LF](#) [65781-018](#) [65781-047](#)