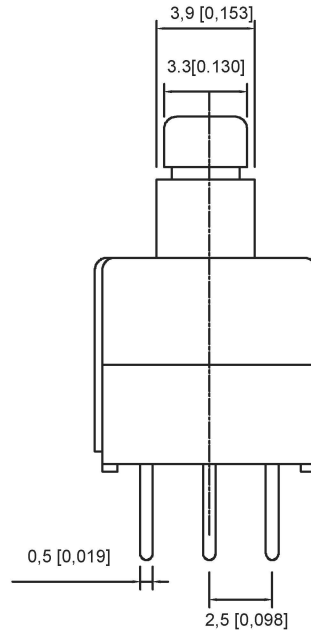
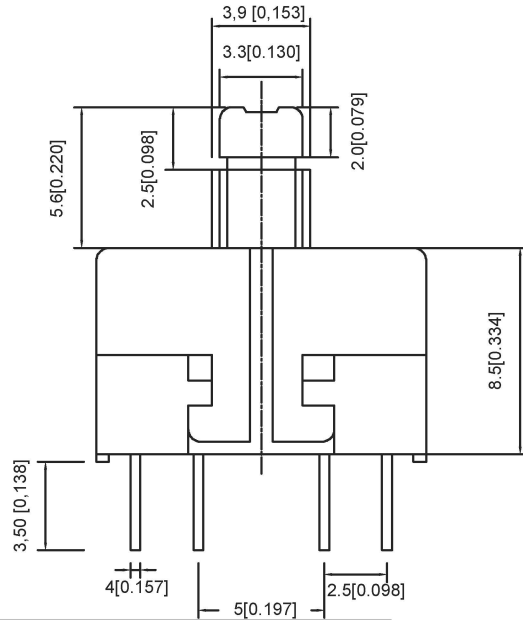


SCHEMATIC



FEATURES

- Light operating force
- Long term low contact resistance
- Momentary or latching operation
- Short stroke 1.5mm to latch
- Compact spacing on PCB of 13X 8.5mm

SPECIFICATIONS

1. ELECTRICAL

● Contact rating	0.1A, 30VDC
● Contact resistance	50mW Max
● Insulation resistance	100M W Min .at 250VDC
● Dielectric strength	250VAC Min .for 60sec

2. MECHANICAL AND ENVIRONMENTAL

● Temperature rating	Operating -15□ to +55□ storage -25□ to +65□
● Operation	160±80gf
● Stroke	Lock Stroke .1.5±0.2mm Full stroke, 2.5±0.2mm
● Operating life	Full load: 1 x 10 ⁴ cycles NO load: 1 x 10 ⁵ cycles
● Contact form	DPDT

PAPT NO	XKB1385-X
OPERATION	W:NO LOCK Z:LOCK

ITEM	PAPT NAMF	TER,NO	QTY	MATERIAL	FINISHING	REMARK
⑦	Contact	—	4	Phosphor bronze	Plating silvering	—
⑥	Terminal	—	12	Brass	Plating silvering	—
⑤	Spring	—	1	Sus	Natural	—
④	Base	—	1	Nylon		—
③	Crochet Needle	—	1	Sus	Natural	—
②	Cover	—	1	Nylon		—
①	Keystake	—	1	Nylon		—

广东星坤科技股份有限公司

生效	日期
ΔX	日期
ΔX	日期
ΔX	日期

DSND	DATE	SCALE: N/A	MODEL TYPE: KEY SWITCH
DWN	DATE	VIEW:	PART NO.:
CHKD	DATE	UNIT: mm/in	DWG NO.: XKB1385-X
APPD	DATE	SIZE: A4	
XKB INDUSTRIAL PRECISION CO., LIMITED			WEIGHT 1.0g
			SHEET 1/1
			REVISION A0

文件工程章

www.helloxkb.com www.helloxkb.cn

X-ON Electronics

Largest Supplier of Electrical and Electronic Components

Click to view similar products for [Pushbutton Switches](#) category:

Click to view products by [XKB](#) manufacturer:

Other Similar products are found below :

[8971K1133](#) [LW1L-M1C10V-A](#) [LW2L-M1C20M-A](#) [M22-D-R-GB0/K11](#) [67081K512X](#) [701PB580](#) [7199K101](#) [810K12910](#) [810KSV30B](#)
[FLT 2U EE 01A](#) [MML21EA2ADK](#) [MML21KA3ABK](#) [MML23KA3AC05K-001](#) [MML23KW3AA01W](#) [8418K2](#) [8442K2](#) [8442K3](#) [8450K1](#)
[860K11911T01A](#) [861901](#) [861K11911T01A07](#) [861K13810T00A14](#) [861K13911](#) [8646AB6X718UL](#) [8646ABUL](#) [9001KXRK](#)
[9533CD4+U574+U4922](#) [95-414.000](#) [99-453.837](#) [PV3H2B0NN-341](#) [A22NZBGANGA](#) [A22NZBMMNGA](#) [A22NZBNANGA](#)
[A22NZMPATRA](#) [A2PMA1X03EC56](#) [A3A-7310](#) [A3A-7340](#) [A3U-TMW-A2C-5M](#) [12037A2ULCSA](#) [1203A2UL](#) [ABGW410-R](#) [ABN400-R](#)
[121382](#) [1213C3](#) [HE3B-M2](#) [121194](#) [1212MRA](#) [1232A6NF](#) [1241.1183.7047](#) [121489](#)