

FEATURES

- Light operating force.
- Long term low contact resistance.
- Momentary or latching operation.
- Short stroke 1.5mm to latch.
- Compact spacing on PCB of 5.8mm.

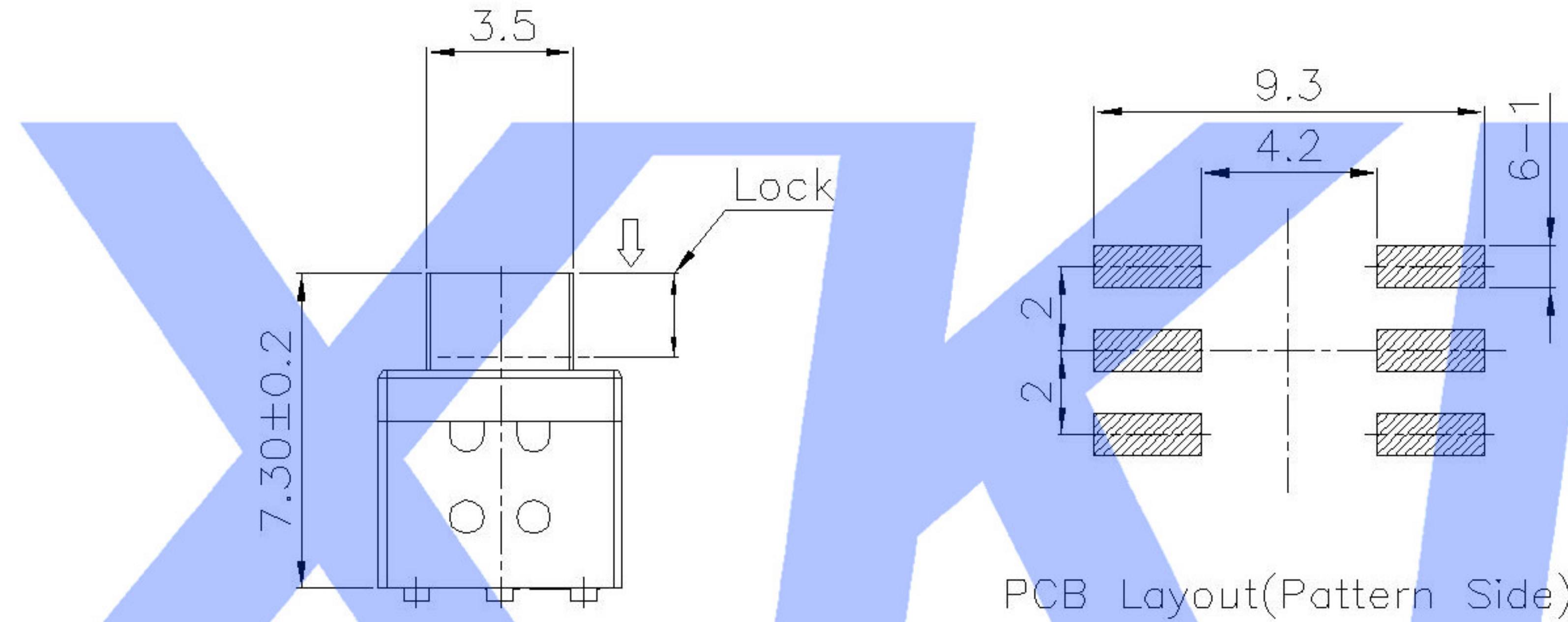
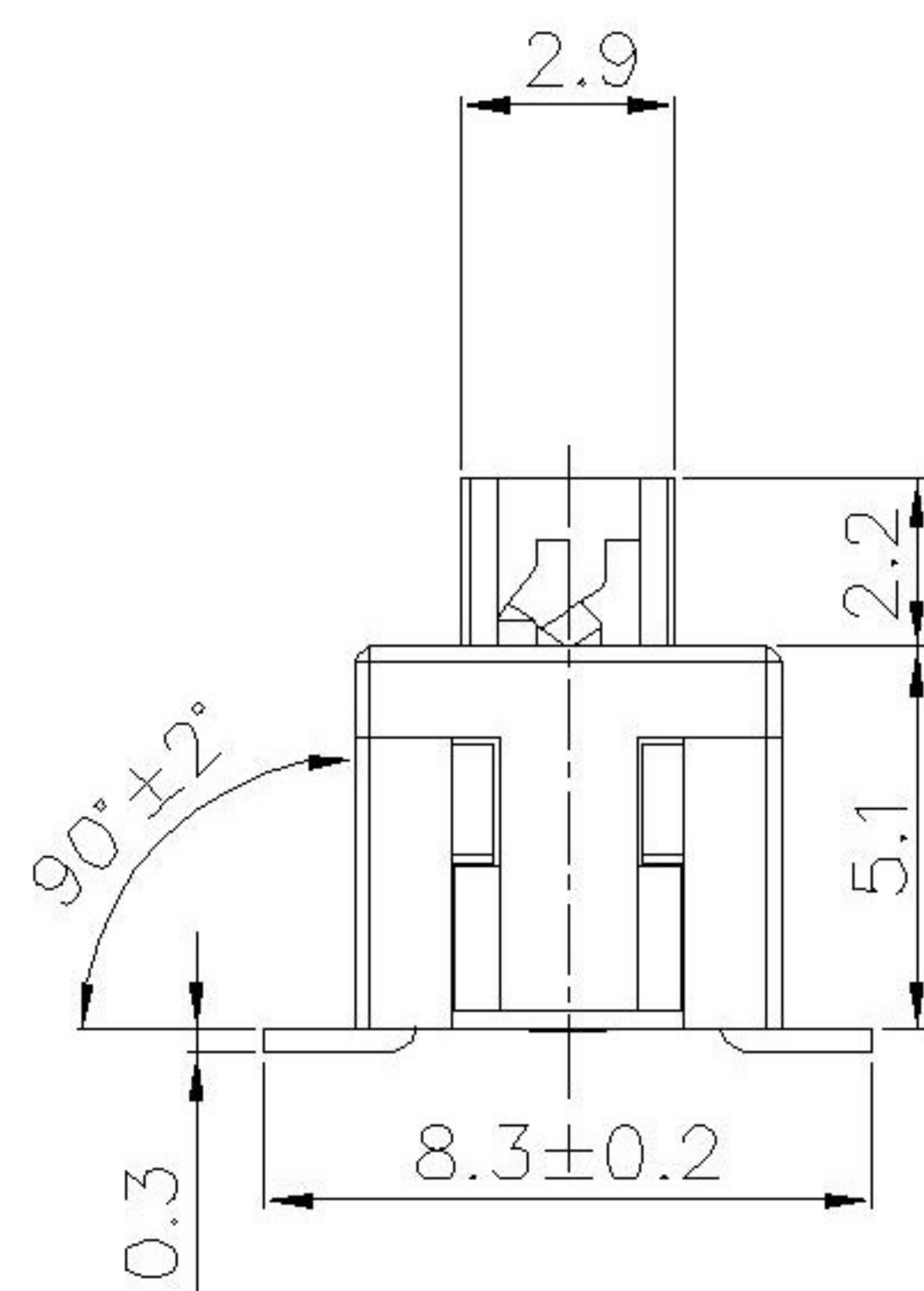
SPECIFICATIONS

1.ELECTRICAL

● Contact rating	0.1A, 30VDC
● Contact resistance	50mWMax.
● Insulation resistance	100MΩMin. at 250VDC
● Dielectric strength	250VAC Min. for 60 sec.

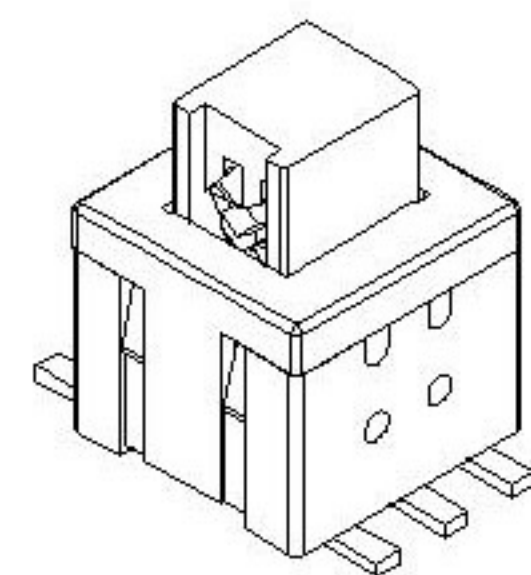
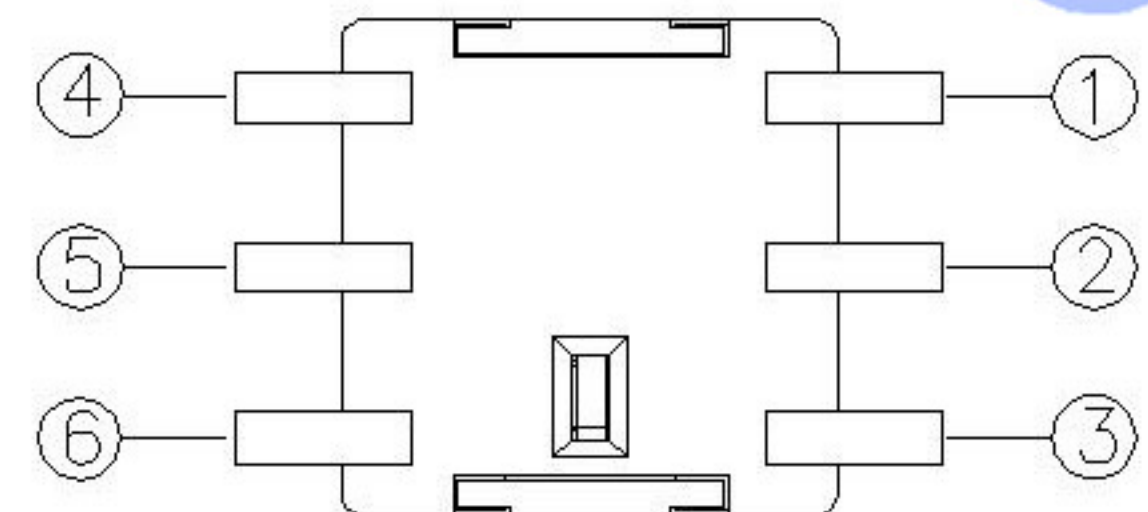
2.MECHANICAL AND ENVIRONMENTAL

● Temperature rating	Operating: -15℃ to +55℃ Storage: -25℃ to +65℃
● Operation force	160±80gf
● Stroke	Lock Stroke: 1.5±0.2mm Full Stroke: 2.0±0.2mm
● Operating life	full load: 1x10 ⁴ cycles no load: 1x10 ⁵ cycles
● Contact form	DPDT



PAPT NO	XKB5858-X-TP-75
OPERATION	W:NO LOCK Z:LOCK

SWITCH CONNECTOR



ITEM	PAPT NMF	TER,NO	QTY	MATERIAL	FINISHING	REMARK
⑦	Contact	2	Phosphor bronze	Plating silvering		
⑥	Terminal	6	Brass	Plating silvering		
⑤	Spring	1	Sus	Natural		
④	Base	1	Ppa			
③	Crochet Needle	1	Sus	Natural		
②	Cover	1	Ppa			
①	Keystake	1	Ppa			

MARK	DESCRIPTION	DATE	REVISED	APPROVED	ANGLAR	±5°	DSND	DATE	SCALE: N/A	MODEL TYPE:	KEY SWITCH				
ΔX					X.X	±0.2mm	DWN	DATE	VIEW:	PART NO.:					
ΔX					X.XX	±0.1mm	CHKD	DATE	UNIT: mm	DWG NO.:	XKB5858-X-TP-75				
ΔX					X.XXX	±0.05mm	APPD	DATE	SIZE: A4	WEIGHT	1.0g				
REVISIONS							UNSPECIFIED TOLERANCES		XKB INDUSTRIAL PRECISION CO.,LIMITED			SHEET	1/1	REVISION	A0
www.xk-dg.cn www.helloxkb.com www.helloxkb.cn															

X-ON Electronics

Largest Supplier of Electrical and Electronic Components

Click to view similar products for [Pushbutton Switches](#) category:

Click to view products by [XKB](#) manufacturer:

Other Similar products are found below :

[LW1L-M1C10V-A](#) [LW2L-A1C20M-GD](#) [LW2L-M1C20M-A](#) [60324L](#) [M7E-HRN2](#) [67021K512](#) [67081K512X](#) [701PB580](#) [719-5504-000](#)
[MDPSSGLFS](#) [810KSV30B](#) [MML21KA3ABK](#) [MML23KA3AC05K-001](#) [MML23KW3AA01W](#) [8418K2](#) [8646AB6X718UL](#) [8646ABUL](#)
[FSDWH](#) [9001KXRK](#) [9001T8BK](#) [9533CD4+U574+U4922](#) [1203MRA](#) [A22EM01S](#) [A595](#) [1202A6](#) [12037A2ULCSA](#) [1203A2UL](#) [ABD122N-](#)
[B](#) [1211390004](#) [ABN111-Y](#) [ABN400-R](#) [1211500044](#) [1211580012](#) [1212MRA](#) [1232A6NF](#) [RA3CSH6A](#) [1241.1183.7047](#) [1241.2511](#)
[1241.3428](#) [1223A2ULCSA](#) [1223MRA](#) [1232AX2119](#) [1241.1183.8000](#) [1241.1183.8029](#) [1241.2506](#) [1241.2606](#) [12MA6](#) [1301940184](#)
[RELBARF6X10\(PLASTIC\)](#) [13435AG](#)