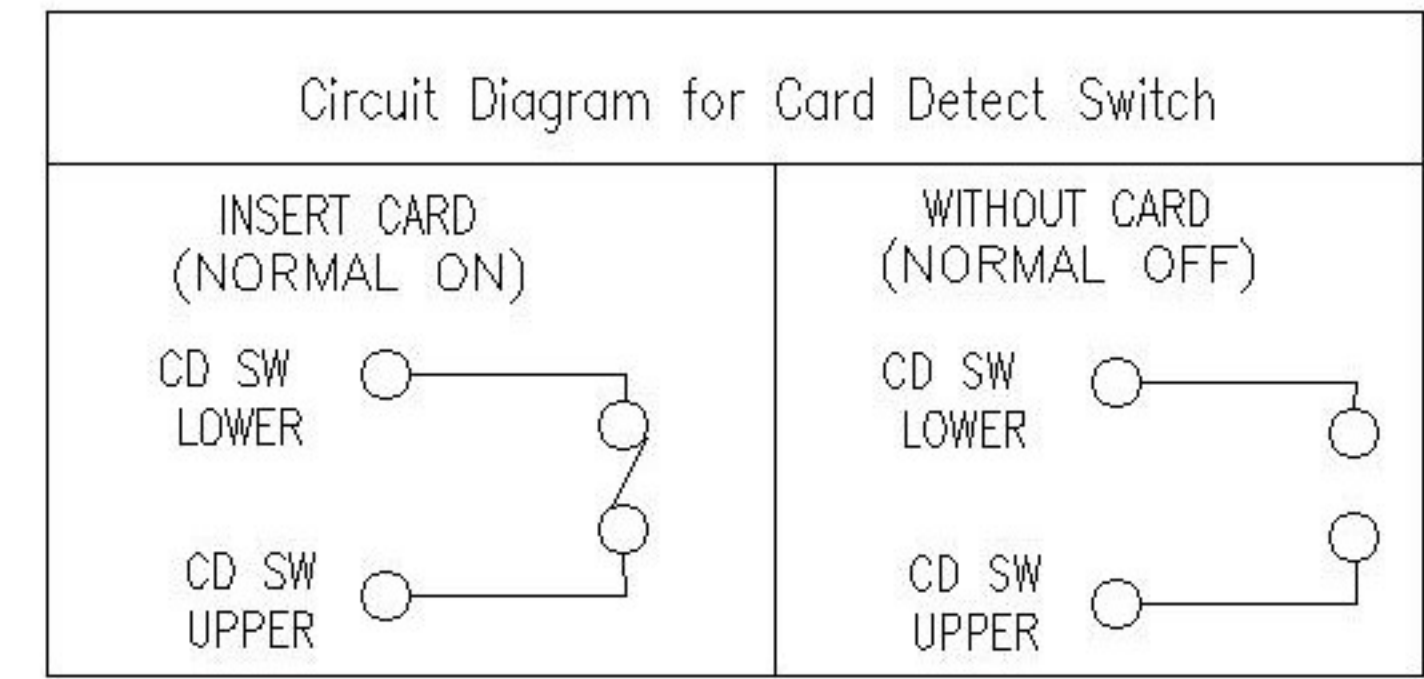


Specification

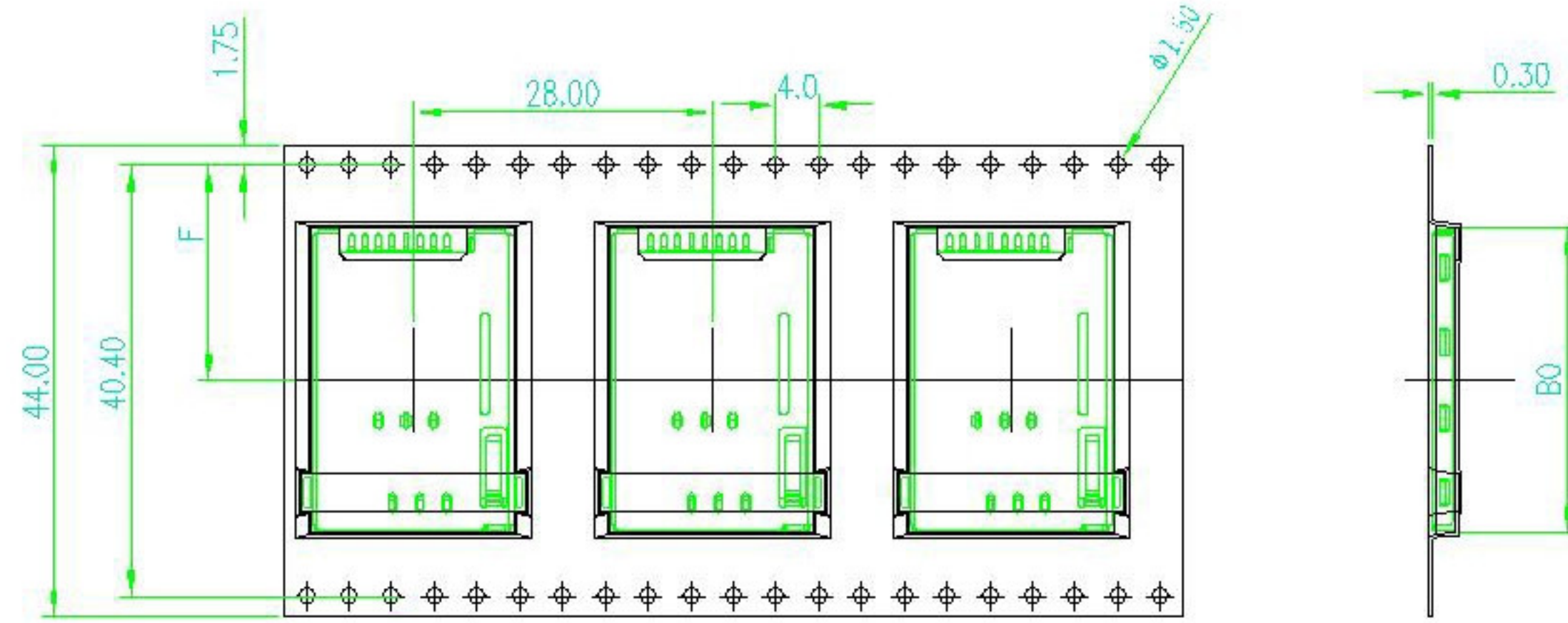
- * Electrical Characteristics :
 - Current Rating: 0.5A AC/DC Max.
 - Dielectric Withstanding Voltage: 250V AC/DC
 - Insulation Resistance: 500M ohms Min.
 - Contact Resistance: 100m ohms Max.
- * Mechanical Characteristics:
 - Mating Cycles: 5000 Insertions.
- * Environmental :
 - Operating Temperature: -40°C to +85°C.
- * Material:
 - 1.Housing:HI-Temp plastic UL 94V-0 Rated.
 - 2.Contact:Copper Alloy.
 - 3.Shell:Stainless Steel,t=0.20mm.
- * Plating :
 - Terminal:
 - Contact area: G/F Plated Over Nickel.
 - Solder area: Tin Plated Over Nickel.
 - Under plate: Nickel.
 - Shell:
 - Nickel Plated Over All,
 - Solder Area: Gold Flash.

PIN NO.	DESCRIPTION
P1#	C1:VCC
P2#	C5:GND
P3#	C2:RST
P4#	C6:VPP
P5#	C3:CLK
P6#	C7:I/O
P7#	CD SW LOWER
P8#	CD SW UPPER



REVISIONS					UNSPECIFIED TOLERANCES		KXB INDUSTRIAL PRECISION CO.,LIMITED			MODEL TYPE: SIM CARD CONN			
△X					ANGLAR	±5°	DSND	DATE	SCALE: N/A	PART NO.:			
△X					L ≤ 4	±0.2	DWN	DATE	VIEW:	DWG NO.: XKSIM-010			
△X					4 < L ≤ 16	±0.3	CHKD	DATE	UNIT: mm	WEIGHT			
MARK	DESCRIPTION	DATE	REVISED	APPROVED	16 < L ≤ 63	±0.4	APPD	DATE	SIZE: A4	SHEET			
					L > 63	±0.5				REVISION			
www.xk-dg.cn www.helloxkb.com www.helloxkb.cn								KXB INDUSTRIAL PRECISION CO.,LIMITED			1.0g 1/1 A0		

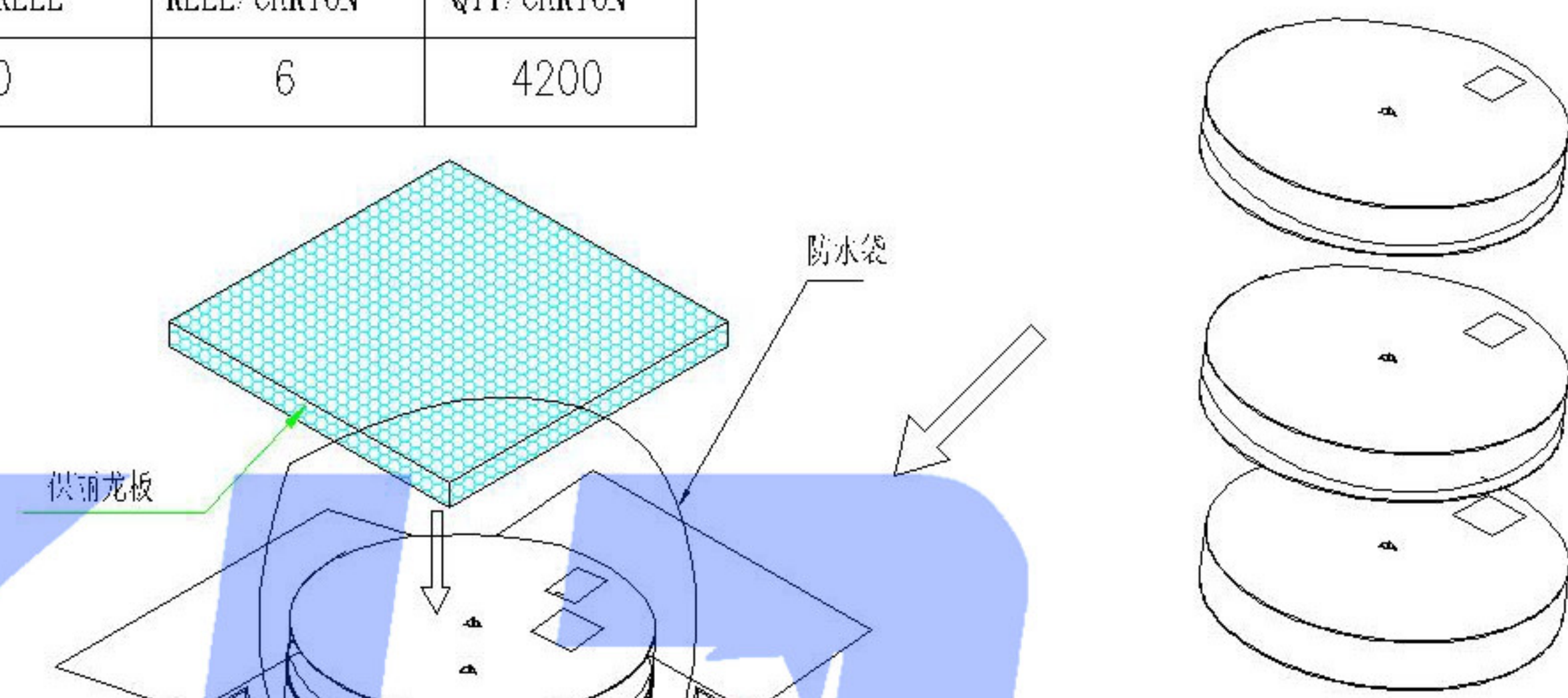
〈图一〉



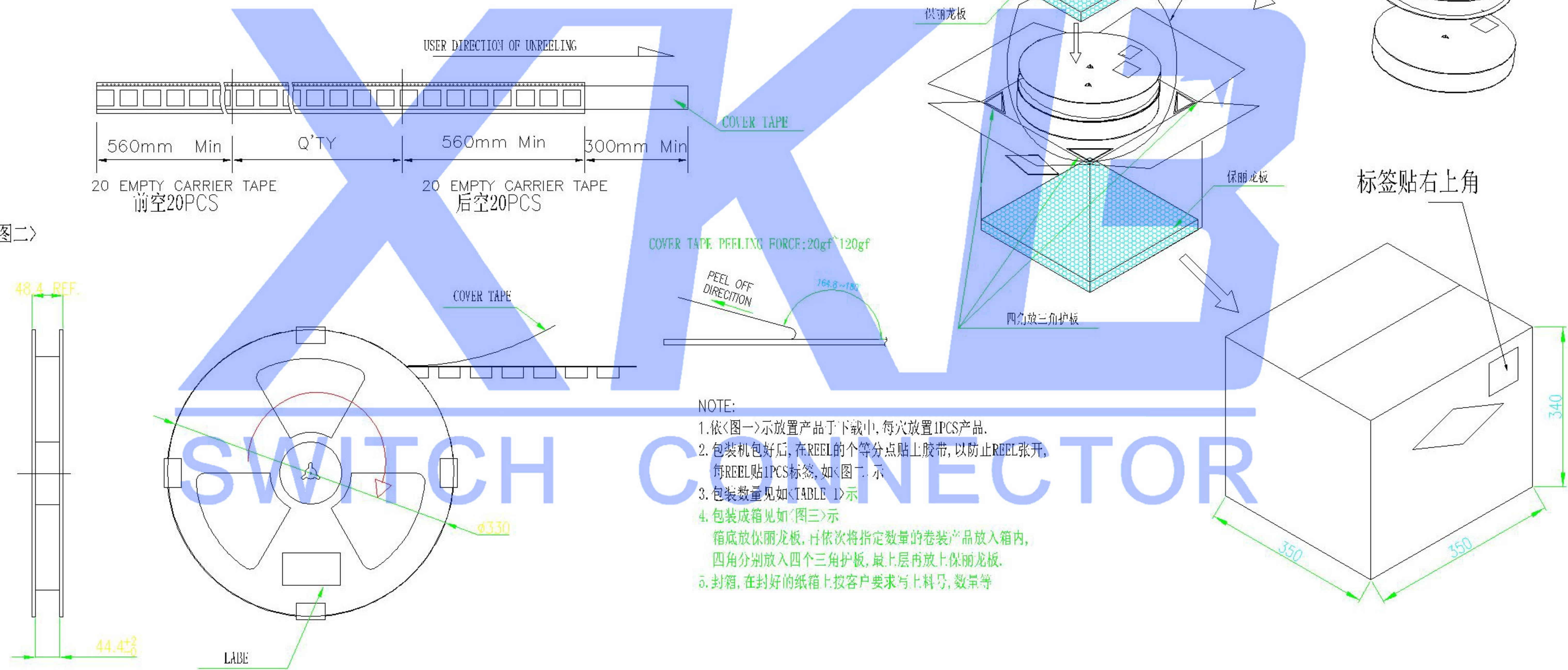
〈TABLE 1〉 PACKAGING QUANTITY

QTY/REEL	REEL/CARTON	QTY/CARTON
700	6	4200

〈图三〉



〈图二〉



- NOTE:
1. 依〈图一〉示放置产品于下表中, 每次放置1PCS产品.
 2. 包装机包好后, 在REEL的个等分点贴上胶带, 以防止REEL张开, 每REEL贴1PCS标签, 如〈图二〉示.
 3. 包装数量见如〈TABLE 1〉示.
 4. 包装成箱见如〈图三〉示.
箱底放防静电板, 并依次将指定数量的卷装产品放入箱内, 四角分别放入四个三角护板, 最上层再放上防静电板.
 5. 封箱, 在封好的纸箱上按客户要求写上料号, 数量等.

MARK	DESCRIPTION	DATE	REVISED	APPROVED	UNSPECIFIED TOLERANCES	DSND	DATE	SCALE: N/A	MODEL TYPE: SIM CARD CONN		
△X					ANGLAR ±5°	DWN	DATE	VIEW:	PART NO.:		
△X					L ≤ 4 ±0.2	CHKD	DATE	UNIT: mm	DWG NO.:		
△X					4 < L ≤ 16 ±0.3	APPD	DATE	SIZE: A4	XKSIM-010		
					16 < L ≤ 63 ±0.4	XKB INDUSTRIAL PRECISION CO., LIMITED			WEIGHT	SHEET	REVISION
					L > 63 ±0.5				1.0g	1/1	A0

X-ON Electronics

Largest Supplier of Electrical and Electronic Components

Click to view similar products for [Standard Card Edge Connectors](#) category:

Click to view products by [XKB](#) manufacturer:

Other Similar products are found below :

[6565204-6](#) [PKC-156](#) [1437274-4](#) [147889-1](#) [1489165-4](#) [EBT156-12B1X](#) [EBT15622B2X](#) [EBT156-22R2W](#) [1-582587-1](#) [1-582589-1](#) [2-6437275-9](#) [284-0102-12100](#) [306022901000000](#) [307-012-502-202](#) [307-024-526-201](#) [307-056-520-300](#) [307-080-526-208](#) [1926088-2](#) [245-062-520-350](#) [287-0032-12101](#) [306-010-500-112](#) [306-028-525-102](#) [306-240-318](#) [307-036-502-202](#) [307-036-521-301](#) [307-072-526-202](#) [345-060-559-303](#) [368-004-520-201](#) [392-008-559-201](#) [534671-1](#) [5-530501-5](#) [341-240-317](#) [345-029-520-300](#) [345-030-500-301](#) [345-044-500-300](#) [345-220-058](#) [346-240-318](#) [387-012-523-300](#) [395-044-520-300](#) [395-100-524-300](#) [50-12B-10](#) [50-6SN-5](#) [09-07-2032](#) [10035388-106LF](#) [10035388-802LF](#) [10115859-011LF](#) [10122859-009LF](#) [101269333204245CLF](#) [10127905-B04B24BLF](#) [530555-1](#)