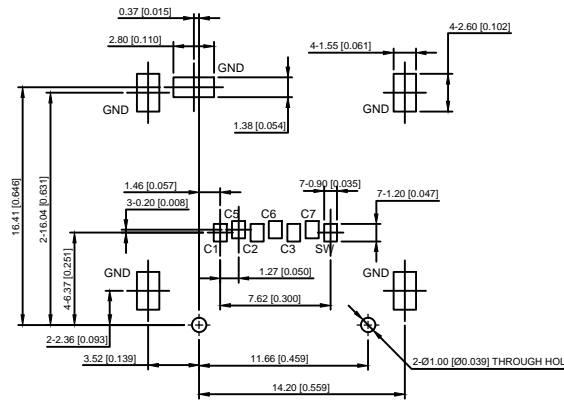
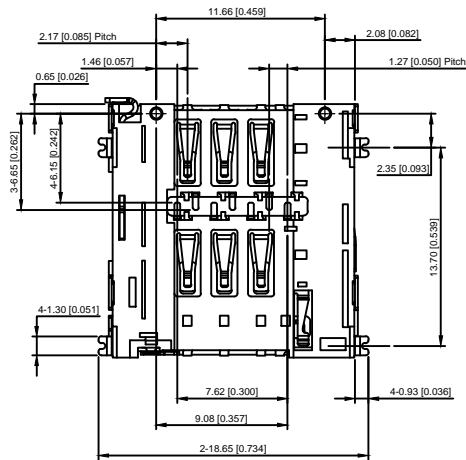
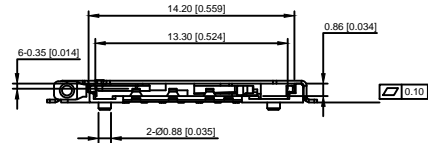
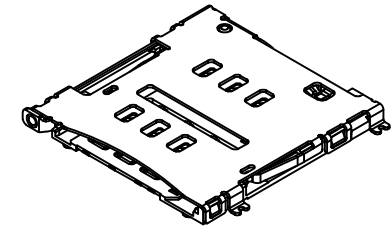


WITHOUT TRAY	TRAY INSERT
Pin No.	Description
C1	Supply Voltage (Vcc)
C2	Reset (RST)
C3	Clock (CLK)
C5	Ground
C6	Programming Voltage (Vcc)
C7	I/O
SW	Detect Switch
GND	Shielding Ground



规格 Specification

材料 Material:

绝缘体 Insulator :High Temperature Thermoplastic. UL-94V-0

触点 Contact:Copper Alloy

保护壳 Shield Shell : Stainless Steel

电镀 Plating:

触点 Contact:Plsted 50u"Ni overall, Contact Area 1u"Au

保护壳 Shield Shell : Plsted 30u" min. Solderability Ni overall

电气 Electrical:

额定电流 Current Rating :0.5A

额定电压 Voltage Rating :30V AC/DC

环境温度 Ambient Temperature Range:-20℃~+85℃

保存温度范围 Storage Temperature Range:-50℃~+100℃

环境湿度范围 Ambient Humidity Range :95% R.H. Max.

接触电阻 Contact Resistance : 100mΩ Max.

绝缘电阻 Insulation Resistance:1000MΩ Min./500V DC

插拔次数 Mating Cycles : 3000Min Insertions

MARK	DESCRIPTION	DATE	REVISED	APPROVED	UNSPECIFIED TOLERANCES	DSND	DATE	SCALE: N/A	MODEL TYPE: SIM CARD CONN		
ΔX					ANGLAR ±5°	DWN	DATE	VIEW:	PART NO.:		
ΔX					L ≤ 4 ±0.2	CHKD	DATE	UNIT: mm/in	DWG NO.:		
ΔX					4 < L ≤ 16 ±0.3	APPD	DATE	SIZE: A4	XXSIM-1130-1		
ΔX					16 < L ≤ 63 ±0.4				WEIGHT	SHEET	REVISION
ΔX					L > 63 ±0.5				1.0g	1/1	A0
						XKB INDUSTRIAL PRECISION CO., LIMITED					

X-ON Electronics

Largest Supplier of Electrical and Electronic Components

Click to view similar products for [Memory Card Connectors](#) category:

Click to view products by [XKB](#) manufacturer:

Other Similar products are found below :

[M21-033321-005](#) [6407-249V-25273P](#) [6407-249V-25343P](#) [69.920.0553.0](#) [809180410000000](#) [DM3AT-SF-PEJM5\(41\)](#) [HMCAP001](#) [252-0144-000](#) [2041353-2](#) [308-DS1P0811-192](#) [33CFAE-DN](#) [HM2P09PDR360N9LF](#) [502431-1011](#) [10-629549-258N](#) [11327-001](#) [11327-002](#) [617230001](#) [95622-003LF](#) [N7E50-U516RB-50-SIN0005](#) [95079-00CALF](#) [84648-056HLF](#) [93-570123-08P](#) [125A-78C00](#) [MI20A-50PD-SF-EJL\(71\)](#) [KP10S-SF-PEJ\(812\)](#) [504536-0691](#) [CCM03-3109 B LFT](#) [MI21-50PD-SF\(91\)](#) [2309923-1](#) [61126-050CAHLF](#) [IC1GA-68PD-1.27DS-EJ\(72\)](#) [GTFF08432B1HR](#) [G85DT17001P1EU](#) [G85C11101152HHR](#) [G85D1160022HHR](#) [KP15TL-SF\(800\)](#) [KP10BH-8S-SF\(800\)](#) [SCE2MSDB76A121SN](#) [SCE2MSDZN76A121SN](#) [C00710B0250001](#) [CCM01-2664 LFT T25](#) [47309-2651](#) [47481-0001](#) [055036006202862+](#) [67799-0004](#) [91228-3006](#) [104168-1616](#) [104C-TAA1](#) [112I-TA01](#) [112K-TAA0-RA1](#)