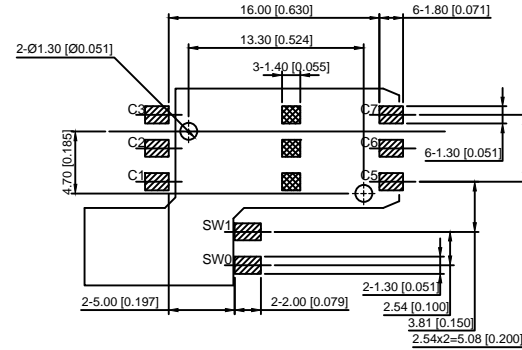


Detail B
Scale 5:1



Section A-A

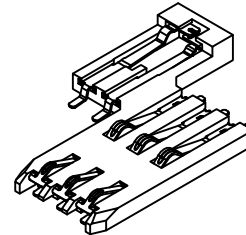
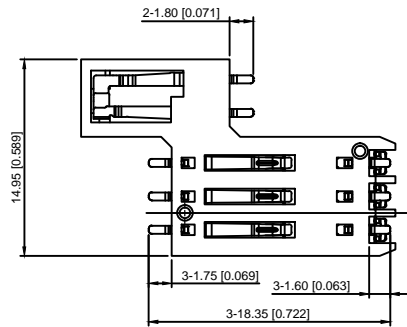
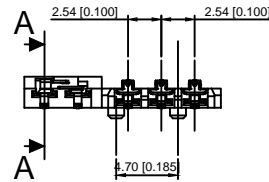
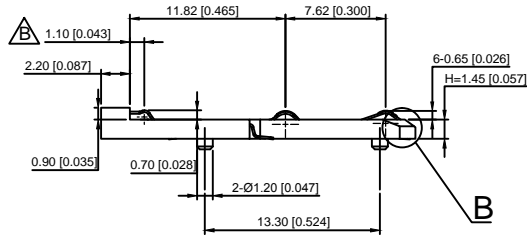
XKB Connectivity



BOARD PAD NO WIRING AREA

Recommended PCB Layout
General Tolerance : ±0.10mm

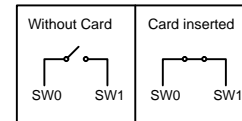
XKB Connectivity



XKB Connectivity

NOTE

- 材料 Material:
 - 1-1 胶壳 Housing: High Temperature Thermoplastic, LCP, Color:Black, UL94V-0
 - 1-2 终端和开关 Terminal and Switch: Phosphor Bronze, T=0.15mm
- 电镀 Plating:
 - 接触电阻 Contact Area: Gold 1u"
 - 焊料区 Solder Area: Gold Flash.
 - 底镀 Underplating: Ni overall 80u"min.
- 规格 Specification:
 - 3-1 触点电流额定值 Contact Current Rating: 0.5A
 - 3-2 介电耐受电压 Dielectric Withstanding Voltage: AC500V r.m.s.
 - 3-3 绝缘电阻 Insulation Resistance: 1000 MΩ Minimum. at DC 500V.
 - 3-4 接触电阻 Contact Resistance: 100 mΩ Maximum.
 - 3-5 寿命 Mating Cycle: 100,000 Insertions.



					ANGULAR	±5°	DSND		DATE	SCALE: N/A	MODEL TYPE: Smart card CONN
ΔX					L ≤ 4	±0.2	DWN		DATE	VIEW:	PART NO.:
ΔX					4 < L ≤ 16	±0.3	CHKD		DATE	UNIT: mm/in	DWG NO.:
ΔX					16 < L ≤ 63	±0.4	APPD		DATE	SIZE: A4	XKSMC-1200-145
MARK	DESCRIPTION	DATE	REVISED	APPROVED	L > 63	±0.5	XKB INDUSTRIAL PRECISION CO., LIMITED				WEIGHT 1.0g
REVISIONS						UNSPECIFIED TOLERANCES					SHEET 1/1
www.xk-dg.cn www.helloxkb.com www.helloxkb.cn										REVISION A0	

X-ON Electronics

Largest Supplier of Electrical and Electronic Components

Click to view similar products for [Memory Card Connectors](#) category:

Click to view products by [XKB](#) manufacturer:

Other Similar products are found below :

[M21-033321-005](#) [6407-249V-25273P](#) [6407-249V-25343P](#) [69.920.0553.0](#) [809180410000000](#) [DM3AT-SF-PEJM5\(41\)](#) [HMCAP001](#) [252-0144-000](#) [2041353-2](#) [308-DS1P0811-192](#) [33CFAE-DN](#) [HM2P09PDR360N9LF](#) [502431-1011](#) [10-629549-258N](#) [11327-001](#) [11327-002](#) [617230001](#) [95622-003LF](#) [N7E50-U516RB-50-SIN0005](#) [95079-00CALF](#) [84648-056HLF](#) [93-570123-08P](#) [125A-78C00](#) [MI20A-50PD-SF-EJL\(71\)](#) [KP10S-SF-PEJ\(812\)](#) [504536-0691](#) [CCM03-3109 B LFT](#) [MI21-50PD-SF\(91\)](#) [2309923-1](#) [61126-050CAHLF](#) [IC1GA-68PD-1.27DS-EJ\(72\)](#) [GTFF08432B1HR](#) [G85DT17001P1EU](#) [G85C11101152HHR](#) [G85D1160022HHR](#) [KP15TL-SF\(800\)](#) [KP10BH-8S-SF\(800\)](#) [SCE2MSDB76A121SN](#) [SCE2MSDZN76A121SN](#) [C00710B0250001](#) [CCM01-2664 LFT T25](#) [119A-40A00-R02](#) [47309-2651](#) [47481-0001](#) [055036006202862+](#) [67799-0004](#) [91228-3006](#) [104168-1616](#) [104C-TAA1](#) [112I-TA01](#)