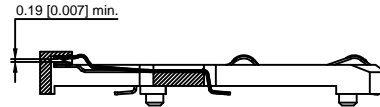
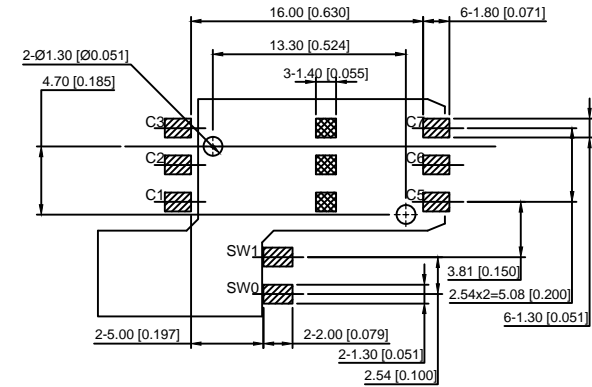
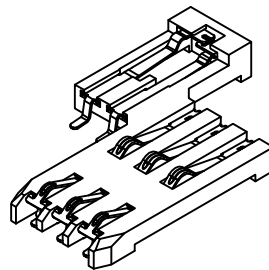
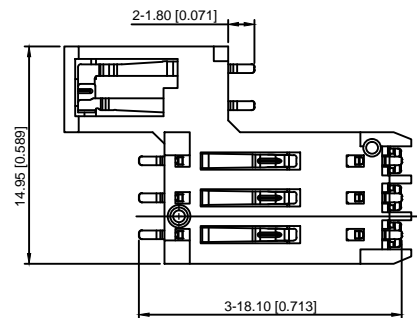
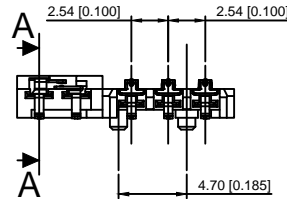
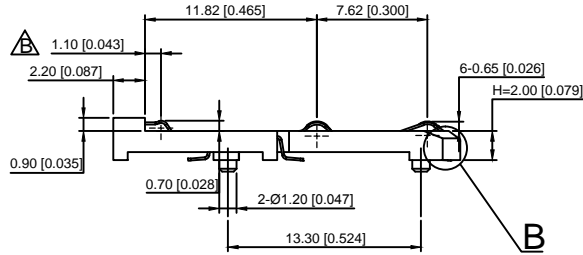


Detail B
Scale 5:1



Section A-A



▨ BOARD PAD ▩ NO WIRING AREA

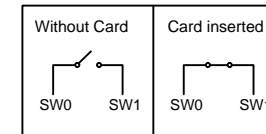
Recommended PCB Layout
General Tolerance: ±0.05mm

XKB Connectivity

XKB Connectivity

NOTE:

- 1.材料 Material:
1-1 胶壳 Housing: High Temperature Thermoplastic, LCP, Color:Black, UL94V-0
1-2 终端和开关 Terminal and Switch: Phosphor Bronze, T=0.15mm
- 2.电镀 Plating:
接触电阻 Contact Area: Gold 1u"
焊料区 Solder Area: Matte Tin 100u"min.
底镀 Underplating: Ni overall 80u" min.
- 3.规格 Specification:
3-1 触点额定电流 Contact Current Rating: 0.5A
3-2 绝缘耐压 Dielectric Withstanding Voltage: AC500V r.ms.
3-3 绝缘电阻 Insulation Resistance: 1000 MΩ Minimum, at DC 500V.
3-4 接触电阻 Contact Resistance: 100 mΩ Maximum.
3-5 寿命 Mating Cycle: 100,000 Insertions.



					ANGLAR	±5°
ΔX					L ≤ 4	±0.2
ΔX					4 < L ≤ 16	±0.3
ΔX					16 < L ≤ 63	±0.4
MARK					L > 63	±0.5
REVISIONS					UNSPECIFIED TOLERANCES	
DESCRIPTION		DATE	REVISED	APPROVED		
www.xk-dg.cn		www.helloxkb.com		www.helloxkb.cn		

DSND		DATE		SCALE: N/A	MODEL TYPE: Smart card CONN	
DWN		DATE		VIEW:	PART NO.:	
CHKD		DATE		UNIT: mm/in	DWG NO.:	
APPD		DATE		SIZE: A4	XKSMC-1200-200	
XKB INDUSTRIAL PRECISION CO., LIMITED				WEIGHT	SHEET	REVISION
				1.0g	1/1	A0

X-ON Electronics

Largest Supplier of Electrical and Electronic Components

Click to view similar products for [Memory Card Connectors](#) category:

Click to view products by [XKB](#) manufacturer:

Other Similar products are found below :

[M21-033321-005](#) [6407-249V-25273P](#) [6407-249V-25343P](#) [69.920.0553.0](#) [809180410000000](#) [DM3AT-SF-PEJM5\(41\)](#) [HMCAP001](#) [252-0144-000](#) [2041353-2](#) [308-DS1P0811-192](#) [33CFAE-DN](#) [HM2P09PDR360N9LF](#) [502431-1011](#) [10-629549-258N](#) [11327-001](#) [11327-002](#) [617230001](#) [95622-003LF](#) [N7E50-U516RB-50-SIN0005](#) [95079-00CALF](#) [84648-056HLF](#) [93-570123-08P](#) [125A-78C00](#) [MI20A-50PD-SF-EJL\(71\)](#) [KP10S-SF-PEJ\(812\)](#) [504536-0691](#) [CCM03-3109 B LFT](#) [MI21-50PD-SF\(91\)](#) [2309923-1](#) [61126-050CAHLF](#) [IC1GA-68PD-1.27DS-EJ\(72\)](#) [GTFFP08432B1HR](#) [G85DT17001P1EU](#) [G85C11101152HHR](#) [G85D1160022HHR](#) [KP15TL-SF\(800\)](#) [KP10BH-8S-SF\(800\)](#) [SCE2MSDB76A121SN](#) [SCE2MSDZN76A121SN](#) [C00710B0250001](#) [CCM01-2664 LFT T25](#) [47309-2651](#) [47481-0001](#) [055036006202862+](#) [67799-0004](#) [91228-3006](#) [104168-1616](#) [104C-TAA1](#) [112I-TA01](#) [112K-TAA0-RA1](#)