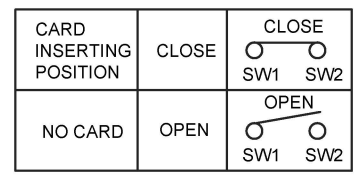
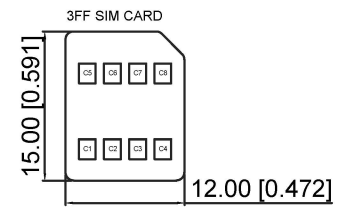
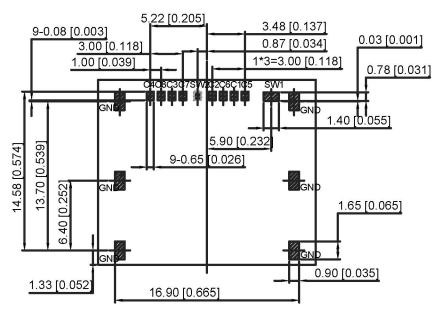


DETECT SWITCH



Card is not inserted;
Sw2 and Sw1/GND pin is open
Card is inserted;
Sw2 and Sw1/GND pin is close



NOTES:

- MATERIAL:
 - Housing: High Temperature Thermoplastic UL94V-0; Color Black.
 - Terminal: Copper Alloy.
 - Shell: Stainless Steel.
- SPECIALITY:
 - Rated current: 1.0A
 - Rated voltage: 50V
 - Contact Resistance: 100mΩ MAX
 - Insulation Resistance: 1000MΩ MIN 500V DC
 - Dielectric withstanding voltage: 500V AC.
 - Solder ability: 255±5°C, 5±0.5s.
 - Durability: 5000 Cycles Min.
 - Operating condition: Temperature -40°C ~ +85°C; Humidity 80% R.H MAX
- PLEASE CONTACT JITS SALES REPRESENTATIVE TO VERIFY PRODUCT DETAILS & AVAILABILITY

ITEM	PART NAME	QTY	MATERIAL	FINISHING
1	HOUSING	1	LCP	Black UL94V-0
2	TERMINAL	9	COPPER ALLOY	Contact area: Gold plated
3	SHELL	1	SUS	SMT area: Gold plated
4	LINK	1	SUS304	
5	SPRING	1	SWP	
6	SLIDER	1	LCP	Black UL94V-0

RECOMMENDED PCB LAYOUT

TOP VIEW(TOLERANCE±0.05)

PAD AREA

广东星坤科技股份有限公司

生	日期
效	
ΔX	
ΔX	
ΔX	

文件工程章

REVISIONS

www.helloxkb.com www.helloxkb.com

ANGULAR	±5°
L ≤ 4	±0.2
4 < L ≤ 16	±0.3
16 < L ≤ 63	±0.4
L > 63	±0.5

UNSPECIFIED TOLERANCES

DSND	DATE	SCALE: N/A	MODEL TYPE:
DWN	DATE	VIEW:	SIM CARD CONN
CHKD	DATE	UNIT: mm/in	PART NO.:
APPD	DATE	SIZE: A4	DWG NO.:
XKB INDUSTRIAL PRECISION CO., LIMITED			XKSMO-072-P9
WEIGHT	SHEET	REVISION	
1.0g	1/1	A0	

X-ON Electronics

Largest Supplier of Electrical and Electronic Components

Click to view similar products for [Memory Card Connectors](#) category:

Click to view products by [XKB](#) manufacturer:

Other Similar products are found below :

[M21-033321-005](#) [6407-249V-25273P](#) [6407-249V-25343P](#) [69.920.0553.0](#) [809180410000000](#) [DM3AT-SF-PEJM5\(41\)](#) [HMCAP001](#) [252-0144-000](#) [2041353-2](#) [308-DS1P0811-192](#) [33CFAE-DN](#) [HM2P09PDR360N9LF](#) [502431-1011](#) [10-629549-258N](#) [11327-001](#) [11327-002](#) [617230001](#) [95622-003LF](#) [N7E50-U516RB-50-SIN0005](#) [95079-00CALF](#) [84648-056HLF](#) [93-570123-08P](#) [125A-78C00](#) [MI20A-50PD-SF-EJL\(71\)](#) [KP10S-SF-PEJ\(812\)](#) [504536-0691](#) [CCM03-3109 B LFT](#) [MI21-50PD-SF\(91\)](#) [2309923-1](#) [61126-050CAHLF](#) [IC1GA-68PD-1.27DS-EJ\(72\)](#) [GTFF08432B1HR](#) [G85DT17001P1EU](#) [G85C11101152HHR](#) [G85D1160022HHR](#) [KP15TL-SF\(800\)](#) [KP10BH-8S-SF\(800\)](#) [SCE2MSDB76A121SN](#) [SCE2MSDZN76A121SN](#) [C00710B0250001](#) [CCM01-2664 LFT T25](#) [47309-2651](#) [47481-0001](#) [055036006202862+](#) [67799-0004](#) [91228-3006](#) [104168-1616](#) [104C-TAA1](#) [112I-TA01](#) [112K-TAA0-RA1](#)