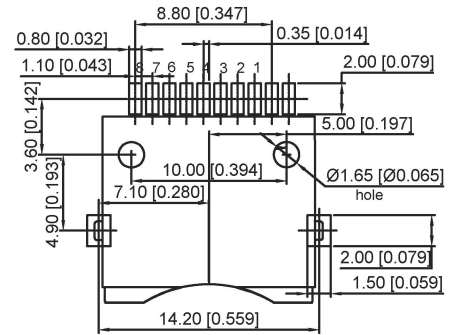
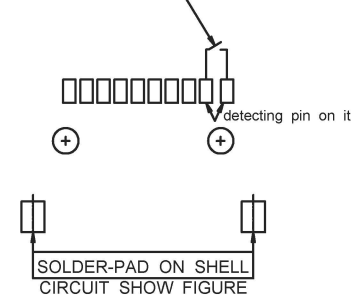


Pin No.	NAME	TYPE
1	DAT 2	I/O/PP
2	CD/DAT 3	I/O/PP
3	CMD	PP
4	VDD	S
5	CLK	I
6	VSS	S
7	DAT0	I/O/PP
8	DAT1	I/O/PP



RECOMMEN P.C.B LAYOUT(TOP VIEW)
GENERAL TOLERANCE ±0.05

WITHOUT CARD,SWITCH OPENED IN THE CONNECTOR;
WHEN CARD PUSHED-IN,SWITCH WAS CLOSED



- ELECTRICAL CHARACTERISTIC5
 - CONTACT RESISTANCE: 50 milliohms MAX.
 - INSULATION RESISTANCE: 1.000 Megohms MIN.
 - DIELECTRIC WITHSTANDING VOLTAGE:500V AC FOR 1 MINUTE.
- MECHANICAL CHARACTERISTICS
 - RETENTION FORCE:MIN.100gf/PIN
 - RoHS 2002/95/EC COMPLIANT.
- RESISTANCE TO REFLOW SOLDERING HEAT:260°C Max

ITEM	PAPT NAMF	QTY	MATERIAL	FINISHING
③	Shell	1	BRASS	
②	Terminal	10	BRASS	
①	Housing	1	LCP UL 94V-0	BLACK

广东星坤科技股份有限公司

生	日期
效	日期
MARK	DESCRIPTION
文件	工程

MARK	DESCRIPTION	DATE	REVISED	APPROVED	UNSPECIFIED TOLERANCES

DSND	DATE	SCALE: N/A	MODEL TYPE:
DWN	DATE	VIEW:	TF CARD CONN
CHKD	DATE	UNIT: mm/in	PART NO.:
APPD	DATE	SIZE: A4	DWG NO.:
			XKTF-005
			WEIGHT
			1.0g
			SHEET
			1/1
			REVISION
			A0

XKB INDUSTRIAL PRECISION CO.,LIMITED

X-ON Electronics

Largest Supplier of Electrical and Electronic Components

Click to view similar products for [Memory Card Connectors](#) category:

Click to view products by [XKB](#) manufacturer:

Other Similar products are found below :

[M21-033321-005](#) [6407-249V-25273P](#) [6407-249V-25343P](#) [69.920.0553.0](#) [809180410000000](#) [DM3AT-SF-PEJM5\(41\)](#) [HMCAP001](#) [252-0144-000](#) [2041353-2](#) [308-DS1P0811-192](#) [33CFAE-DN](#) [HM2P09PDR360N9LF](#) [502431-1011](#) [11327-001](#) [11327-002](#) [95622-003LF](#) [N7E50-U516RB-50-SIN0005](#) [95079-00CALF](#) [84648-056HLF](#) [93-570123-08P](#) [125A-78C00](#) [MI20A-50PD-SF-EJL\(71\)](#) [KP10S-SF-PEJ\(812\)](#) [504536-0691](#) [CCM03-3109 B LFT](#) [MI21-50PD-SF\(91\)](#) [2309923-1](#) [61126-050CAHLF](#) [IC1GA-68PD-1.27DS-EJ\(72\)](#) [GTFP08432B1HR](#) [G85DT17001P1EU](#) [G85C11101152HHR](#) [G85D1160022HHR](#) [KP15TL-SF\(800\)](#) [KP10BH-8S-SF\(800\)](#) [SCE2MSDB76A121SN](#) [SCE2MSDZN76A121SN](#) [C00710B0250001](#) [CCM01-2664 LFT T25](#) [47309-2651](#) [47481-0001](#) [055036006202862+](#) [67799-0004](#) [91228-3006](#) [104168-1616](#) [104C-TAA1](#) [112I-TA01](#) [112K-TAA0-RA1](#) [115S-ACA2](#) [115S-ACA3](#)