

Features

- Wide 5V to 40V Input Voltage Range
- 0.22V FB adjustable LED drive current
- Directly drive 2~10 Series 1W LED
- Fixed 400KHz Switching Frequency
- Max. 2A Switching Current Capability
- SW PIN Built in Over Voltage Protection
- Up to 93% efficiency
- Excellent line and load regulation
- EN PIN TTL shutdown capability
- Internal Optimize Power MOSFET
- Built in Soft-Start Function
- Built in Frequency Compensation
- Built in Thermal Shutdown Function
- Built in Current Limit Function
- Available in SOP8 package

Applications

- LED Lighting
- Boost constant current driver
- Monitor LED Backlighting
- 7' to 15' LCD Panels

General Description

The XL6013 regulator is fixed frequency PWM Boost (step-up) LED constant current driver, capable of driving Series 1W LED units with excellent line and load regulation. The regulator is simple to use because it includes internal frequency compensation and a fixed-frequency oscillator so that it requires a minimum number of external components to work.

The XL6013 could directly drive 5~10 Series 1W LED units at $V_{IN} > 12V$.

The PWM control circuit is able to adjust the duty ratio linearly from 0 to 90%. An enable function, an over current protection function is built inside. An internal compensation block is built in to minimize external component count.



Figure1. Package Type of XL6013

Pin Configurations

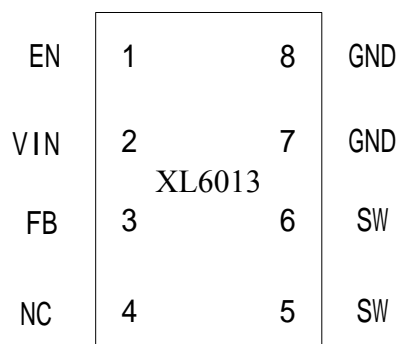


Figure2. Pin Configuration of XL6013 (Top View)

Table 1 Pin Description

Pin Number	Pin Name	Description
1	EN	Enable Pin. Drive EN pin low to turn off the device, drive it high to turn it on. Floating is default high.
2	VIN	Supply Voltage Input Pin. XL6013 operates from a 5V to 40V DC voltage. Bypass Vin to GND with a suitably large capacitor to eliminate noise on the input.
3	FB	Feedback Pin (FB). The feedback threshold voltage is 0.22V.
4	NC	No Connected.
5,6	SW	Power Switch Output Pin (SW). Output is the switch node that supplies power to the output.
7,8	GND	Ground Pin.

400KHz 60V 2A Switching Current Boost LED Constant Current Driver XL6013

Function Block

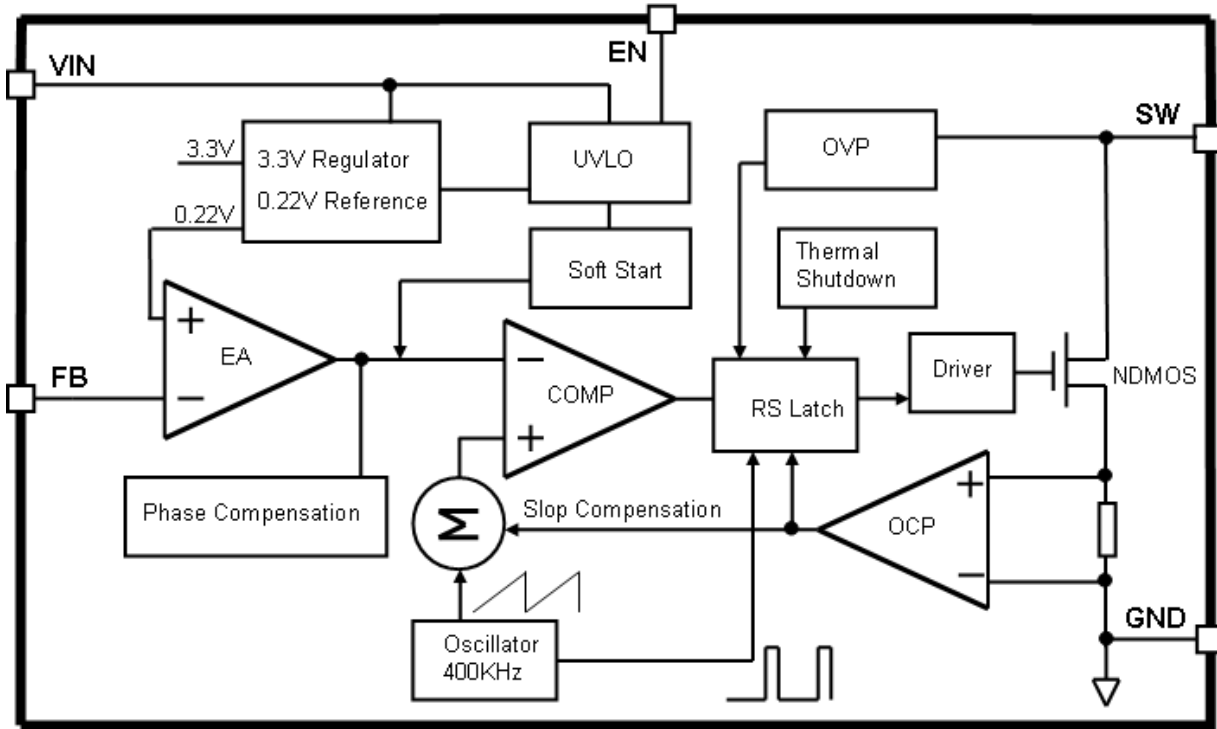


Figure3. Function Block Diagram of XL6013

Typical Application Circuit

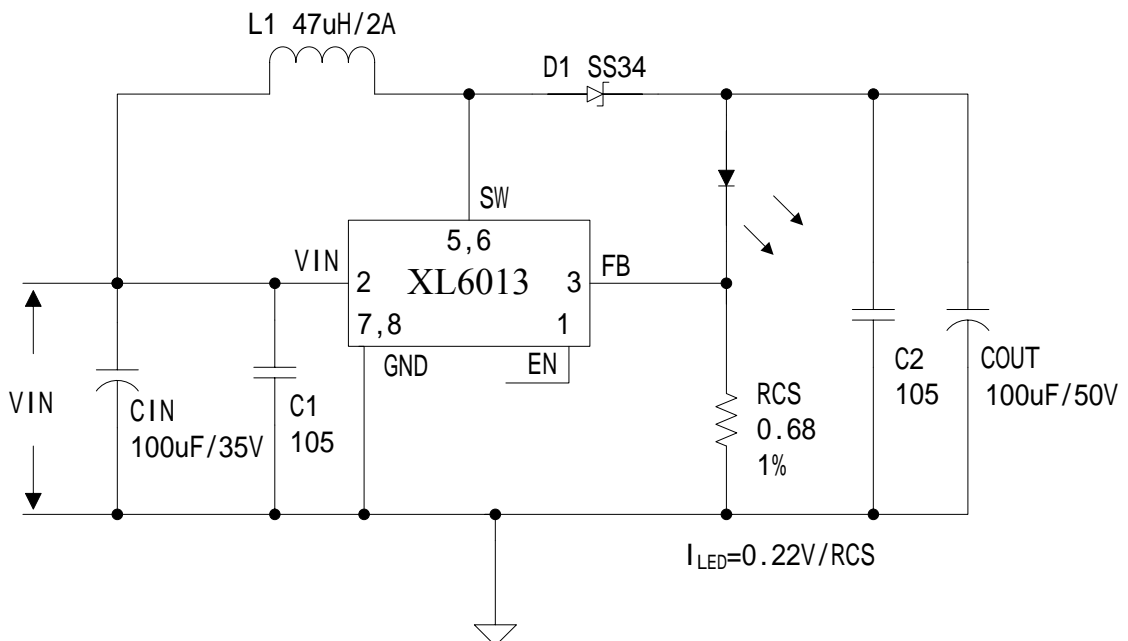


Figure4. XL6013 Typical Application Circuit

400KHz 60V 2A Switching Current Boost LED Constant Current Driver

XL6013

Ordering Information

Order Information	Marking ID	Package Type	Packing Type Supplied As
XL6013E1	XL6013E1	SOP8L	2500 Units on Tape & Reel

XLSEMI Pb-free products, as designated with “E1” suffix in the par number, are RoHS compliant.

Absolute Maximum Ratings (Note1)

Parameter	Symbol	Value	Unit
Input Voltage	V_{in}	-0.3 to 45	V
Feedback Pin Voltage	V_{FB}	-0.3 to V_{in}	V
EN Pin Voltage	V_{EN}	-0.3 to V_{in}	V
Output Switch Pin Voltage	V_{Output}	-0.3 to 60	V
Power Dissipation	P_D	Internally limited	mW
Thermal Resistance (SOP8) (Junction to Ambient, No Heatsink, Free Air)	R_{JA}	100	°C/W
Maximum Junction Temperature	T_J	-40 to 150	°C
Operating Junction Temperature	T_J	-40 to 125	°C
Storage Temperature	T_{STG}	-65 to 150	°C
Lead Temperature (Soldering, 10 sec)	T_{LEAD}	260	°C
ESD (HBM)		>2000	V

Note1: Stresses greater than those listed under Maximum Ratings may cause permanent damage to the device. This is a stress rating only and functional operation of the device at these or any other conditions above those indicated in the operation is not implied. Exposure to absolute maximum rating conditions for extended periods may affect reliability.

400KHz 60V 2A Switching Current Boost LED Constant Current Driver

XL6013

XL6013 Electrical Characteristics

$T_a = 25$; unless otherwise specified.

Symbol	Parameter	Test Condition	Min.	Typ.	Max.	Unit
<i>System parameters test circuit figure4</i>						
VFB	Feedback Voltage	$V_{in} = 5V \text{ to } 12V, V_{out}=24V$ $I_{load}=100mA$	213.4	220	226.6	mV
η	Efficiency	$V_{in}=12V, V_{out}=24V$ $I_{out}=0.3A$	-	93	-	%

Electrical Characteristics (DC Parameters)

$V_{in} = 12V, GND=0V, V_{in}$ & GND parallel connect a 100uf/50V capacitor; $I_{out}=100mA, T_a = 25$; the others floating unless otherwise specified.

Parameters	Symbol	Test Condition	Min.	Typ.	Max.	Unit
Input operation voltage	V_{in}		5		40	V
Shutdown Supply Current	I_{STBY}	$V_{EN}=0V$		70	100	μA
Quiescent Supply Current	I_q	$V_{EN} = 2V,$ $V_{FB}=V_{in}$		2.5	5	mA
Oscillator Frequency	F_{osc}		320	400	480	KHz
SW OVP	V_{SW}	$V_{FB}=0V$		60		V
Switch Current Limit	I_L	$V_{FB} = 0V$		2		A
Output Power NMOS	R_{dson}	$V_{in}=12V,$ $I_{sw}=2A$		110	120	mohm
EN Pin Threshold	V_{EN}	High (Regulator ON)		1.4		V
		Low (Regulator OFF)		0.8		
EN Pin Input Leakage Current	I_H	$V_{EN} = 2V$ (ON)		3	10	μA
	I_L	$V_{EN} = 0V$ (OFF)		3	10	μA
Max. Duty Cycle	D_{MAX}	$V_{FB}=0V$		90		%

Typical System Application (Recommend output voltage safe work range)

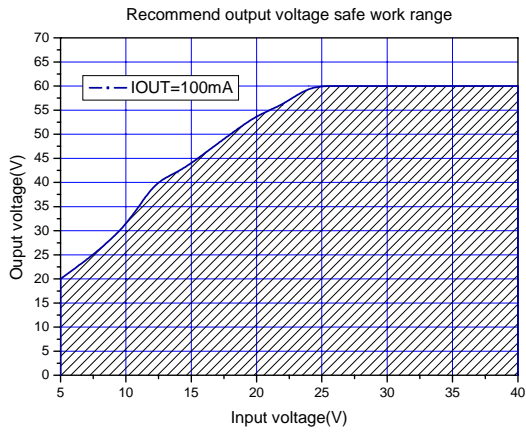


Figure5.Max output voltage(IOU=100mA)

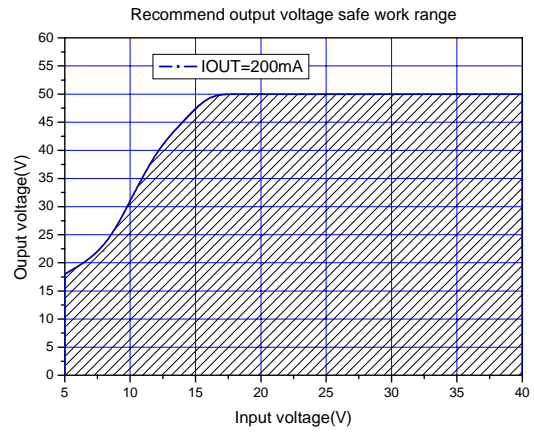


Figure6.Max output voltage(IOU=200mA)

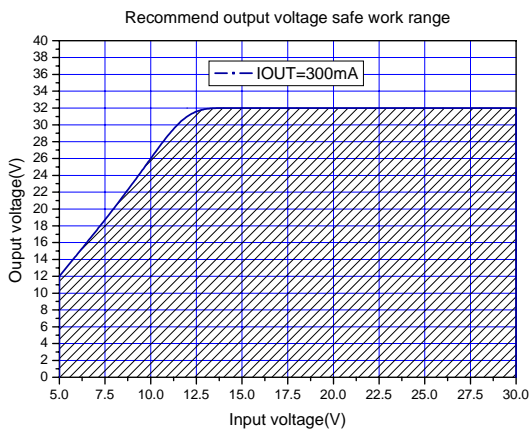


Figure7.Max output voltage(IOU=300mA)

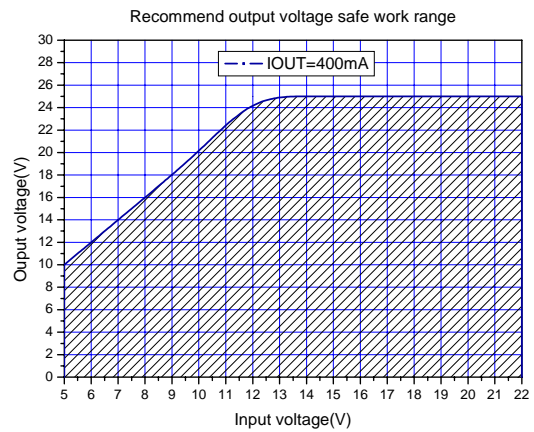


Figure8.Max output voltage(IOU=400mA)

400KHz 60V 2A Switching Current Boost LED Constant Current Driver XL6013

Typical System Application (VIN=5V~40V, IOU=150mA)

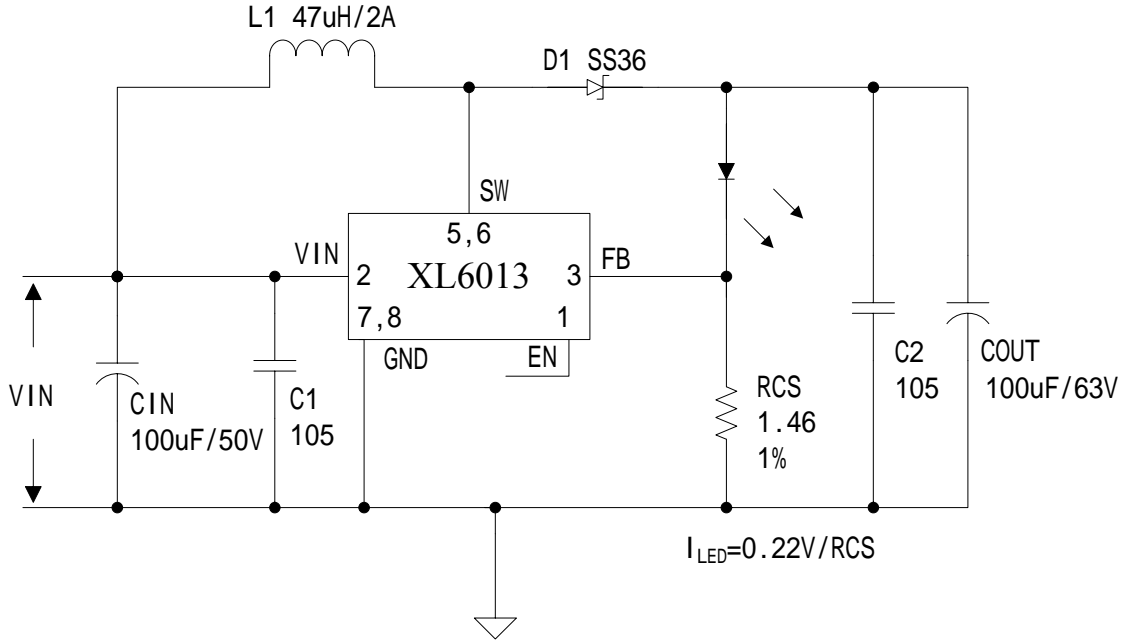


Figure9. XL6013 System Parameters Test Circuit (VIN=5V~40V, IOU=150mA)

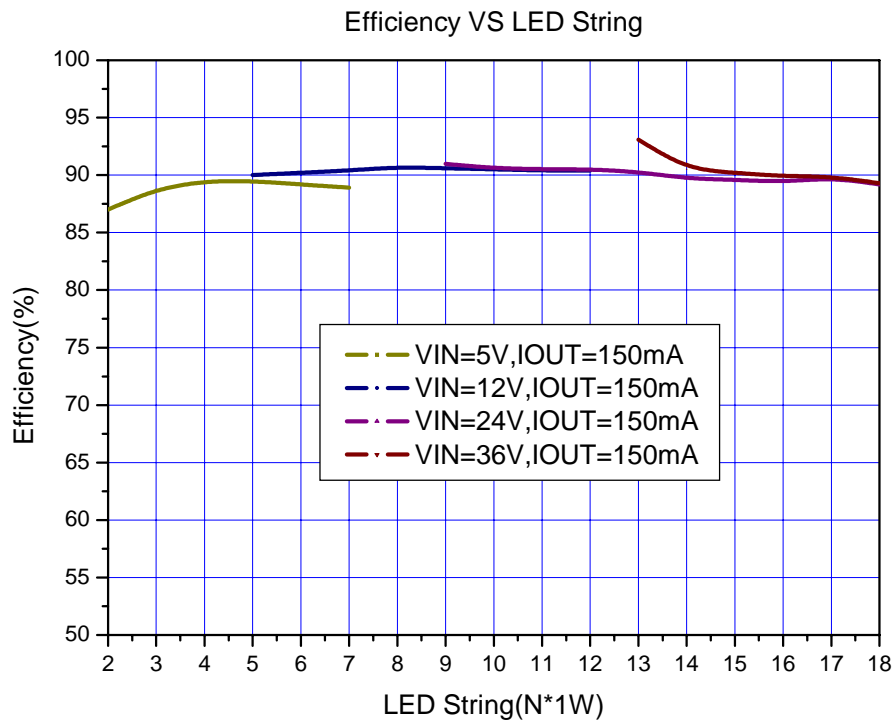


Figure10. XL6013 System Efficiency Curve

Typical System Application (VIN=5V~30V, IOU=320mA)

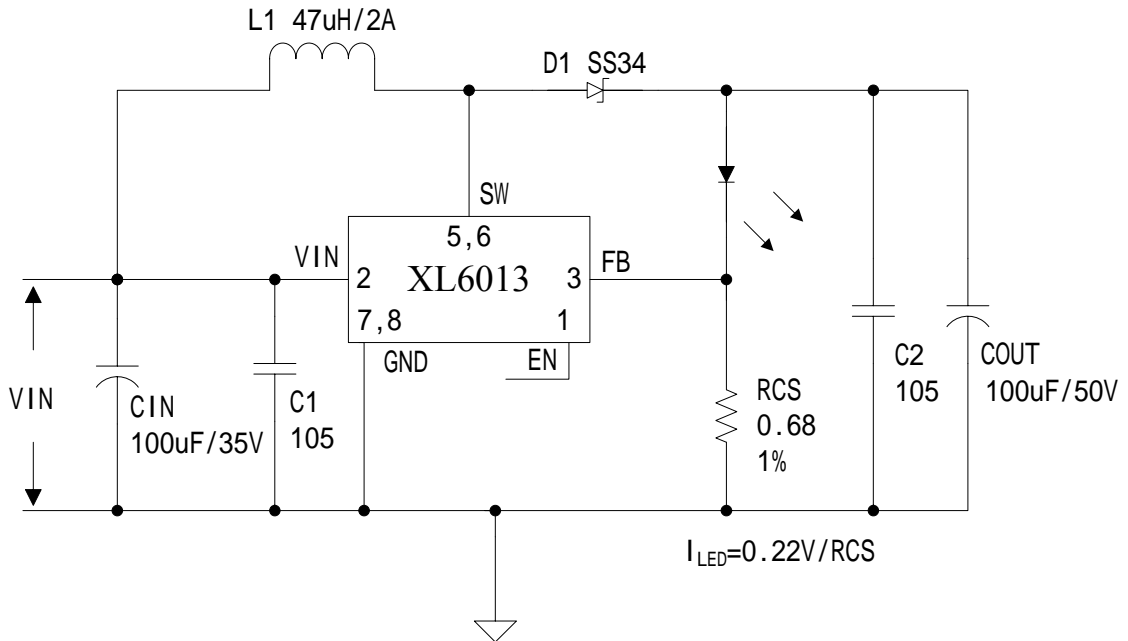


Figure11. XL6013 System Parameters Test Circuit (VIN=5V~30V, IOU=320mA)

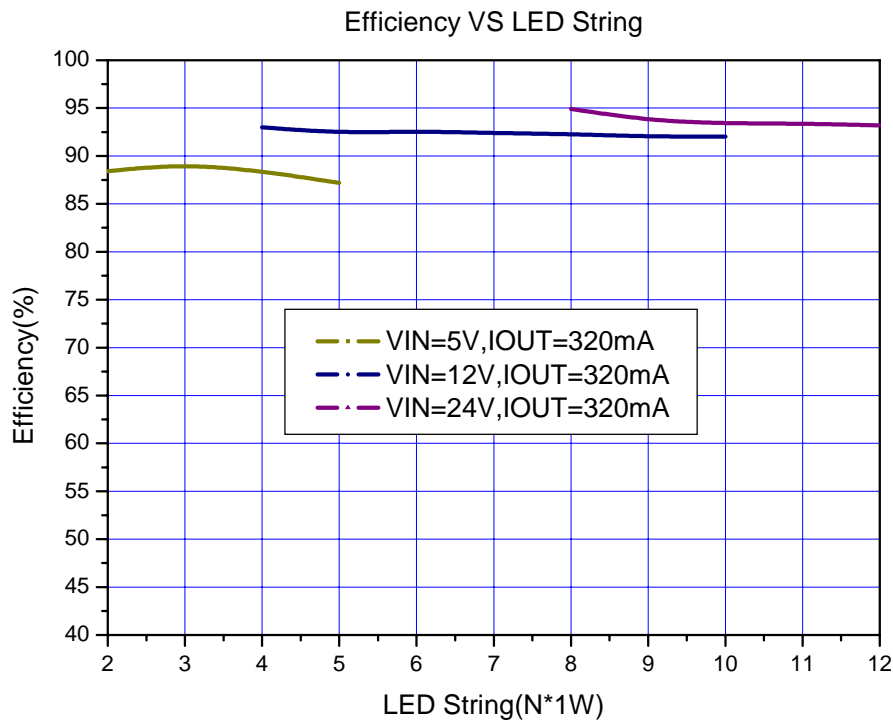


Figure12. XL6013 System Efficiency Curve

Typical System Application for SEPIC Buck-Boost LED Driver

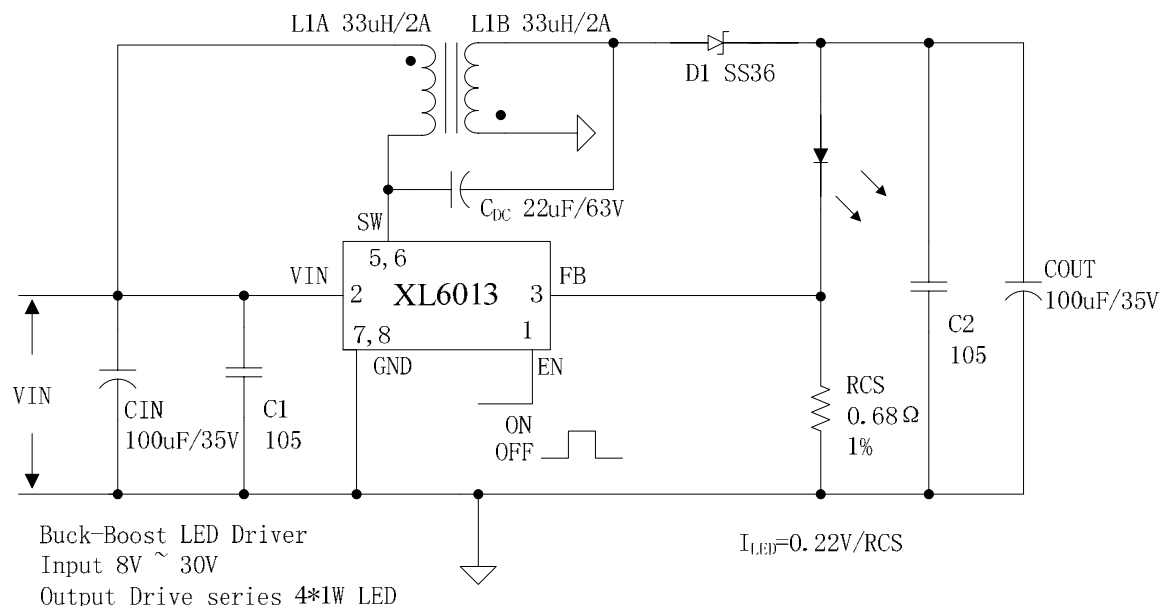


Figure13. XL6013 System Parameters Test Circuit (Buck-Boost LED Driver)

Typical System Application (PWM DIMMING)

PWM dimming function can be used in typical system application with external components. Changing the duty cycle of PWM signal can get different LED current. The PWM signal high voltage above 3.3V(referenced to ground, lower than VIN), Low voltage below 0.2V(referenced to ground).

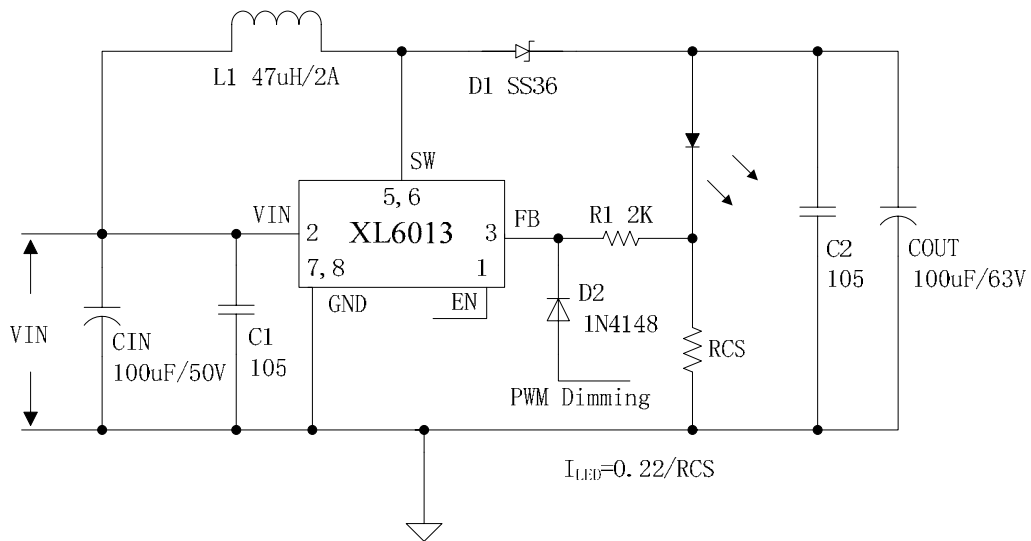


Figure14. XL6013 System Parameters Test Circuit (PWM DIMMING)

Typical System Application (LED OVP)

LED OVP function can be used in typical system application with external components. The output voltage can be limited in a suitable value by choose different zener diode when the output LED open. the zener diode voltage choosed by output led voltage's 1.3 times.

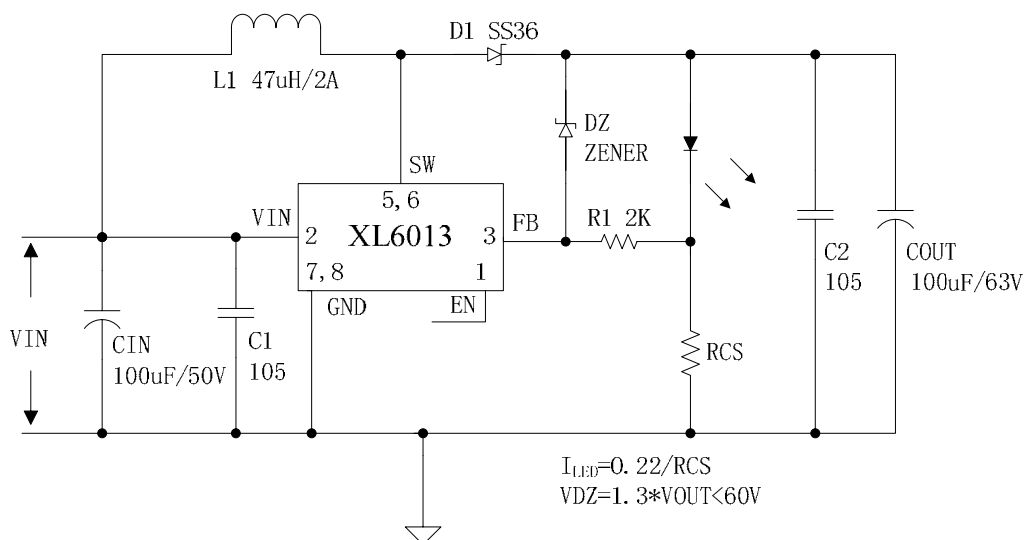
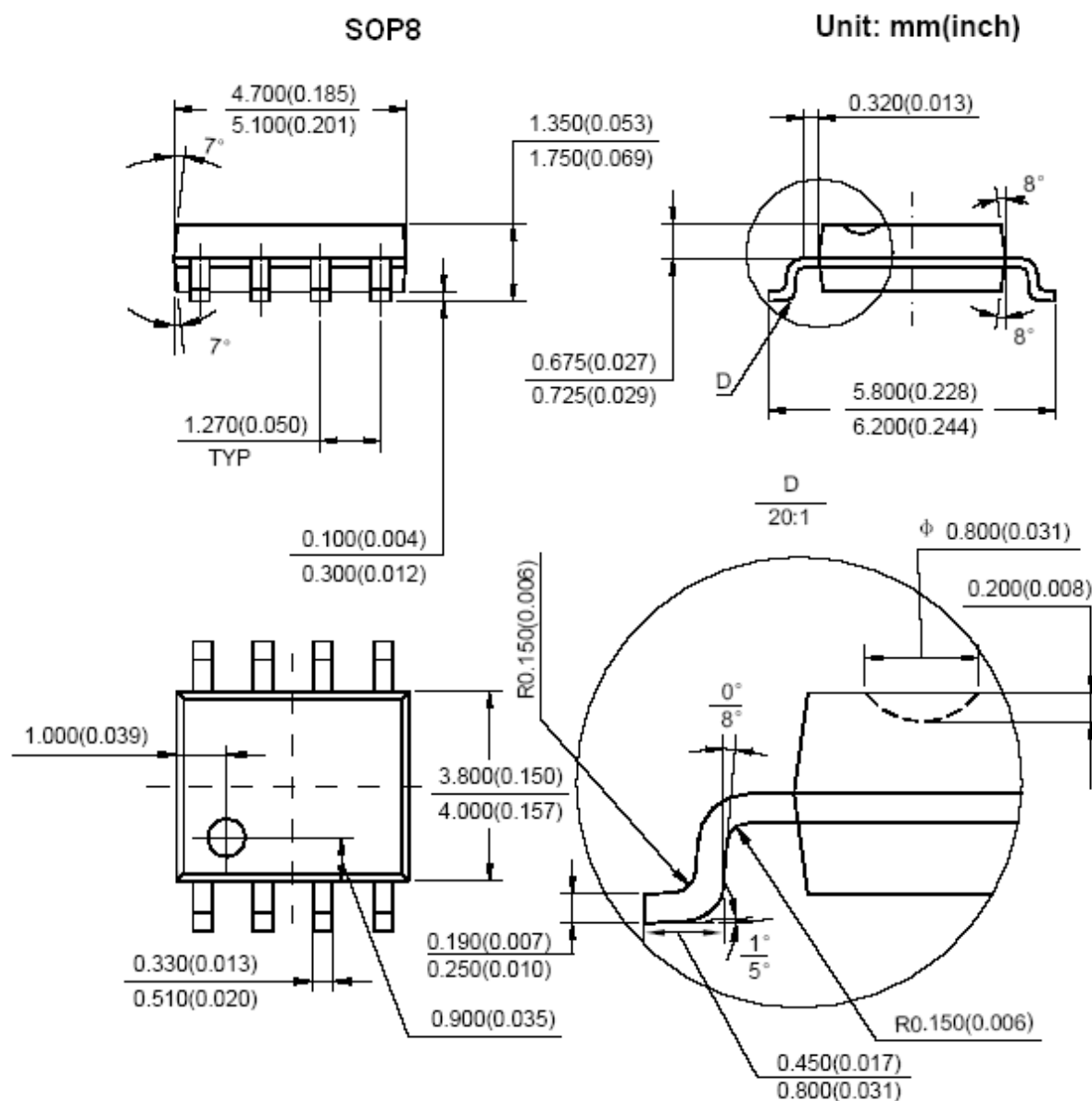


Figure15. XL6013 System Parameters Test Circuit (LED OVP)

Package Information

SOP8 Package Mechanical Dimensions



Important Notice

XLSEMI reserve the right to make modifications, enhancements, improvements, corrections or other changes without notice at any time. XLSEMI does not assume any liability arising out of the application or use of any product described herein; neither does it convey any license under its patent rights, nor the rights of others. XLSEMI assumes no liability for applications assistance or the design of Buyers' products. Buyers are responsible for their products and applications using XLSEMI components. To minimize the risks associated with Buyers' products and applications, Buyers should provide adequate design and operating safeguards. XLSEMI warrants performance of its products to the specifications applicable at the time of sale, in accordance with the warranty in XLSEMI's terms and conditions of sale of semiconductor products. Testing and other quality control techniques are used to the extent XLSEMI deems necessary to support this warranty. Except where mandated by applicable law, testing of all parameters of each component is not necessarily performed. For the latest product information, go to www.xlsemi.com.

X-ON Electronics

Largest Supplier of Electrical and Electronic Components

Click to view similar products for [LED Display Drivers](#) category:

Click to view products by [XLSEMI](#) manufacturer:

Other Similar products are found below :

[STP16CPP05XTTR](#) [SCT2027CSSG](#) [KP22306WGA](#) [KP1199AWPA](#) [KP1199BWPA](#) [WS9088AS7P](#) [GN1628T](#) [BCT3236EGH-TR](#)
[HT1628BRWZ](#) [KP1192SPA](#) [KP1182SPA](#) [KP1262FSPA](#) [KP1072LSPA](#) [KP1191SPA](#) [KP18001WPA](#) [KP1070LSPA](#) [KP1221SPA](#)
[KP107ALSPA](#) [GN1640T](#) [MBI5253GP-A](#) [MBI5124GM-B](#) [WS90561T S7P](#) [WS9821B S7P](#) [WS9032GS7P](#) [LYT3315D](#) [M08888G-11](#)
[M08890G-13](#) [BCR420U](#) [SCT2001ASIG](#) [SCT2024CSOG](#) [SCT2024CSSG](#) [SCT2024CSTG](#) [SCT2167CSSG](#) [AL8400QSE-7](#) [PR4401](#) [PR4403](#)
[PCA9685PW](#) [STP16CPC05XTTR](#) [WS2821B](#) [PR4402](#) [M08898G-13](#) [RT8471GJ5](#) [RT9284A-20GJ6E](#) [TLC59482DBQR](#) [ISL97634IRT14Z-](#)
[TK](#) [AW36413CSR](#) [LP5562TMX](#) [DLD101Q-7](#) [WS2818B](#) [BCR401U](#)