

AFM Series



- Energy Efficiency Level V
- CEC2008 & EISA2007 Compliant
- IT & Medical Approvals
- China Compulsory Certification (CCC) Qualified
- Optional Class II Versions
- Optional White Case Versions
- 3 Year Warranty

Specification

Input

Input Voltage	• 80-264 VAC, derate output power 25% <90 VAC
Input Frequency	• 47-63 Hz
Input Current	• AFM30: 0.8 A rms at 115VAC, AFM45: 1.2 A rms at 115VAC, AFM60: 1.5 A rms at 115 VAC
Inrush Current	• AFM30: 50 A max at 240VAC, AFM45: 120 A max at 240VAC, AFM60: 120 A max at 240VAC
Power Factor	• EN61000-3-2, class A
Earth Leakage Current	• 150 μ A max at 264 VAC/60 Hz
No Load Input Power	• AFM30/45: <0.3 W, AFM60: <0.5 W

Output

Output Voltage	• See table
Output Voltage Trim	• Not user-adjustable
Initial Set Accuracy	• \pm 2%
Minimum Load	• No minimum load required
Start Up Delay	• 3 s max at 115 VAC
Hold Up Time	• 8 ms minimum at 115 VAC
Line Regulation	• \pm 1.0% maximum
Load Regulation	• 2.5% maximum
Transient Response	• 4% max. deviation, recovery to within 1% in 500 μ s for a 25% load change
Ripple & Noise	• 1% max pk-pk ⁽¹⁾
Overvoltage Protection	• 110-170% Vnom, recycle input to reset
Overload Protection	• AFM45/60: 110-170%, AFM30: 110-220%, auto recovery
Short Circuit Protection	• Trip and restart (hiccup mode)
Temperature Coefficient	• 0.04%/°C

General

Efficiency	• See table
Energy Efficiency	• Level V
Isolation	• 4000 VAC Input to Output, 2 x MOPP 1500 VAC Input to Ground, 1 x MOPP* Output 0 V is electrically connected to Input Ground*. *Not C8 version.
Switching Frequency	• 30/45 W: 58 kHz typ., 60 W: 52 kHz typ.
Power Density	• AFM30: 2.8 W/In ³ , AFM45: 4.2 W/In ³ , AFM60: 3.76 W/In ³
MTBF	• >250 kHrs to MIL-HDBK-217F at 25 °C, GB, full load

Environmental

Operating Temperature	• 0 °C to +60 °C, derate from 100% power at +40 °C to 60% power at +60 °C
Operating Humidity	• 10-95% RH, non-condensing
Storage Temperature	• -40 °C to +80 °C
Operating Altitude	• 2000 m
Shock	• 30 g, 10 ms on 3 axes
Vibration	• 5-100 Hz, 2.31 m/s ² , 20 mins, 3 axes

EMC & Safety

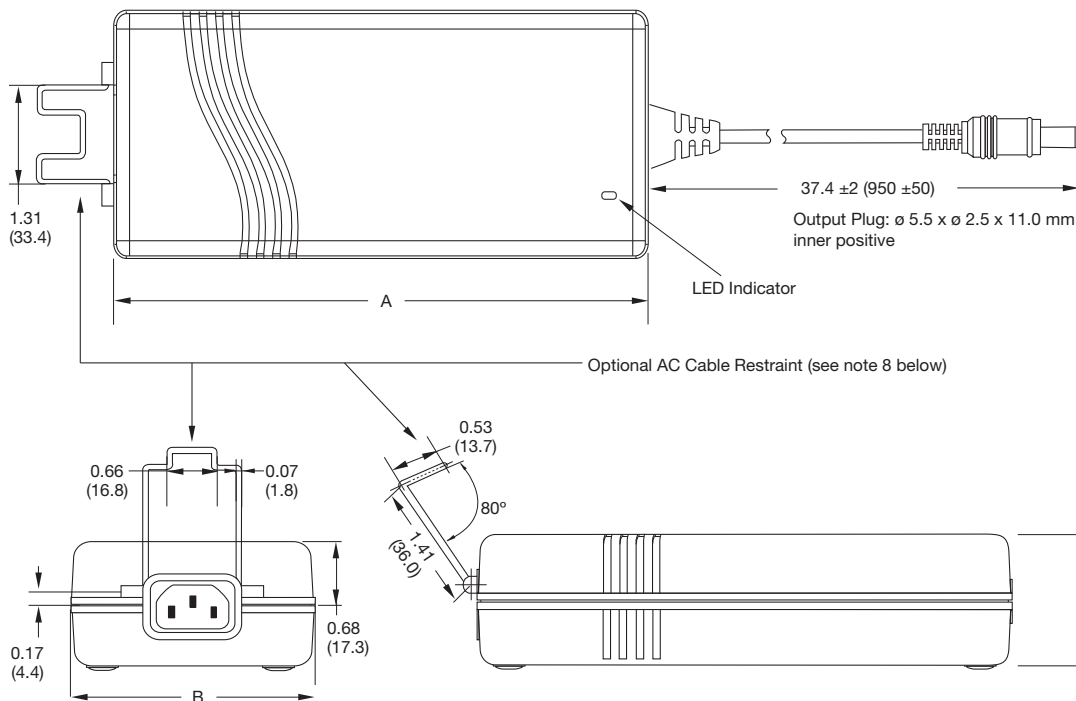
Emissions	• EN55011/32/FCC Class B conducted, EN55011/32/FCC Class B radiated
Harmonic Currents	• EN61000-3-2, Class A
Voltage Flicker	• EN61000-3-3
ESD Immunity	• EN61000-4-2, 6 kV contact and 8 kV air discharge
Radiated Immunity	• EN61000-4-3, 3 V/m Perf Criteria A
EFT/Burst	• EN61000-4-4, level 3 Perf Criteria A ⁽⁶⁾
Surge	• EN61000-4-5, installation class 3 Perf Criteria A
Conducted Immunity	• EN61000-4-6, 3 Vrms Perf Criteria A
Magnetic Field	• EN61000-4-8, 3 A/m, Perf Criteria A
Dips & Interruptions	• EN61000-4-11, 30% for 10 ms, 60% 100 ms, 100% 5000 ms, Perf Criteria A, B, B EN60601-1-2, 30% 500 ms, 60% 100 ms, 100% 10 ms, 100% 5000 ms, Perf A, A, A, B ⁽⁶⁾
Safety Approvals	• IEC62368-1-1:2014 / IEC60950-1:2005 Ed 2. UL60950-1, EN62368-1:2014/A11:2017 EN60601-1 (3rd Ed.), UL60601-1 (2nd Ed.), IEC60601-1 (3rd Ed.) China Compulsory Certification (CCC) Qualified.

Output Power	Output Voltage ⁽⁶⁾	Output Current	Efficiency ⁽⁷⁾	Model Number ^(3,4,9)
30 W	12 V	2.50 A	87.9%	AFM30US12
30 W	15 V	2.00 A	88.4%	AFM30US15
30 W	18 V	1.67 A	87.6%	AFM30US18
30 W	24 V	1.25 A	88.0%	AFM30US24
48 W	12 V	4.00 A	87.7%	AFM45US12
48 W	15 V	3.20 A	88.0%	AFM45US15
48 W	18 V	2.67 A	87.2%	AFM45US18
48 W	24 V	2.00 A	87.7%	AFM45US24
60 W	12 V	5.00 A	87.3%	AFM60US12
60 W	15 V	4.00 A	88.2%	AFM60US15
60 W	18 V	3.34 A	88.3%	AFM60US18
60 W	24 V	2.50 A	87.8%	AFM60US24

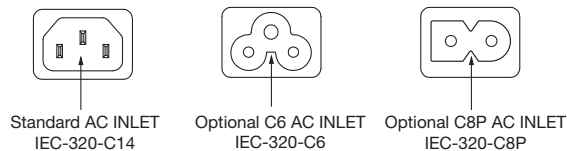
Notes

1. Ripple and noise measured at 20 MHz bandwidth with a 10 µF tantalum and 0.1 µF ceramic cap connected at the measurement point.
2. Total regulation includes initial set accuracy, line and load regulation.
3. For optional Class II versions with a polarised IEC320-C8 inlet, add suffix 'C2' to the model number, e.g. AFM60US24C2.
4. For alternative IEC320-C6 inlet, add suffix 'C6' to the model number eg. AFM60US24C6.
5. For white case version add suffix -W. MOQ applies, contact sales for details.
6. Other output voltages are available, contact sales for details.
7. Minimum average of efficiencies measured at 25%, 50%, 75% & 100% load.
8. A minimum load of 1% is required to meet performance criteria A.
9. Performance criteria given for high line input.

Mechanical Details



	AFM30 & 45	AFM60
A	4.76 (121.0)	4.92 (125.0)
B	1.97 (50.0)	2.44 (62.0)
C	1.21 (30.8)	1.33 (34.0)



Notes

1. All dimensions shown in inches (mm). Tolerance is 0.02 (0.5) maximum, except output cable length.
2. Weight: AFM30/45: 0.56 lbs (256 g), AFM60: 0.78 lbs (360 g) approx.
3. Case material is PC Class 94 V-0.
4. Output Lead: UL1185, 16 AWG
5. For European mains lead order part EU-MAINS-IEC for C14 versions, EU-MAINS-5 for C6 versions or EU-MAINS-8 for C8 versions.
6. For UK mains lead order part UK-MAINS-IEC for C14 versions, UK-MAINS-5 for C6 versions or UK-MAINS-8 for C8 versions.
7. For US mains lead order part US-MAINS-IEC for C14 versions, US-MAINS-5 for C6 versions or US-MAINS-8 for C8 versions.
8. For optional AC Cable Restraint on the standard input version add suffix 'A' to the model number e.g. AFM60US24A. AC Mains Lead must be Interpower Corporation, part number 70006020300. Option AC Cable Restraint is not available on IEC320-C6 inlet or Class II versions.
9. The standard C7 cable fits the C8P connector.

X-ON Electronics

Largest Supplier of Electrical and Electronic Components

Click to view similar products for [XP Power](#) manufacturer:

Other Similar products are found below :

[FCM400PS12](#) [HDS1500PS12](#) [ECE40US24-SD](#) [ECE40US48](#) [EMH250PS12](#) [EML30US03-S](#) [IA0524D](#) [IR0512SA](#) [ISW0505A](#) [ITQ4824SA](#)
[ITV2405SA](#) [JCA0248S05](#) [JCD0412D05](#) [JCK3012S05](#) [LCL300PS12](#) [IE1205SH](#) [IL4805S](#) [ISH1515A](#) [JCA0305S15](#) [JCE0624D05](#)
[JCG1212S05](#) [JCK1524D12](#) [JTE0624D24](#) [VER05US060-JA](#) [JTL6048S12](#) [JTK3024S15](#) [JTC0648D03](#) [ACS40-60](#) [LOOM](#) [JCG1512D12](#)
[RCQ50110S15](#) [JCD0612S05](#) [IF0503S](#) [IEU0224D12](#) [IEQ0524S3V3](#) [IEU0312D05](#) [IEQ0548S24](#) [VER18US150-JA](#) [VER18US120-JA](#)
[AH20N-12](#) [TR05S15](#) [A20N-5](#) [A12N-5](#) [DTE2048S48](#) [DNR240TS24-I](#) [JCD0612D12](#) [IT4812SA](#) [IT4812S](#) [EML30US09-P](#) [EML15US12-S](#)
[CA02P-5](#)