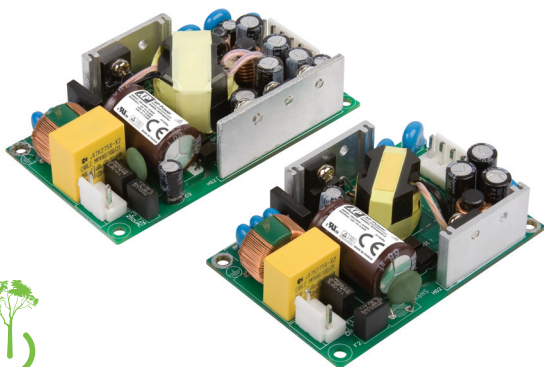


40 Watts

ECP Series



GREEN XP POWER

- Low Profile Design
- Ultra Compact Size from 3" x 2" x 0.9"
- IT & Medical Approvals
- Single, Dual and Triple Output
- <0.3 W No Load Input Power
- Peak Load Capability
- 3 Year Warranty

Specification

Input

Input Voltage	• 85-264 VAC
Input Frequency	• 47-63 Hz
Input Current	• 0.85 A max at 115 VAC
Inrush Current	• 65 A max at 230 VAC
Power Factor	• EN61000-3-2, Class A
No Load Input Power	• <0.3 W
Earth Leakage Current	• <250 μ A at 264 VAC, 60 Hz
Input Protection	• Internal T2 A/250V fuse in line and neutral

Output

Output Voltage	• See table
Initial Set Accuracy	• Single output: $\pm 1\%$ at 60% load, Multiple output: $\pm 1\%$ on V1, $\pm 5\%$ on V2 & V3 at 60% load
Minimum Load	• 10% minimum load required on V1 & V2 of multi output versions
Start Up Delay	• 1.3 s max
Start Up Rise Time	• 15 ms typical
Hold Up Time	• 10 ms min at full load at 115 VAC
Line Regulation	• $\pm 0.5\%$ max
Load Regulation	• V1 & V3: $\pm 2\%$, V2: $\pm 4\%$ (see note 3)
Cross Regulation	• V2: 5%, 10-100% load change on V1 (see note 4)
Transient Response	• 4% max deviation, recovering to less than 1% within 500 μ s for 50% step load change at 1 A/ μ s
Ripple & Noise	• 1% pk-pk, measured with 20 MHz bandwidth
Overvoltage Protection	• 110-140% of nominal output voltage on V1 only, recycle input to reset
Overload Protection	• Single output: 140-160% of nominal power Multiple output: 120-150% of nominal power on V1 and V2 only
Short Circuit Protection	• Trip and restart (hiccup mode)
Temperature Coefficient	• $\pm 0.02\%/^{\circ}\text{C}$ max

General

Efficiency	• See tables
Isolation	• 4000 VAC Input to Output 1500 VAC Input to Ground 500 VAC Output to Ground
Switching Frequency	• 40-130 kHz variable
MTBF	• >400 kHrs to MIL-HDBK-217F at 25 $^{\circ}\text{C}$, GB

Environmental

Operating Temperature	• -10 $^{\circ}\text{C}$ to +70 $^{\circ}\text{C}$, derate from 100% load at 50 $^{\circ}\text{C}$ to 50% load at 70 $^{\circ}\text{C}$
Cooling	• Natural convection
Operating Humidity	• 5% to 95% RH, non condensing
Storage Temperature	• -40 $^{\circ}\text{C}$ to +85 $^{\circ}\text{C}$
Shock	• 30 g pk, half sine, 6 axes
Vibration	• 2 g rms, 5 Hz to 500 Hz, 3 axes

EMC & Safety

Emissions	• EN55022, level B conducted & radiated
Harmonic Currents	• EN61000-3-2, class A
Voltage Flicker	• EN61000-3-3
ESD Immunity	• EN61000-4-2, ± 4 kV indirect contact, Perf Criteria A
Radiated Immunity	• EN61000-4-3, level 2, Perf Criteria A
EFT / Burst	• EN61000-4-4, level 3 Perf Criteria A
Surge	• EN61000-4-5, installation class 3, Perf Criteria A
Conducted Immunity	• EN61000-4-6, level 3, Perf Criteria A
Dips & Interruptions	• EN61000-4-11, 30% 10 ms, 60% 100 ms, 100% 5000 ms, Perf Criteria A, B, B
Safety Approvals	• UL62368-1, IEC62368-1, EN62368-1, ANSI/AAMI ES 60601-1, IEC60601-1, EN60601-1, CE & UKCA meets all applicable directives & legislation.

Models and Ratings

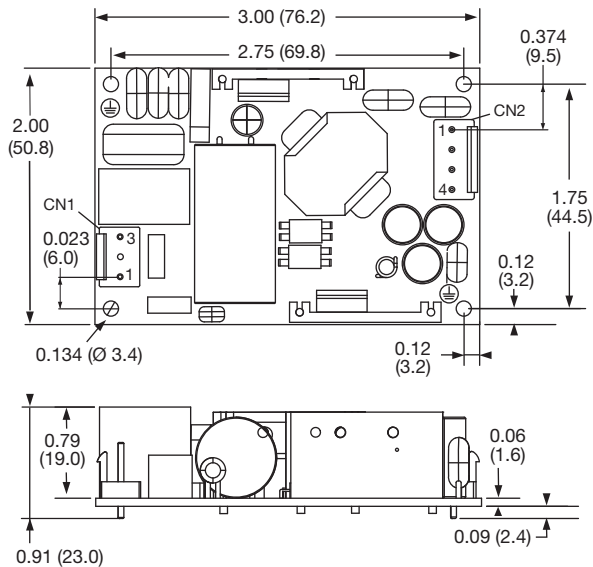
Output Power	Output 1			Output 2			Output 3		Efficiency ⁽²⁾	Model Number
	Voltage	Current	Peak ⁽¹⁾	Voltage	Current	Peak ⁽¹⁾	Voltage	Current		
30 W	5.0 VDC	6.00 A	7.80 A						82%	ECP40US05
40 W	12.0 VDC	3.34 A	4.34 A						89%	ECP40US12
40 W	15.0 VDC	2.67 A	3.47 A						89%	ECP40US15
40 W	18.0 VDC	2.22 A	2.89 A						90%	ECP40US18
40 W	24.0 VDC	1.67 A	2.17 A						90%	ECP40US24
40 W	30.0 VDC	1.34 A	1.74 A						91%	ECP40US30
40 W	48.0 VDC	0.84 A	1.09 A						92%	ECP40US48
40 W	+5.0 VDC	5.00 A	7.80 A	+12.0 VDC	2.0 A	2.60 A			89%	ECP40UD01
40 W	+5.0 VDC	5.00 A	7.80 A	+15.0 VDC	1.5 A	1.95 A			90%	ECP40UD02
40 W	+5.0 VDC	5.00 A	7.80 A	+24.0 VDC	1.0 A	1.30 A			90%	ECP40UD03
40 W	+5.0 VDC	5.00 A	7.80 A	+12.0 VDC	2.0 A	2.60 A	-12.0 VDC	0.5 A	89%	ECP40UT01
40 W	+5.0 VDC	5.00 A	7.80 A	+15.0 VDC	1.5 A	1.95 A	-15.0 VDC	0.5 A	90%	ECP40UT02
40 W	+5.0 VDC	5.00 A	7.80 A	+24.0 VDC	1.0 A	1.30 A	+12.0 VDC	0.5 A	90%	ECP40UT03
40 W	+5.0 VDC	5.00 A	7.80 A	+24.0 VDC	1.0 A	1.30 A	-12.0 VDC	0.5 A	90%	ECP40UT04

Notes

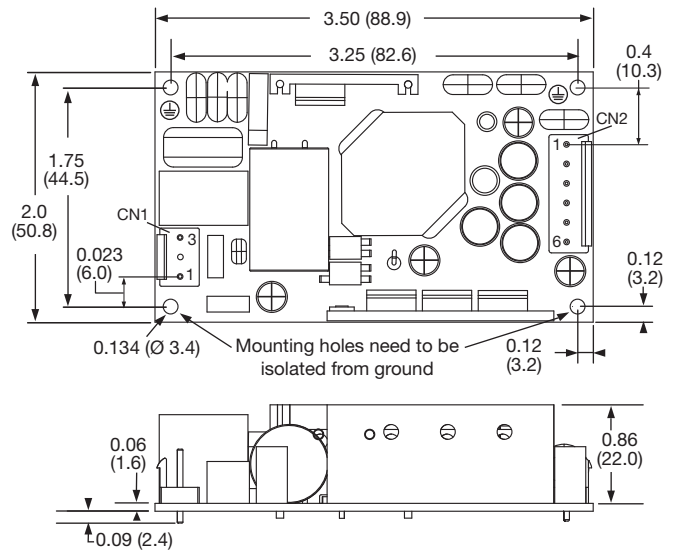
1. Peak load lasting <30 s with a maximum duty cycle of 10%, average output power not to exceed nominal.
2. Typical efficiency at 230 VAC and full load at 25 °C.
3. For multiple output units, load regulation is given for load change of 10% to 100% with other outputs set to 60% adjustment load.
4. When V2 load is 15-100%

Mechanical Details

ECP40USXX



ECP40UDXX / ECP40UTXX



Input Connector CN1	
Pin 1	Neutral
Pin 2	Not Fitted
Pin 3	Line

Output Connector CN2	
Pin 1	+ Vout
Pin 2	+ Vout
Pin 3	- Vout
Pin 4	- Vout

CN1 mates with JST housing VHR-3N and JST Series SVH-21T-P1.1 crimp terminals.

CN2 mates with JST housing VHR-4N and JST Series SVH-21T-P1.1 crimp terminals.

Mounting holes marked with ⊕ must be connected to safety earth

Input Connector CN1	
Pin 1	Neutral
Pin 2	Not Fitted
Pin 3	Line

Output Connector CN2	
Pin 1	V2
Pin 2	V1
Pin 3	V1
Pin 4	RTN
Pin 5	RTN
Pin 6	V3

CN1 mates with JST housing VHR-3N and JST Series SVH-21T-P1.1 crimp terminals.

CN2 mates with JST housing VHR-6N and JST Series SVH-21T-P1.1 crimp terminals.

Mounting holes marked with ⊕ must be connected to safety earth

Notes

1. All dimensions are in inches (mm).
2. Weight: ECP40USXX: 0.18 lbs (80 g) approx, ECP40UD/UTXX: 0.24 lbs (110 g)

X-ON Electronics

Largest Supplier of Electrical and Electronic Components

Click to view similar products for [Switching Power Supplies](#) category:

Click to view products by [XP Power](#) manufacturer:

Other Similar products are found below :

[70841011](#) [73-551-0005](#) [73-551-0048](#) [PS3E-B12F](#) [PS3E-E12F](#) [AAD600S-4-OP](#) [R22095](#) [KD0204](#) [9021](#) [LDIN100150](#) [LPM000-BBAR-01](#)
[LPX17S-C](#) [EVS57-10R6/R](#) [FP80](#) [FRV7000G](#) [22929](#) [PS3E-F12F](#) [CQM1IA121](#) [40370121900](#) [VI-PU22-EXX](#) [40370121910](#) [LDIN5075](#)
[LPM615-CHAS](#) [LPX140-C](#) [09-160CFG](#) [70841025](#) [VPX3000-CBL-DC](#) [VI-LUL-IU](#) [LPM000-BBAR-05](#) [LPM000-BBAR-08](#) [LPM124-](#)
[OUTA1-48](#) [LPM000-BBAR-07](#) [LPM109-OUTA1-10](#) [LPM616-CHAS](#) [08-30466-1055G](#) [08-30466-2175G](#) [08-30466-2125G](#) [DMB-EWG](#)
[TVQF-1219-18S](#) [6504-226-2101](#) [CQM1IPS01](#) [SP-300-5](#) [CQM1-IPS02](#) [VI-MUL-ES](#) [22829](#) [08-30466-0065G](#) [VI-RU031-EWWX](#) [08-30466-](#)
[0028G](#) [EP3000AC48INZ](#) [VP-C2104853](#)