

IEC Power Inlet with Line Filter

- IEC320-C14 Filtered Inlet
- Dual Fuse
- Screw Mount
- Compact Design
- Medical Application
- 1, 3, 6 & 10A Rating
- 6.3 x 0.8mm Faston Terminals
- Bleed Resistor
- Shielded Metal Body
- Wide Operating Temperature Range
- 3 Year Warranty

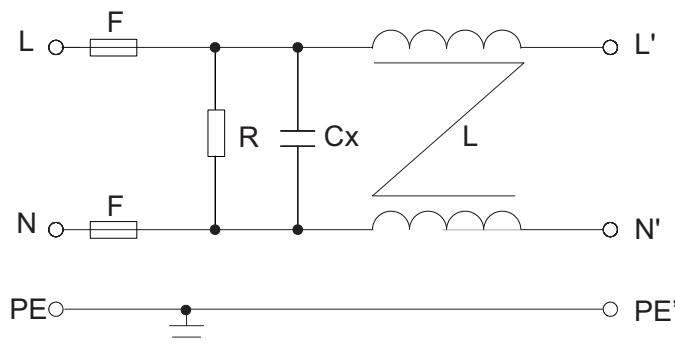


The FDMM has an IEC320-C14 inlet with a front accessible (when the mains connector is disconnected) dual fuse holder, combined with a low earth leakage medical IEC inlet filter in a compact single housing. It is suitable for mains powered medical equipment where dual fusing and low earth leakage current is required. Providing excellent attenuation to conducted electro-magnetic interference from the mains supply, whilst reducing any conducted emissions from within the equipment onto the mains supply. Suitable for class I appliances, all models feature a shielded metal body, and are fitted with a bleed resistor to safely discharge the filter capacitors when power is disconnected. Safety approvals are EN60939-2 for passive filters & ANSI/UL1283 for EMI filters. They feature a wide operating temperature range of -40°C to +110°C with full power operation up to +50°C.

Specifications

| Characteristics | Minimum | Typical | Maximum | Units | Notes and Conditions |
|-----------------------|---|---------|---------|-------|--|
| Rated Voltage | | | 250 | VAC | |
| Input Frequency | DC | | 400 | Hz | |
| Rated Current | 1 | | 10 | A | See models and ratings table |
| Earth Leakage Current | 2 | | 5 | µA | See models and ratings table |
| MTBF | 1.35 | | | MHrs | MIL-HBDK 217F, 250 VAC at 40°C |
| Flammability Rating | UL94V-2 | | | | |
| Temperature Operating | -40 | | 110 | °C | See derating curve |
| Safety Approvals | EN60939-2 | | | | Passive filter units for EMI suppression |
| | ANSI/UL1283 | | | | Electromagnetic Interference Filters |
| Terminals | Faston 6.3 x 0.8mm straight | | | | |
| Protection Class | Suitable for appliances with protection Class I | | | | |
| Dielectric Strength | | 1500 | | VAC | |

Electrical Schematic

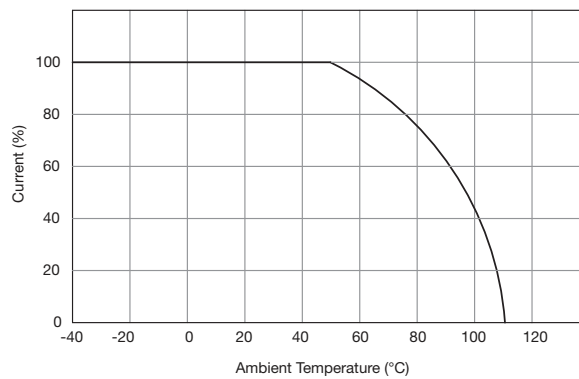


Note: Fuses not supplied

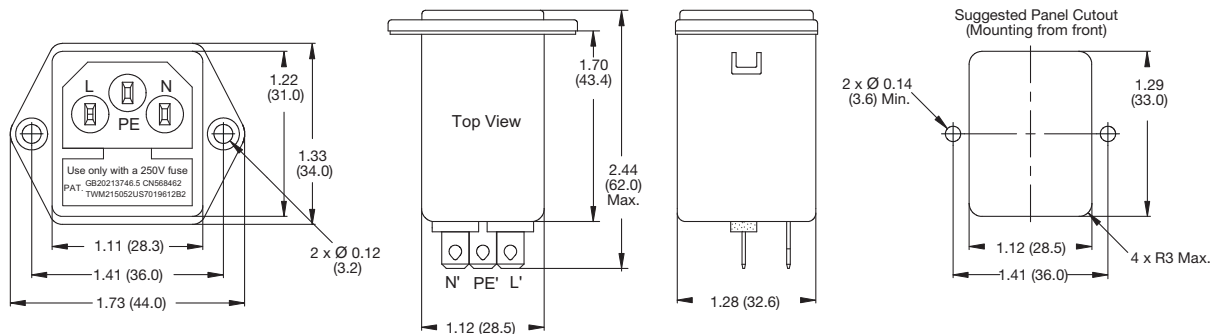
Models & Ratings

| Rated current | Leakage current | | Inductance @10kHz, 0.25V | Capacitance | | Resistance | Weight | Application | Mounting | Filter |
|---------------|-----------------|-------------|-----------------------------|-------------|------|-------------|--------|-------------|----------|-----------|
| | 115VAC/60Hz | 250VAC/50Hz | | Cx | Cy | | | | | |
| 1A | 2 μ A | 5 μ A | 2 x 6.5mH | 0.1 μ F | None | 1M Ω | 55g | Medical | Screw | FDMM01SFR |
| 3A | 2 μ A | 5 μ A | 2 x 2.5mH | 0.1 μ F | None | 1M Ω | 55g | Medical | Screw | FDMM03SFR |
| 6A | 2 μ A | 5 μ A | 2 x 0.8mH | 0.1 μ F | None | 1M Ω | 53g | Medical | Screw | FDMM06SFR |
| 10A | 2 μ A | 5 μ A | 2 x 0.2mH | 0.1 μ F | None | 1M Ω | 56g | Medical | Screw | FDMM10SFR |

Thermal Derating



Mechanical Details

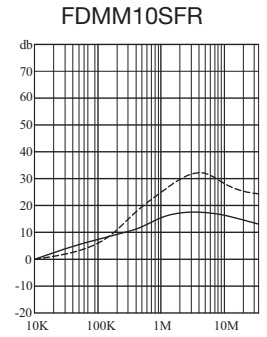
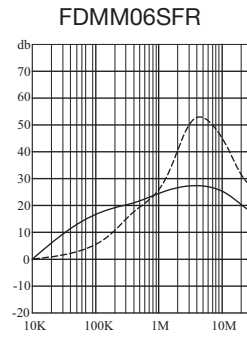
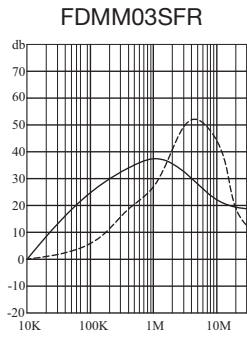
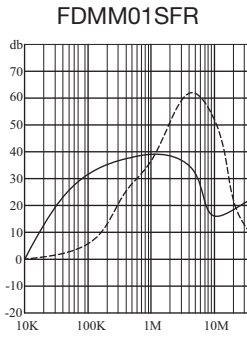


Output Terminals: 6.3 mm x 0.8 mm Fast-ons

Fuse is not supplied. Correct fuse dimensions are 5mm x 20mm

Typical Attenuation Curves

———— Common Mode/Asymmetrical(L-G) - - - - - Differential Mode/Symmetrical(L-L)



Safety Approvals

| Safety Agency | Safety Standard | Notes & Conditions |
|---------------|----------------------------------|--------------------|
| CE | Meets all applicable directives | |
| UKCA | Meets all applicable legislation | |

X-ON Electronics

Largest Supplier of Electrical and Electronic Components

Click to view similar products for [AC Power Entry Modules](#) category:

Click to view products by [XP Power](#) manufacturer:

Other Similar products are found below :

[0098.0050](#) [6167.0002](#) [6609100-2](#) [7-6609955-2](#) [FKI2-50-6/M5](#) [FN361-6-06](#) [FN389-4-22](#) [FN9226B-6-02](#) [FN9233S1-10-06](#) [FN9233S1-8-06](#)
[FN9233S1B-8-06](#) [FN9233S1R-1-06](#) [FN9233S1R-12-06](#) [FN9233SB-1-06](#) [FN9233SB-12-06](#) [FN9233SB-8-06](#) [FN9233SR-10-06](#) [FN9244B-15-06HI](#) [FN9244EB-3-06](#) [FN9244EB-8-06](#) [FN9244ER-15-06](#) [FN9244ER-8-06](#) [FN9244ES1-8-06](#) [FN9244ESB-8-06](#) [FN9244R-12-06](#)
[FN9244S1-12-06](#) [FN9244S1R-3-06](#) [FN9244SB-8-06](#) [FN9244SR-6-06](#) [FN9244U-3-06](#) [FN9244U-8-06](#) [8-6609940-2](#) [PE00SSSXB](#) [Fuse-H-EUR-1](#) [Fuse-H-USA-1](#) [PM00XD000](#) [A-0701-HT-H](#) [15EJMS8](#) [1-6609941-2](#) [200JM6-2](#) [CA121003-6](#) [SK-1015\(F1-5\)](#) [161-R3015-E](#) [1-6609153-2](#) [FN323-1-05](#) [FN9233B-8-06](#) [FN9233EB-1-06](#) [FN9233ES1R-10-06](#) [FN9233R-12-06](#) [FN9233S-10-06](#)