

3000 Watts

- High Efficiency up to 93%
- High Power Density
- Programmable Output Voltage (0-105%)
- Programmable Output Current (0-105%)
- Parallel Operation
- Fully Featured Signals & Controls
- 3 Year Warranty



The HDS3000 series offers users both output voltage and output current programming (0 – 105%) via resistance, voltage or I²C bus in a very high efficiency, high power density 3 kW chassis mount package. Measuring just 5" x 5" x 14.41", the HDS3000 also features active current sharing, remote on/off, remote sense and a power OK signal. The standby output is available whenever the mains supply is present and can be user selected as either 5 V at 0.5 A or 9V at 0.3 A.

Dimensions:

HDS3000:

14.41 x 5.00 x 5.00" (366 x 127 x 127 mm)

Models & Ratings

Output Power	Output Voltage V1	Output Current		Ripple & Noise	Efficiency ⁽¹⁾	Model Number
		Min	Max			
3000 W	12.0 VDC	0.0 A	250.0 A	150 mV	89%	HDS3000PS12
3000 W	15.0 VDC	0.0 A	200.0 A	150 mV	90%	HDS3000PS15
3000 W	24.0 VDC	0.0 A	125.0 A	200 mV	91%	HDS3000PS24
3000 W	30.0 VDC	0.0 A	100.0 A	200 mV	91%	HDS3000PS30
3000 W	36.0 VDC	0.0 A	83.5 A	200 mV	92%	HDS3000PS36
3000 W	48.0 VDC	0.0 A	62.5 A	200 mV	92%	HDS3000PS48
3000 W	60.0 VDC	0.0 A	50.0 A	300 mV	93%	HDS3000PS60

Notes

1. Measured with 230 VAC input and full load.

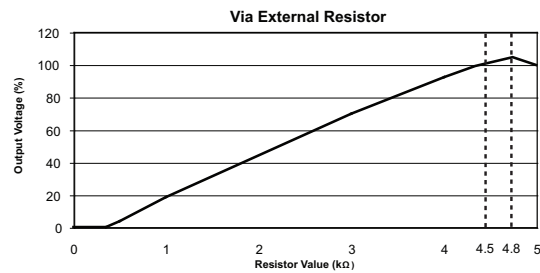
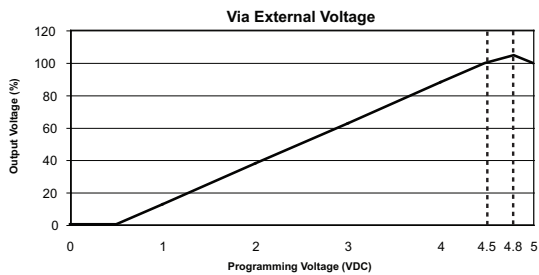
Input

Characteristic	Minimum	Typical	Maximum	Units	Notes & Conditions
Input Voltage	90		264	VAC	See derating curve
Input Frequency	47		63	Hz	
Power Factor		0.99/0.98			115/230 VAC full load
Input Current			36.0/18.0	A	115/230 VAC
Inrush Current			60.0/90.0	A	115/230 VAC
Earth Leakage Current			2.5	mA	264 VAC/60 Hz
Input Protection	2 x F20 A/250 V internal fuse				

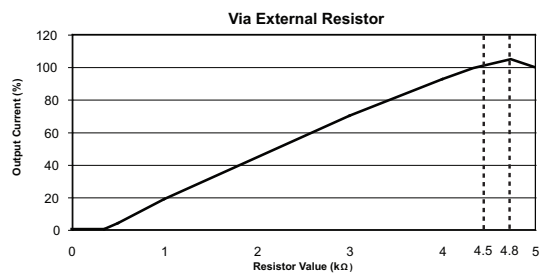
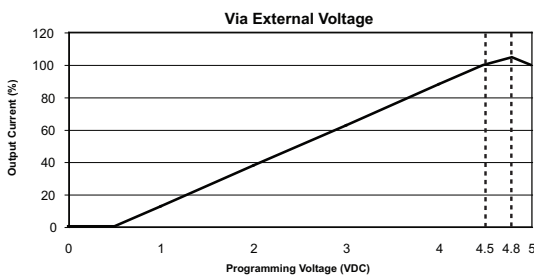
Output

Characteristic	Minimum	Typical	Maximum	Units	Notes & Conditions
Output Voltage	12		60	VDC	See Models and Ratings table
Output Trim		±5.0		%	By potentiometer
Output Voltage Program	0		105	%	Of rated output
Output Current Program	0		105	%	Of rated output
Initial Set Accuracy			±1	%	
Minimum Load	0			A	
Start Up Delay			2	s	
Start Up Rise Time			150	ms	At full load
Hold Up Time	8			ms	
Line Regulation			±1.0	%	
Load Regulation			±1 ⁽¹⁾ /±3	%	0-100% load. V1/5V Standby
Transient Response		<1		%	For a 25% step load change
Ripple & Noise	150		300	mV pk-pk	See models and ratings table. Measured with 20 MHz bandwidth and using 12" twisted pair wire terminated with 0.1 µF ceramic capacitor and 47 µF electrolytic.
Overvoltage Protection					Tracks output voltage, see application notes Recycle AC to reset
Overtemperature Protection					Primary and secondary heatsinks, monitored Output shuts down, auto recovers
Overload Protection		105		%	Rated power, constant current
Short Circuit Protection					Auto recovery
Temperature Coefficient		±0.02		%/°C	0-50 °C
Remote Sense	Compensates for 0.5 V max voltage drop, if remote sense is not required, local sense must be used				
Enable	Output must be enabled, see application notes, power supply is shipped with enable links fitted				
Current Share	5 supplies can share within 5%				
Standby Output	5 V at 0.5 A, present whenever AC is applied (9 V at 0.3 A, user selectable, by connecting 'VSET', Pin 8 of CN2 to GND)				

Output Voltage Programming



Output Current Programming



General

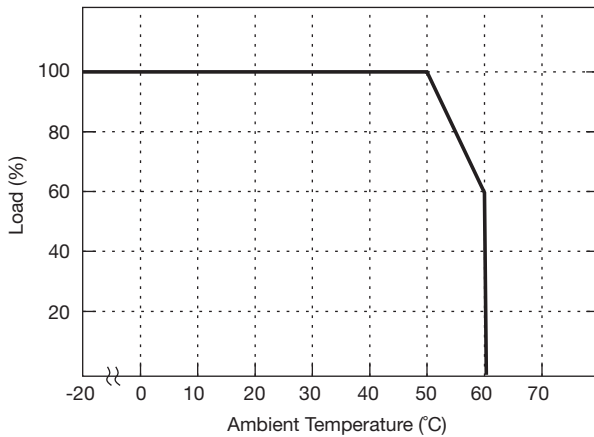
Characteristic	Minimum	Typical	Maximum	Units	Notes & Conditions
Efficiency	89		93	%	See Models and Ratings table
Isolation: Input to Output Input to Ground Output to Ground	3000			VAC	
	1500			VAC	
	500			VAC	
Switching Frequency		65		kHz	PFC
	40		200	kHz	PWM, variable
Power Density			8.1	W/in ³	
Signals and Controls					Enable, Current Share, V Program, I Program, 5 V Standby, Power OK
Mean Time Between Failure		90		kHrs	MIL-HDBK-217F, 25 °C GB
Weight		11.57 (5.25)		lb (kg)	

Environmental

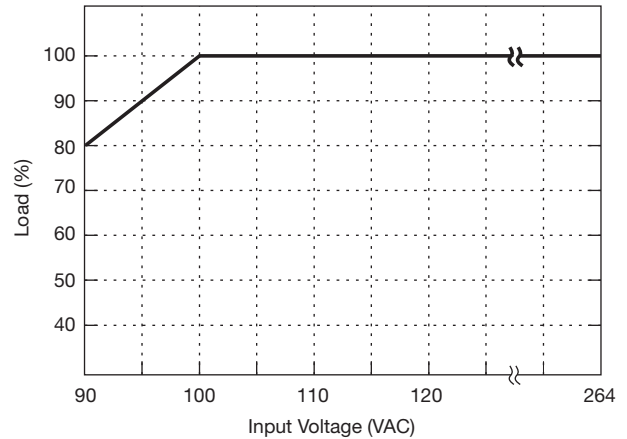
Characteristic	Minimum	Typical	Maximum	Units	Notes & Conditions
Operating Temperature	-25		60	°C	Derate linearly from 100% load at 50 °C to 60% load at 60 °C
Storage Temperature	-40		+85	°C	
Cooling					Internal fan fitted, speed increases with load and internal temperature
Humidity	20		90	%RH	
Vibration			2	g	10-500 Hz, 10 min/cycle, 60 min period for each axis, compliant to IEC68-2-6, IEC68-2-64

Derating Curve

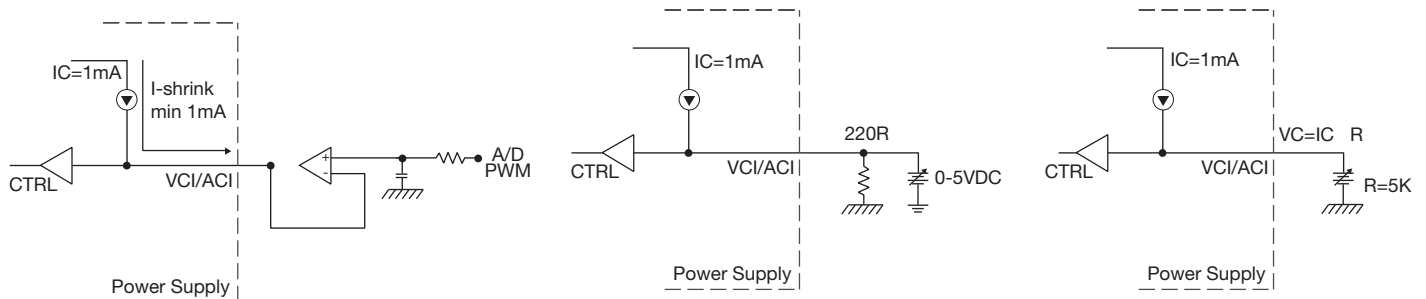
Thermal Derating Curve



Input Derating Curve



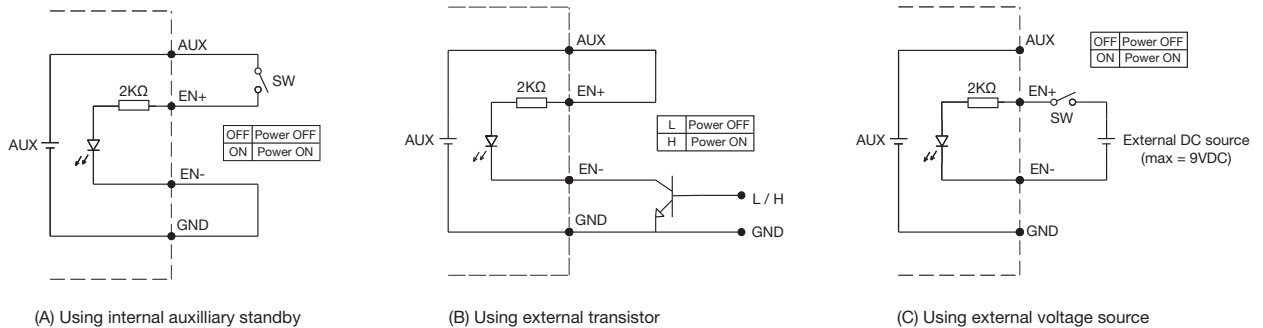
External Programming Voltage Connection



Signals & Controls

LED Status	Output Status
Solid (Green)	DC Output OK
Solid (Orange)	DC Output OK in remote control mode
Slow Blink (Green)	Output Not Enabled
Fast Blink (Red)	Over Voltage
Solid (Red)	Over Loaded
Slow Blink (Red)	Over Temperature
Intermittent Blink (Red)	Fan Fail
Short & Long Blink (Red)	AUX Standby Failure

Remote Enable



*GND shown in above diagram is referring to the GND of CN2, not the grounding from output power (NEG (-))

EMC: Emissions

Phenomenon	Standard	Test Level	Notes & Conditions
Conducted	EN55032	Class A	
Radiated	EN55032	Class A	
Harmonic Currents	EN61000-3-2	Class A	
Voltage Flicker	EN61000-3-3		

EMC: Immunity

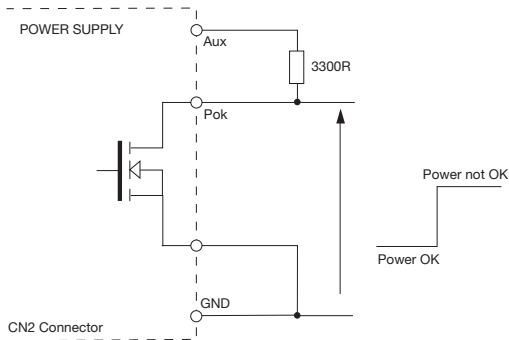
Phenomenon	Standard	Test Level	Criteria	Notes & Conditions
ESD Immunity	EN61000-4-2	2 / 3	A	±4 kV contact / ±8 kV air discharge
Radiated Immunity	EN61000-4-3	3	A	
EFT/Burst	EN61000-4-4	3	A	10 V/m
Surge	EN61000-4-5	Installation class 3	A	
Conducted	EN61000-4-6	3	A	10 V/m
Magnetic Field	EN61000-4-8	3	A	30 A/m
Dips and Interruptions	EN55024	DIP: 30% 500 ms	A/B	High Line/Low Line
		INT: >95% 10 ms	A	
		INT: >95% 5000 ms	B	

Safety Approvals

Safety Agency	Safety Standard	Notes & Conditions
CB	IEC60950-1:2005 Ed 2 / IEC62368-1:2014	Information Technology
UL	UL 62368-1 & CAN/CSA C22.2 No.62368-1-14	Information Technology
TUV	EN 62368-1:2014/A11:2017	Information Technology
CE	LVD	
CE	Meets all applicable directives	
UKCA	Meets all applicable legislation	

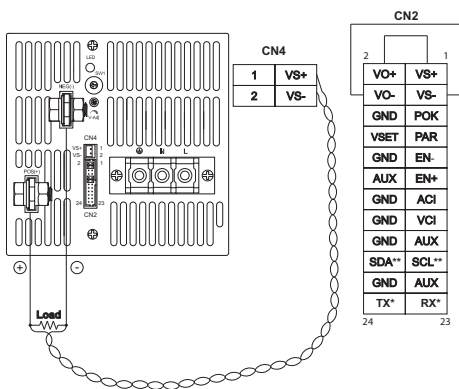
Application Notes

POK Signal

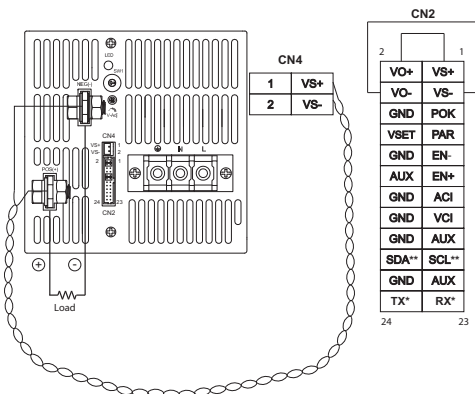


Open drain signal, low when PSU turns on
 Maximum sink current: 20 mA
 Maximum drain voltage: 40 V

Remote Sense

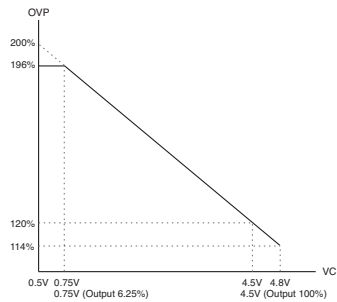


Local Sense

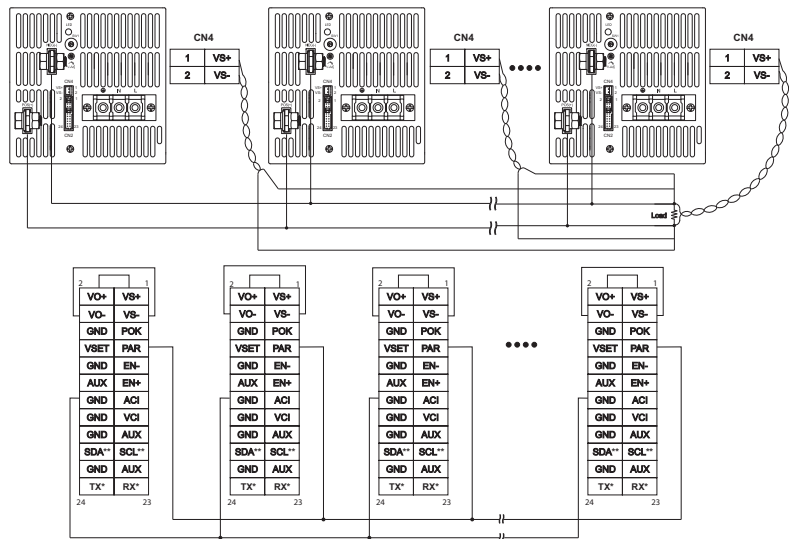


Must be used if remote sense is not required.

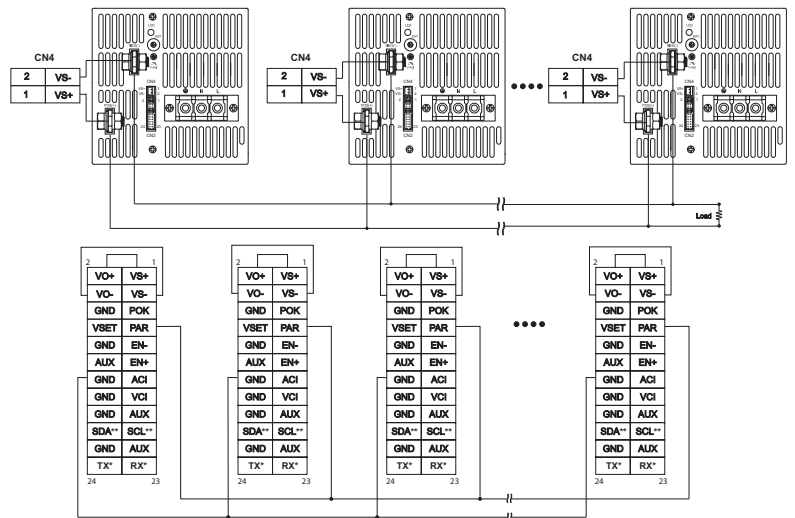
OVP Setting



Current Sharing with Remote Sense



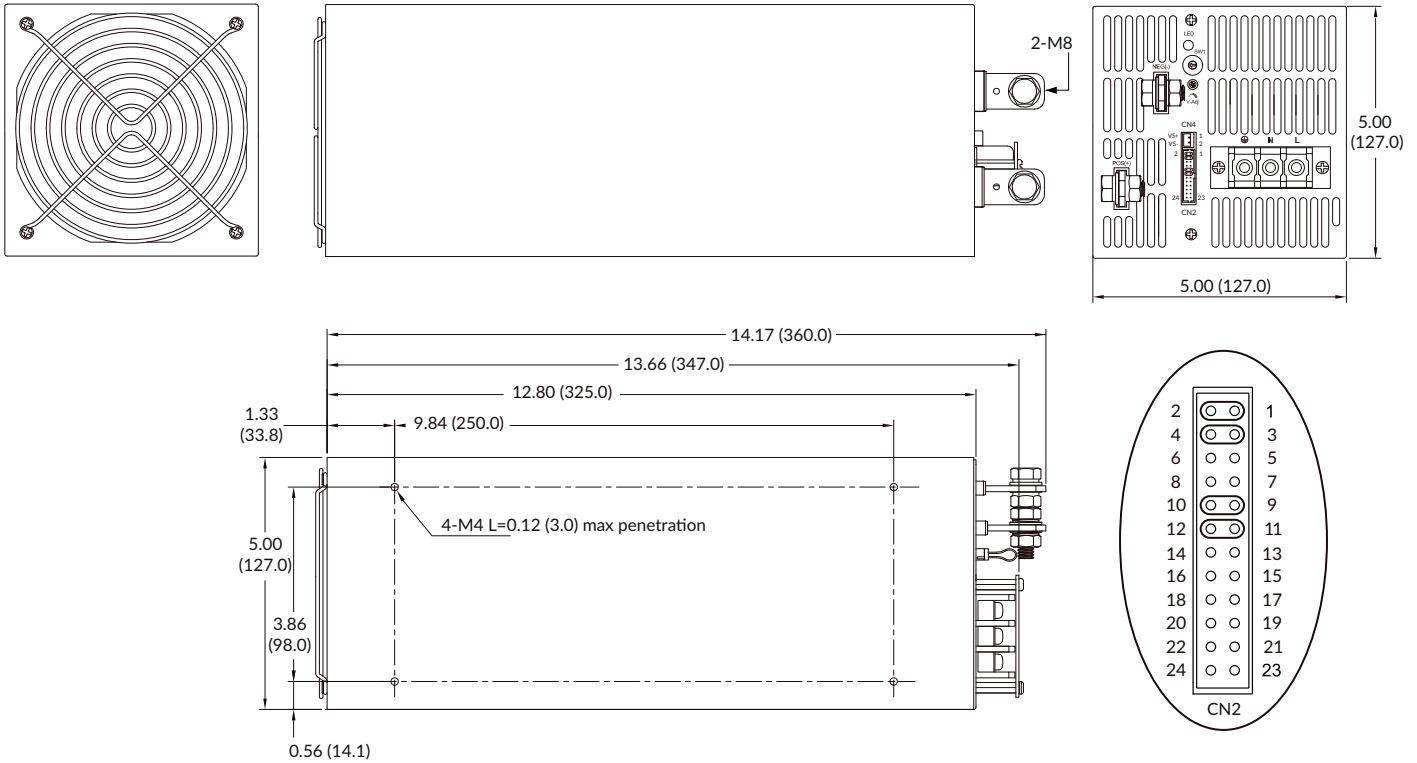
Current Sharing with Local Sense



Notes

In parallel operation, it is possible that only one unit will operate if the load is less than 5% of the combined rated output load. *Pin 23 and 24, Only usable with driver board "KIT-RS232-X" or "KIT-RS485-1". **If units are connected in parallel, and the I²C bus is used on each of them, then each I²C bus must be isolated to the others.

Mechanical Details



CN2 Control Pin Connections								
Pin	Function	Description	Pin	Function	Description	Pin	Function	Description
1	VS+	Remote sense (+)	9	EN-	Inhibit On/Off(-)	17	AUX	+5V/0.5 A or +9V/0.3 A Standby power
2	VO+	Positive Output Voltage	10	GND	Ground	18	GND	Ground
3	VS-	Remote Sense (-)	11	EN+	Inhibit On/Off (+)	19	SCL**	I ² C Serial Clock
4	VO-	Negative Output Voltage	12	AUX	+5V/0.5 A or +9V/0.3 A Standby power	20	SDA**	I ² C Serial Data
5	POK	Power OK	13	ACI	I Program	21	AUX	+5V/0.5 A or +9V/0.3 A power
6	GND	Ground	14	GND	Ground	22	GND	Ground
7	PAR	Parallel Operation Current Share	15	VCI	V Program	23	RX*	Receive
8	VSET	Aux Output Setting	16	GND	Ground	24	TX*	Transmit

Pin	Function
1	ACL
2	ACN
3	

CN4 Control Pin Connections	
Pin	Function
1	+VS
2	-VS

Notes

- Dimensions shown in inches (mm).
- Weight: 11.57 lb (5.25 kg)
- Mating Connector: CN2 JST PHDR-24VS Housing, SPHD-002T-P0.5 Contact
- Mating connector : CN4 JST XHP-2 Housing SXH-001T-P0.6 Contact

*Only usable with driver board "KIT-RS232-X" or "KIT-RS485-1".

**If units are connected in parallel, and the I²C bus is used on each of them, then each I²C bus must be isolated to the others.

X-ON Electronics

Largest Supplier of Electrical and Electronic Components

Click to view similar products for [Switching Power Supplies](#) category:

Click to view products by [XP Power](#) manufacturer:

Other Similar products are found below :

[70841011](#) [73-551-0005](#) [73-551-0048](#) [EVS57-5R3/A](#) [PS3E-B12F](#) [PS3E-E12F](#) [AAD600S-4-OP](#) [R22095](#) [KD0204](#) [9021](#) [LDIN100150](#)
[LPM000-BBAR-01](#) [LPX17S-C](#) [EVS57-10R6/R](#) [FP80](#) [FRV7000G](#) [22929](#) [PS3E-F12F](#) [CQM1IA121](#) [40370121900](#) [VI-PU22-EXX](#)
[40370121910](#) [LDIN5075](#) [LPM615-CHAS](#) [LPX140-C](#) [09-160CFG](#) [70841025](#) [VPX3000-CBL-DC](#) [VI-LUL-IU](#) [LPM000-BBAR-05](#) [LPM000-](#)
[BBAR-08](#) [LPM124-OUTA1-48](#) [LPM000-BBAR-07](#) [LPM109-OUTA1-10](#) [LPM616-CHAS](#) [08-30466-1055G](#) [08-30466-2175G](#) [08-30466-](#)
[2125G](#) [DMB-EWG](#) [TVQF-1219-18S](#) [6504-226-2101](#) [CQM1IPS01](#) [SP-300-5](#) [CQM1-IPS02](#) [VI-MUL-ES](#) [22829](#) [08-30466-0065G](#) [VI-](#)
[RU031-EWWX](#) [08-30466-0028G](#) [EP3000AC48INZ](#)