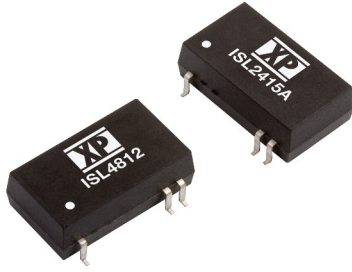


1.5 Watts

ISL Series



- Single & Dual Regulated Outputs
- 4:1 Input Range
- SMD Package
- Industry Standard Pinout
- 1500 VDC Isolation
- Short Circuit Protection
- 3 Year Warranty

Specification

Input

- Input Voltage Range** • 24 V (9-36 VDC)
48 V (18-72 VDC)
- Input Reverse Voltage Protection** • None
- Input Surge** • 24 V: 40 VDC for 100 ms
48 V: 80 VDC for 100 ms

Output

- Output Voltage** • See table
- Minimum Load** • 10%⁽¹⁾
- Line Regulation** • ±0.2% typical
- Load Regulation** • ±0.5% typical
- Setpoint Accuracy** • ±1%/±3% typical, positive/negative output
- Ripple & Noise** • 100 mV pk-pk 20 MHz bandwidth
- Temperature Coefficient** • 0.03%/°C
- Short Circuit Protection** • Continuous, automatic recovery

General

- Efficiency** • See table
- Isolation Voltage** • 1500 VDC
- Isolation Resistance** • 10⁹ Ω
- Isolation Capacitance** • 1000 pF typical
- Switching Frequency** • 550 kHz typical at nominal input, full load
- MTBF** • >1 Mhrs to MIL-HDBK-217F at 25 °C, GB
- Recommended Solder Profile** • IPC/JEDEC J-STD-020D.1

Environmental

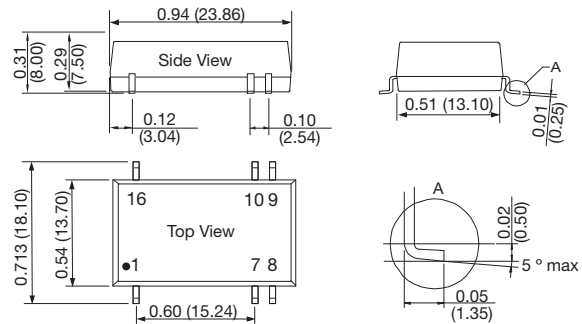
- Operating Temperature** • -40 °C to +85 °C, derate from 100% load at 70 °C to 0% load at 100 °C
- Storage Temperature** • -55 °C to +125 °C
- Case Temperature** • 100 °C max
- Cooling** • Convection-cooled
- Lead Temperature** • 240 °C, 0.06 in (1.5 mm) from case, 10 s

Notes

1. Operation at no load will not damage unit but it may not meet all specifications.

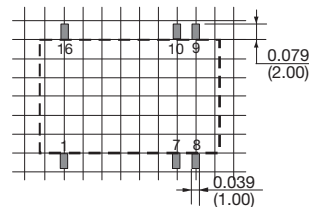
Input Voltage	Output Voltage	Output Current	Efficiency (typ)	Model Number ⁽⁶⁾
24 VDC	15.0 V	100 mA	80%	ISL2415A

Mechanical Details



Recommended footprint

Top view grid: 0.1 x 0.1 in (2.54 x 2.54 mm)



Pin	Single	Dual
1	-Vin	-Vin
7	N.C.	N.C.
8	N.C.	0 V
9	+Vo	+Vo
10	0 V	-Vo
16	+Vin	+Vin

N.C. Not connected

Notes

1. All dimensions in inches (mm)
2. Tolerance: ±0.010 (±0.25)
3. Weight: 0.011 lbs (5.2 g)
4. Pin tolerance: ±0.004 (±0.10 mm)
5. For optional tape & reel option add suffix -TR to the end of the p/n. Reel quantity = 200

X-ON Electronics

Largest Supplier of Electrical and Electronic Components

Click to view similar products for [XP Power](#) manufacturer:

Other Similar products are found below :

[FCM400PS12](#) [HDS1500PS12](#) [ECE40US24-SD](#) [ECE40US48](#) [EMH250PS12](#) [EML30US03-S](#) [IA0524D](#) [IR0512SA](#) [ISW0505A](#) [ITQ4824SA](#)
[ITV2405SA](#) [JCA0248S05](#) [JCD0412D05](#) [JCK3012S05](#) [LCL300PS12](#) [IE1205SH](#) [IL4805S](#) [ISH1515A](#) [JCA0305S15](#) [JCE0624D05](#)
[JCG1212S05](#) [JCK1524D12](#) [JTE0624D24](#) [VER05US060-JA](#) [JTL6048S12](#) [JTK3024S15](#) [JTC0648D03](#) [ACS40-60](#) [LOOM](#) [JCG1512D12](#)
[RCQ50110S15](#) [JCD0612S05](#) [IF0503S](#) [IEU0224D12](#) [IEQ0524S3V3](#) [IEU0312D05](#) [IEQ0548S24](#) [VER18US150-JA](#) [VER18US120-JA](#)
[AH20N-12](#) [TR05S15](#) [A20N-5](#) [A12N-5](#) [DTE2048S48](#) [DNR240TS24-I](#) [JCD0612D12](#) [IT4812SA](#) [IT4812S](#) [EML30US09-P](#) [EML15US12-S](#)
[CA02P-5](#)