

2 Watts ISP Series



- Single & Dual Regulated Outputs
- 2:1 Input Range
- SMD Package
- Industry Standard Pinout
- 1500 VDC Isolation
- -40 °C to +85 °C Operation
- 3 Year Warranty

Specification

Input

- Input Voltage Range • 12 V (9-18 VDC)
24 V (18-36 VDC)
- Input Reverse Voltage Protection • None
- Input Surge • 12 V: 22 VDC for 100 ms
24 V: 40 VDC for 100 ms

Output

- Output Voltage • See table
- Minimum Load • 10%⁽¹⁾
- Line Regulation • ±0.5%
- Load Regulation • ±1%, balanced load on dual outputs
- Setpoint Accuracy • ±3%/±5%, positive/negative output
- Ripple & Noise • 150 mV pk-pk 20 MHz bandwidth
- Temperature Coefficient • 0.03%/°C
- Short Circuit Protection • Continuous, automatic recovery

General

- Efficiency • See table
- Isolation Voltage • 1500 VDC
- Isolation Resistance • 10⁹ Ω
- Isolation Capacitance • 85 pF typical
- Switching Frequency • 300 kHz typical at nominal input, full load
- MTBF • >1 Mhrs to MIL-HDBK-217F at 25 °C, GB
- Recommended Solder Profile • IPC/JEDEC J-STD-020D.1

Environmental

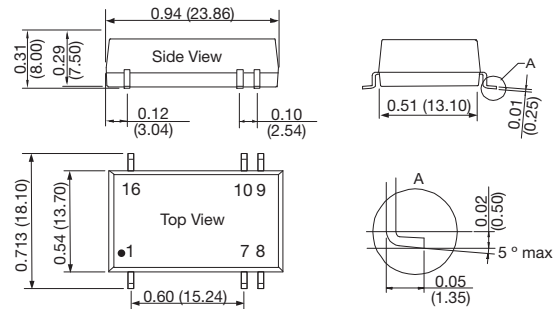
- Operating Temperature • -40 °C to +70 °C, derate linearly to 0% load at +100 °C
- Storage Temperature • -55 °C to +125 °C
- Case Temperature • 100 °C max
- Cooling • Convection-cooled
- Lead Temperature • 240 °C, 0.06 in (1.5 mm) from case, 10 s

Notes

1. Operation at no load will not damage unit but it may not meet all specifications.

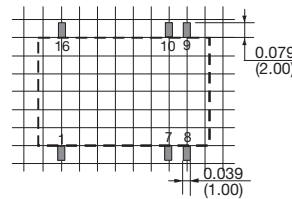
| Input Voltage | Output Voltage | Output Current | Efficiency (typ) | Model Number ⁽⁹⁾ |
|---------------|----------------|----------------|------------------|-----------------------------|
| 24 VDC | 3.3 V | 500 mA | 72% | ISP2403A |
| | 5.0 V | 400 mA | 76% | ISP2405A |
| | ±12.0 V | ±83 mA | 78% | ISP2412 |

Mechanical Details



Recommended footprint

Top view grid: 0.1 x 0.1 in (2.54 x 2.54 mm)



| Pin | Single | Dual |
|-----|--------|------|
| 1 | -Vin | -Vin |
| 7 | N.C. | N.C. |
| 8 | N.C. | 0V |
| 9 | +Vo | +Vo |
| 10 | 0V | -Vo |
| 16 | Vin | Vin |

N.C. Not connected

Notes

1. All dimensions in inches (mm)
2. Tolerance: ±0.010 (±0.25)
3. Pin tolerance: ±0.004 (±0.10 mm)
4. Weight: 0.011 lbs (5.2 g)
5. For optional tape & reel option add suffix -TR to the end of the p/n. Reel quantity = 200

X-ON Electronics

Largest Supplier of Electrical and Electronic Components

Click to view similar products for [XP Power](#) manufacturer:

Other Similar products are found below :

[FCM400PS12](#) [HDS1500PS12](#) [ECE40US24-SD](#) [ECE40US48](#) [EMH250PS12](#) [EML30US03-S](#) [IA0524D](#) [IR0512SA](#) [ISW0505A](#) [ITQ4824SA](#)
[ITV2405SA](#) [JCA0248S05](#) [JCD0412D05](#) [JCK3012S05](#) [LCL300PS12](#) [IE1205SH](#) [IL4805S](#) [ISH1515A](#) [JCA0305S15](#) [JCE0624D05](#)
[JCG1212S05](#) [JCK1524D12](#) [JTE0624D24](#) [VER05US060-JA](#) [JTL6048S12](#) [JTK3024S15](#) [JTC0648D03](#) [ACS40-60](#) [LOOM](#) [JCG1512D12](#)
[RCQ50110S15](#) [JCD0612S05](#) [IF0503S](#) [IEU0224D12](#) [IEQ0524S3V3](#) [IEU0312D05](#) [IEQ0548S24](#) [VER18US150-JA](#) [VER18US120-JA](#)
[AH20N-12](#) [TR05S15](#) [A20N-5](#) [A12N-5](#) [DTE2048S48](#) [DNR240TS24-I](#) [JCD0612D12](#) [IT4812SA](#) [IT4812S](#) [EML30US09-P](#) [EML15US12-S](#)
[CA02P-5](#)