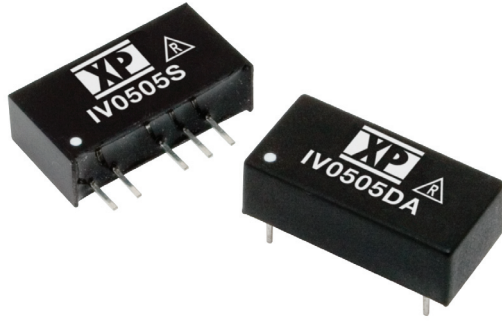


1 Watt IV Series



- Single & Dual Unregulated Output
- SIP or DIP Package
- 3.0kV DC Isolation
- Optional 4.0kV & 6.0kV DC Isolation
- -40°C to +85°C Operation
- MTBF >1.1 Mhrs
- 3 Year Warranty

Specification

Input

- Input Voltage Range • Nominal $\pm 10\%$
- Input Reflected • 20mA pk-pk through 12 μ H
- Ripple Current • 5Hz to 20MHz
- Input Reverse Voltage Protection • None
- Input Filter • Capacitor

Output

- Output Voltage • See table
- Minimum Load • None⁽³⁾
- Line Regulation • 1.2%/1% ΔV_{in}
- Load Regulation • $\pm 10\%$ 20-100% load change (3.3 V models $\pm 20\%$)
- Setpoint Accuracy • $\pm 3\%$
- Ripple & Noise • 75 mV pk-pk max, 20 MHz bandwidth
- Temperature Coefficient • 0.02%/°C
- Maximum Capacitive Load • Dual: $\pm 100 \mu$ F, Single: 220 μ F

General

- Efficiency • See table
- Isolation Voltage • 3000 VDC⁽⁴⁾
- Isolation Resistance • 10⁹ Ω
- Isolation Capacitance • 60 pF typical
- Switching Frequency • Variable, 80 KHz typical
- MTBF • >1.1 Mhrs to MIL-HDBK-217F at 25 °C, GB

Environmental

- Operating Temperature • -40 °C to +85 °C
- Storage Temperature • -40 °C to +125 °C
- Case Temperature • 100 °C max
- Cooling • Convection-cooled

Safety

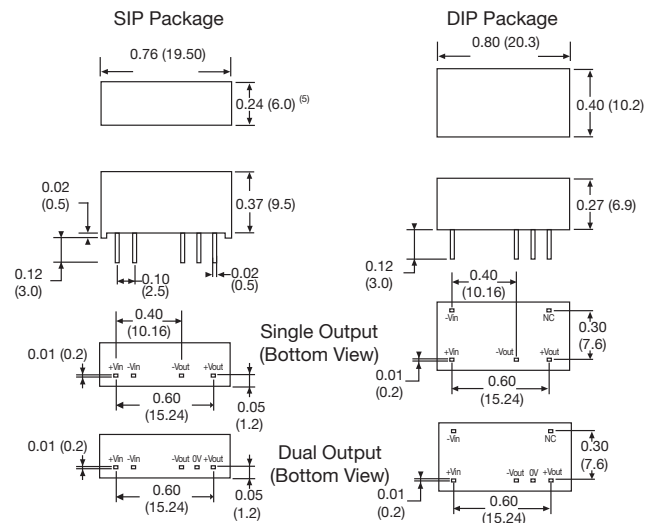
- Safety Approvals • UL60950-1 & CAN/CSA C22.2 No. 60950-1
UL62368-1 & CAN/CSA C22.2 No. 62368-1,
CE & UKCA meets all applicable directives & legislation.

Notes

1. For dual output, delete suffix 'A', and split current equally between rails.
2. For DIP package, replace 'S' in part number with 'D'.
3. Operation at no load will not damage unit but it may not meet all specifications.
4. For 4000 VDC Isolation, add suffix '-H4'. For 6000 VDC Isolation, add suffix '-H6'.
5. All dimensions in inches (mm).
6. Pin pitch tolerance: ± 0.014 (± 0.35)
7. Case tolerance: ± 0.02 (± 0.5)
8. Weight: SIP 0.006 lbs (2.6 g), DIP 0.005 lbs (2.3 g)

Input Voltage ⁽⁵⁾	No Load Input Current	Output Voltage	Output Current	Efficiency	Model Number ^(1,2)
5 VDC	30 mA	3.3 V	300 mA	75%	IV0503SA
	30 mA	5.0 V	200 mA	78%	IV0505SA
	30 mA	9.0 V	112 mA	75%	IV0509SA
	30 mA	12.0 V	84 mA	76%	IV0512SA
	30 mA	15.0 V	66 mA	76%	IV0515SA
	30 mA	24.0 V	42 mA	72%	IV0524SA
12 VDC	20 mA	3.3 V	300 mA	74%	IV1203SA
	20 mA	5.0 V	200 mA	74%	IV1205SA
	20 mA	9.0 V	112 mA	75%	IV1209SA
	20 mA	12.0 V	84 mA	77%	IV1212SA
	20 mA	15.0 V	66 mA	78%	IV1215SA
	20 mA	24.0 V	42 mA	75%	IV1224SA
24 VDC	10 mA	3.3 V	300 mA	75%	IV2403SA
	10 mA	5.0 V	200 mA	77%	IV2405SA
	10 mA	9.0 V	112 mA	75%	IV2409SA
	10 mA	12.0 V	84 mA	78%	IV2412SA
	10 mA	15.0 V	66 mA	78%	IV2415SA
	10 mA	24.0 V	42 mA	78%	IV2424SA

Mechanical Details



X-ON Electronics

Largest Supplier of Electrical and Electronic Components

Click to view similar products for [Isolated DC/DC Converters](#) category:

Click to view products by [XP Power](#) manufacturer:

Other Similar products are found below :

[ESM6D044440C05AAQ](#) [FMD15.24G](#) [PSL486-7LR](#) [Q48T30020-NBB0](#) [JAHW100Y1](#) [SPB05C-12](#) [SQ24S15033-PS0S](#) [18952](#) [19-130041](#)
[CE-1003](#) [CE-1004](#) [GQ2541-7R](#) [RDS180245](#) [MAU228](#) [J80-0041NL](#) [DFC15U48D15](#) [XGS-0512](#) [XGS-1205](#) [XGS-1212](#) [XGS-2412](#) [XGS-](#)
[2415](#) [XKS-1215](#) [06322](#) [NCT1000N040R050B](#) [SPB05B-15](#) [SPB05C-15](#) [L-DA20](#) [DCG40-5G](#) [QME48T40033-PGB0](#) [XKS-2415](#) [XKS-2412](#)
[XKS-1212](#) [XKS-1205](#) [XKS-0515](#) [XKS-0505](#) [XGS-2405](#) [XGS-1215](#) [XGS-0515](#) [PS9Z-6RM4](#) [73-551-5038I](#) [AK1601-9RT](#) [VI-N61-CM](#) [VI-](#)
[R5022-EXWW](#) [PSC128-7iR](#) [RPS8-350ATX-XE](#) [DAS1004812](#) [PQA30-D24-S24-DH](#) [VI-M5F-CQ](#) [VI-LN2-EW](#) [VI-PJW01-CZY](#)