

LDU56 Series



- Constant Current Output
- LED Drive Current up to 1000 mA
- LED Strings from 2 V to 56 V
- PWM Dimming Control
- High Efficiency – up to 97%
- Open or Short Circuit LED Protection
- 3 Year Warranty

Specification

Input

- | | |
|---------------|---------------------|
| Input Voltage | • 9-60 VDC |
| Input Filter | • Capacitor |
| Input Surge | • 65 VDC for 500 ms |

Output

- | | |
|------------------------------|---|
| Output Voltage | • 2-56 V (V_{in} must be at least 4 V greater than V_{out}) |
| Output Current | • See tables |
| Output Current Accuracy | • See tables |
| Ripple & Noise | • See tables, measured with 20 MHz bandwidth |
| Short Circuit Protection | • Current is limited to the rated output |
| Capacitive Load | • 2.2 μ F max |
| Temperature Coefficient | • $\pm 0.03\%/^{\circ}\text{C}$ max |
| Remote On/Off | • On = 2.5-5.0 V or open circuit
Off = ≤ 0.8 V (applied to control pin)
Quiescent input current is 3 mA max, |
| Remote On/Off Signal Current | • 1 mA max |

Dimming

- | | |
|----------------------|------------------|
| PWM | |
| Output Current Range | • 1% to 100% |
| Operating Frequency | • 1 kHz max |
| On Time | • 50 μ s min |
| Off Time | • 50 μ s min |
| Amplitude | • 2.5 V, 5 V max |

General

- | | |
|---------------------|---|
| Efficiency | • See tables |
| Switching Frequency | • 40-1000 kHz variable |
| MTBF | • > 2.0 Mhrs to MIL-HDBK-217F at 25 $^{\circ}\text{C}$, GB |

Environmental

- | | |
|-----------------------|---|
| Operating Temperature | • -40 $^{\circ}\text{C}$ to +85 $^{\circ}\text{C}$ for 300/350 mA versions, -40 $^{\circ}\text{C}$ to +70 $^{\circ}\text{C}$ for others |
| Storage Temperature | • -40 $^{\circ}\text{C}$ to +125 $^{\circ}\text{C}$ |
| Humidity | • Up to 95%, non-condensing |
| Thermal Impedance | • 16.7 $^{\circ}\text{C}/\text{W}$ model dependant |

EMC

- | | |
|--------------------|---|
| Emissions | • EN55015 class B conducted & radiated with external components - see application notes |
| ESD Immunity | • EN61000-4-2, level 2 Perf Criteria A |
| Radiated Immunity | • EN61000-4-3, level 2 Perf Criteria A |
| EFT/Burst | • EN61000-4-4, level 2 Perf Criteria A |
| Conducted Immunity | • EN61000-4-6, level 2 Perf Criteria A |
| Magnetic Field | • EN61000-4-8, level 2 Perf Criteria A |

Safety

- | | |
|------------------|---|
| Safety Approvals | • CE (Meets all applicable directives), UKCA (Meets all applicable legislation) |
|------------------|---|

Models and Ratings

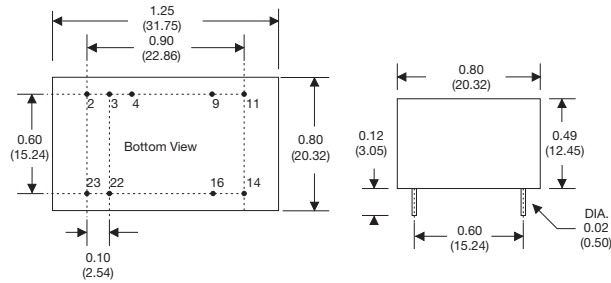
With Dimming Control

Output Power	Input Voltage Range	Output Voltage	Output Ripple & Noise	Output Current	Output Current Accuracy	Efficiency	Model Number ⁽¹⁾
16.8 W	9-60 V	2-56 V	250 mV	300 mA	±6%	97%	LDU5660S300
19.6 W	9-60 V	2-56 V	300 mV	350 mA	±5%	97%	LDU5660S350
28.0 W	9-60 V	2-56 V	350 mV	500 mA	±5%	97%	LDU5660S500
33.6 W	9-60 V	2-56 V	400 mV	600 mA	±5%	97%	LDU5660S600
39.2 W	9-60 V	2-56 V	400 mV	700 mA	±5%	97%	LDU5660S700
50.0 W	9-60 V	2-56 V	450 mV	1000 mA	±5%	97%	LDU5660S1000

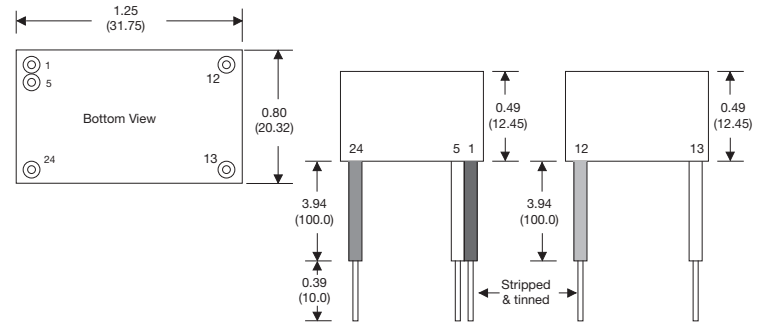
1. Add suffix '-W' for wired version, e.g. LDU5660S500-W, or '-WD' for wired version with dimming function e.g. LDU5660S500-WD.

Mechanical Details

LDU56 - 24 Pin DIL



LDU56 - Wired versions



LDU56 Connections			
LDU56	LDU56-W	LDU56-WD	Function
2 & 3	1 (Black)	1 (Black)	-Vin: -DC supply
4	No Wire	5 (White)	Control
9 & 11	12 (Blue)	12 (Blue)	-Vout: LED cathode connection
14 & 16	13 (Yellow)	13 (Yellow)	+Vout: LED anode connection
22 & 23	24 (Red)	24 (Red)	+Vin: +DC supply

Note: Do not connect pins 2 & 3 (-Vin) to pins 9 & 11 (-Vout)

Notes

- All dimensions are in inches (mm)
- Weight: LDU56 - 0.04 lbs (17.7 g) approx.
LDU56 (wired version) - 0.05 lbs (22.0 g) approx.
- Pin diameter: 0.02±0.002 (0.5±0.05)
- Pin pitch & length tolerance: ±0.014 (±0.35)
- Case tolerance: ±0.02 (±0.5)

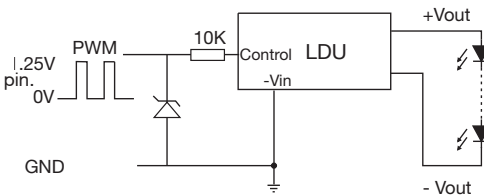
Application Notes

Output Current Adjustment by PWM

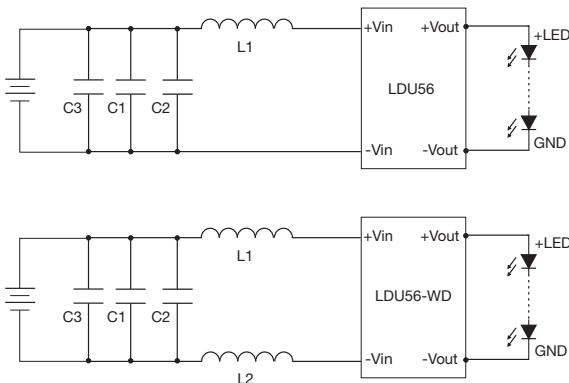
A Pulse Width Modulated (PWM) signal with duty cycle DPWM can be applied to the control pin.

The output current can be determined using the equation : $I_{out} = \text{Rated Max } I \times D_{pwm}$

D_{pwm} = PWM duty cycle



Input Filter to meet Class B Conducted Emissions



	C1	C2	L	C3
LDU5660Sxxx	2220,475K,100V,X7R	2220,475K,100V,X7R	68 μH	100 μF/100 V

	C1	C2	L1, L2	C3
LDU5660Sxxx-WD	2220,475K,100V,X7R	2220,475K,100V,X7R	47 μH	100 μF/100 V

X-ON Electronics

Largest Supplier of Electrical and Electronic Components

Click to view similar products for [LED Power Supplies](#) category:

Click to view products by [XP Power](#) manufacturer:

Other Similar products are found below :

[ESS015W-1000-12](#) [PDA-WIFI](#) [PIFC-K250F](#) [PITB-K222A](#) [ALD-514012PJ134](#) [LB240S24KH](#) [LMH020-SPLC-0000-0000001](#) [79534](#) [79535](#)
[EUG-200S210DT](#) [ESS030W-1050-21](#) [ESS030W-0900-32](#) [BPOXL 4-12-035](#) [ESS010W-0350-24](#) [ESS010W-0200-42](#) [ESM060W-1400-42](#)
[PDA080B-1A0G](#) [ESS010W-0500-12](#) [PDA150B-S1A5G](#) [SLM140W-1.05-130-ZA](#) [ESS015W-0700-18](#) [EUD-150S350DVA](#) [LWA320-C420-](#)
[ARK-B](#) [HVG-240-48AB](#) [HVG-320-36AB](#) [HVG-320-54AB](#) [ELG-240-C1400AB](#) [EUK-150S105DV](#) [BXCS-12Z-N2P-B1-A](#) [BXPR-WN-01-A](#)
[LN1224CV](#) [BXCS-12D-N2P-01-A](#) [BXCS-12W-N2P-01-A](#) [HBG-160-24AB](#) [980100001200394](#) [980060001200376](#) [LC 14W 250-350MA](#)
[FLEXC R ADV2](#) [LC 24W 500-600MA FLEXC R ADV2](#) [LC 36W 850-900MA FLEXC R ADV2](#) [LC 50W 200-350ML 170V FLEXC LP](#)
[SNC4](#) [LC 25W 200-350ML 70V FLEXC LP SNC4](#) [LC 35W 200-350ML 121V FLEXC LP SNC4](#) [LCBI 10W 350MA PHASE-CUT/1-10V LP](#)
[LC 13W 300MA FIXC C SNC](#) [LC 10W 250MA FIXC SC SNC2](#) [LC 35W 800MA FIXC SR ADV2](#) [LC 38W 900MA FIXC SR ADV2](#) [LC](#)
[34W 800MA FIXC SC ADV2](#) [LC 44W 1050MA FIXC SC ADV2](#) [LC 38W 900MA 42V FIXC SRL ADV2](#)