

300 Watts

- 180 - 425VDC Input Range
- Regulated Single Output
- Industry Standard Half Brick
- 3kVAC Isolation
- Output Trim -20% to +10%
- Remote On/Off
- Overtemperature Protection
- -40°C to +100°C Operation
- 3 Year Warranty



Dimensions:

QHL300:

2.4 x 2.28 x 0.5" (61.0 x 57.9 x 12.7 mm)

The QHL300 series offers a compact 300W DC-DC solution in an industry standard half brick package. This series of modules enables effective construction of distributed power architectures from AC front ends, PFC front ends and battery systems.

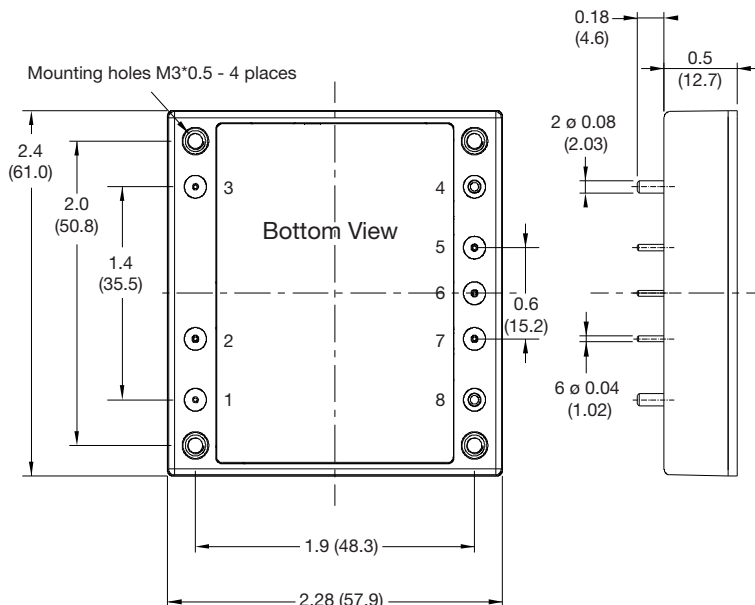
Models & Ratings

Input Voltage	Output Voltage	Output Current	Input Current ⁽¹⁾		Ripple & noise pk-pk	Efficiency at Vin Nominal with full load	Maximum Capacitive Load	Model Number
			No Load	Full Load at Vin Nominal				
300V (180-425V)	5V	60A	10mA	1.12A	120mV	89%	10000µF	QHL300300S05
	12V	25A		1.13A	150mV	88%	10000µF	QHL300300S12
	24V	12.5A		1.11A	240mV	90%	6000µF	QHL300300S24
	28V	10.7A		1.11A	280mV	90%	6000µF	QHL300300S28
	48V	6.25A		1.11A	480mV	90%	3000µF	QHL300300S48

Notes

1. Measured at 300VDC nominal input.
2. Peak to peak measured at 20MHz bandwidth and i) 47µF tantalum and 1µF ceramic capacitor across output for 5V model
ii) 10µF al. and 1µF ceramic capacitor across output for 48V model
iii) 10µF tantalum and 1µF ceramic capacitor across output for 12V, 24V and 28V models
3. Recommended input capacitance of 330µF required to reduce input ripple voltage at -40°C operation or 150µF for operation to -20°C. See application notes.

Mechanical Details



Pin Connections	
Pin	Function
1	+Vin
2	Remote On/Off
3	-Vin
4	-Vout
5	-Sense
6	Trim
7	+Sense
8	+Vout

Notes

1. All dimensions are in inches (mm)
2. Weight: 0.198 lbs (90 g) approx.
3. Tolerance: x.xx = ±0.02 (x.x = ±0.5)
x.xxx = ±0.01 (x.xx = ±0.25)

Input

Characteristic	Minimum	Typical	Maximum	Units	Notes & Conditions
Input Voltage Range	180		425	VDC	
Input Current			1.9	A	180VDC input, 100% load
Undervoltage Lockout		170		VDC	On
		160			Off
Lockout Hysteresis		10		VDC	
Input Transient Voltage			500	VDC	For 100ms
Idle Current		10		mA	No load
Standby Mode		3		mA	When module inhibited
Inrush Current			0.1	A ² s	ETS300 132-2
Recommended Input Fuse		5		A	Time delay type, see application note
Input Reflected Ripple Current			50	mA pk-pk	Through 10µH inductor

Output

Characteristic	Minimum	Typical	Maximum	Units	Notes & Conditions
Output Voltage	5		48	VDC	See Models and Ratings table
Output Trim	-20		+10	%	See Application Note
Initial Set Accuracy			±1	%	At full load
Minimum Load	0			%	No minimum load required
Line Regulation			±0.2	%	From minimum to maximum input at full load
Load Regulation			±0.2	%	From 0% to full load
Transient Response			±5.0	%	Maximum deviation, recovering to less than 1% in 250µs for 25% step load change.
Start Up Time		300		ms	
Output Voltage Rise Time		10		ms	
Ripple & Noise				mV pk-pk	See models and ratings table
Overload Protection	110	125	140	%	
Short Circuit Protection					Continuous hiccup mode, with auto recovery
Maximum Capacitive Load					See Models and Ratings table
Temperature Coefficient			±0.02	%/°C	
Overvoltage Protection	115	125	140	%	Of nominal input voltage (non latching)
Remote On/Off	Output is on if remote on/off (pin 2) is open or high (3.5-75VDC) with respect to pin 4 or -Vin (Non latching clamp) Output turns off if remote on/off (pin 2) is low (<1.2VDC max) with respect to pin 4 or -Vin				

General

Characteristic	Minimum	Typical	Maximum	Units	Notes & Conditions
Efficiency		90		%	See Models and Ratings table
Isolation: Input to Output	3000			VAC	60s reinforced
Isolation: Input to Case	2500			VAC	60s basic
Isolation: Output to Case	500			VAC	60s functional
Switching Frequency	270	300	330	kHz	Fixed PWM
Isolation Resistance	100			MΩ	
Case Material	Plastic (DAP) with aluminium base plate. UL94V-0 rated.				
Potting Material	Epoxy UL94V-0				
Pin Material	Copper with nickel and matte tin plate				
Solder Profile			260	°C	With iron 450°C, 5s max. 1.5mm from case 10s max
Water Wash	Use deionized water, do not soak. Dry thoroughly				
Power Density			109	W/in ³	
Mean Time Between Failure	470			kHrs	5V models, MIL-HDBK-217F, +25 °C GB, full load
	590				12V models, MIL-HDBK-217F, +25 °C GB, full load
	760				Others, MIL-HDBK-217F, +25 °C GB, full load
Weight		0.198 (90.0)		lb (g)	

Environmental

Characteristic	Minimum	Typical	Maximum	Units	Notes & Conditions
Operating Base Plate Temperature	-40		+100	°C	
Storage Temperature	-55		+105	°C	
Thermal Protection		+105		°C	Auto recovery at 95°C typical
Humidity			95	%RH	Non-condensing
Cooling					Baseplate-cooled
Altitude			2000	m	Operating. Storage to 12000m
Shock and Vibration					EN61373/MIL-STD-810F

Safety Approvals

Agency	Standard	Notes & Conditions
UL	cUL60950-1	ITE
CE	LVD	EN62368-1

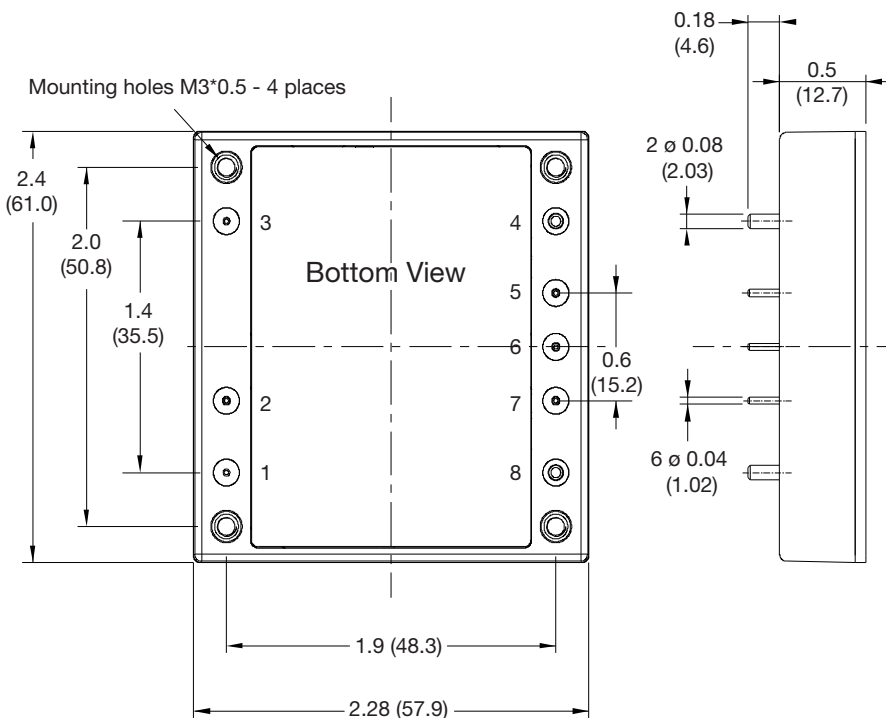
EMC: Emissions

Phenomenon	Standard	Test Level	Notes & Conditions
Conducted	EN55032	Class A	See Application Notes
Radiated	EN55032	Class A	See Application Notes

EMC: Immunity

Phenomenon	Standard	Test Level	Criteria	Notes & Conditions
ESD Immunity	EN61000-4-2	±6kV/±8kV	A	Contact Discharge/Air Discharge
Radiated Immunity	EN61000-4-3	20V/m	A	
EFT/Burst	EN61000-4-4	±2kV	A	See application note
Surge	EN61000-4-5	±2kV	A	See application note
Conducted Immunity	EN61000-4-6	10Vrms	A	
Magnetic Fields	EN61000-4-8	100A/m	A	

Mechanical Details



Pin Connections	
Pin	Function
1	+Vin
2	Remote On/Off
3	-Vin
4	-Vout
5	-Sense
6	Trim
7	+Sense
8	+Vout

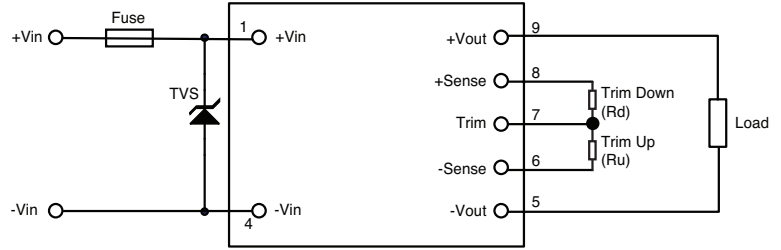
Notes

- All dimensions are in inches (mm)
- Weight: 0.198lbs (90g) approx.
- Tolerance: x.xx = ±0.02 (x.x = ±0.5)
x.xxx = ±0.01 (x.xx = ±0.25)

Application Notes

Input Fusing and Safety Considerations

The QHL300 series converters have no internal fuse. For safety and system protection, always use an input line fuse. A 5.0A time delay fuse is recommended. It is also recommended the circuit has a transient voltage suppressor diode (TVS) across the input terminals to protect the unit against surges, spikes and input reverse voltage (as shown). A suitable part is SMCJ440A.



Suggested Basic Layout

Output Voltage Sensing

The module will automatically trim the output voltage via the sense pins to the default values either locally or at the load. If not required, the sense pins should be connected locally as indicated in the example EMC circuit.

Output Voltage Adjustment

The Trim input permits the user to adjust the output voltage up by 10% or down by 20%. This is accomplished by connecting an external resistor between the Trim pin and -sense to trim up, or between the trim pin and +sense to trim down.

To Trim Down (Rd)

Trim Down %	5V	12V	24V	28V	48V
	Rd KΩ				
1	111.9	687.3	1704	2067	3295
2	53.88	327.1	807.8	987.5	1588
3	34.55	207	509.2	627.8	1020
4	24.88	147	359.9	447.9	735.1
5	19.08	111	270.3	340	564.5
6	15.21	86.97	210.6	268	450.8
7	12.45	69.82	168	216.6	369.5
8	10.38	56.95	136	178.1	308.6
9	8.77	46.95	111.1	148.1	261.2
10	7.48	38.94	91.17	124.1	223.3
11	6.425	32.39	74.88	104.5	192.2
12	5.547	26.93	61.31	88.17	166.4
13	4.803	22.32	49.82	74.33	144.5
14	4.166	18.36	39.98	62.47	125.8
15	3.613	14.93	31.44	52.19	109.5
16	3.13	11.93	23.98	43.2	95.28
17	2.704	9.277	17.39	35.26	82.74
18	2.324	6.923	11.54	28.21	71.58
19	1.985	4.817	6.298	21.9	61.61
20	1.68	2.921	1.583	16.22	52.63

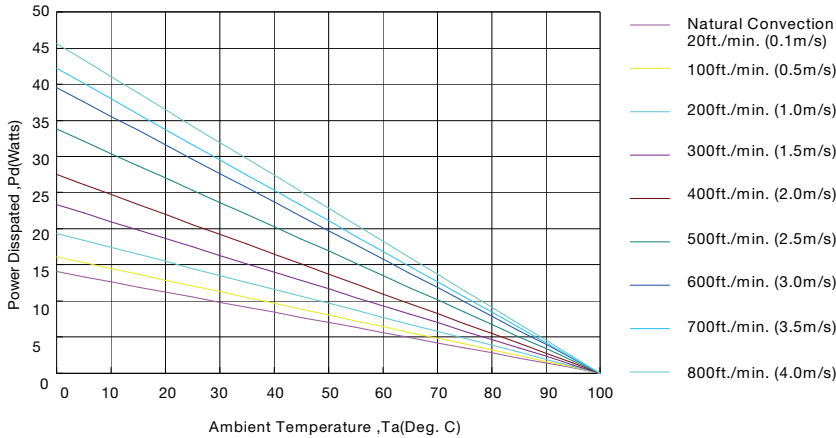
To Trim Up (Ru)

Trim Up %	5V	12V	24V	28V	48V
	Ru KΩ				
1	114.2	154.1	164.1	167.1	147.4
2	56.2	74.95	78.65	80.73	71.3
3	36.87	48.56	50.18	51.93	45.93
4	27.2	35.37	35.95	37.52	33.25
5	21.4	27.46	27.41	28.88	25.64
6	17.53	22.18	21.71	23.12	20.56
7	14.77	18.41	17.65	19.01	16.94
8	12.7	15.58	14.6	15.92	14.22
9	11.09	13.38	12.22	13.52	12.11
10	9.8	11.63	10.33	11.6	10.42

Application Notes

Thermal Resistance Information

Airflow Derating Graph - Without Heatsink



Air Flow Rate	Typical Rca
Natural Convection 20ft/min (0.1m/s)	7.12°C/W
100ft/min (0.5m/s)	6.21°C/W
200ft/min (1.0m/s)	5.17°C/W
300ft/min (1.5m/s)	4.29°C/W
400ft/min (2.0m/s)	3.64°C/W
500ft/min (2.5m/s)	2.96°C/W
600ft/min (2.5m/s)	2.53°C/W
700ft/min (2.5m/s)	2.37°C/W
800ft/min (2.5m/s)	2.19°C/W

Example (Without Heatsink)

To determine the minimum airflow necessary for a QHL300300S12 operating at an input voltage of 300V, an output current of 20A, and a maximum ambient temperature of 40°C:

Determine Power dissipation (Pd): $Pd = Pi - Po = Po(1-\eta)/\eta$,

$$Pd = 12V \times 20A \times (1-0.89) / 0.89 = 33$$

Where Pi = Input power, Po = Output Power and η = Efficiency

Determine airflow from airflow derating graph using data points for Pd = 33W and Ta = 40°C

Minimum airflow = 700ft./min.

To check that the maximum case temp of 100°C is not exceeded:

Maximum temperature rise is

$$\Delta T = Pd \times Rca = 33 \times 1.5 = 49.5^\circ C$$

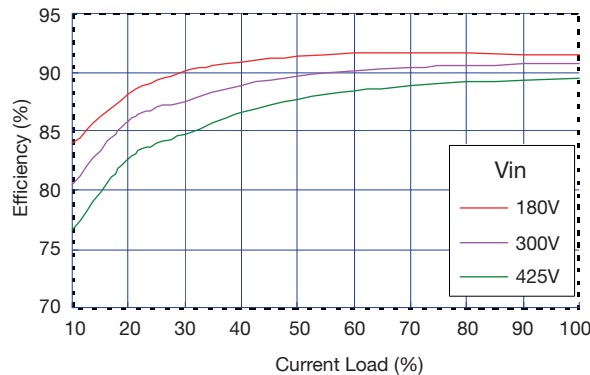
Maximum case temperature is

$$Tc = Ta + \Delta T = 40 + 49.5^\circ C = 90^\circ C < 100^\circ C$$

Where: Rca is the thermal resistance from case to ambient environment. Ta is ambient temperature and Tc is case temperature.

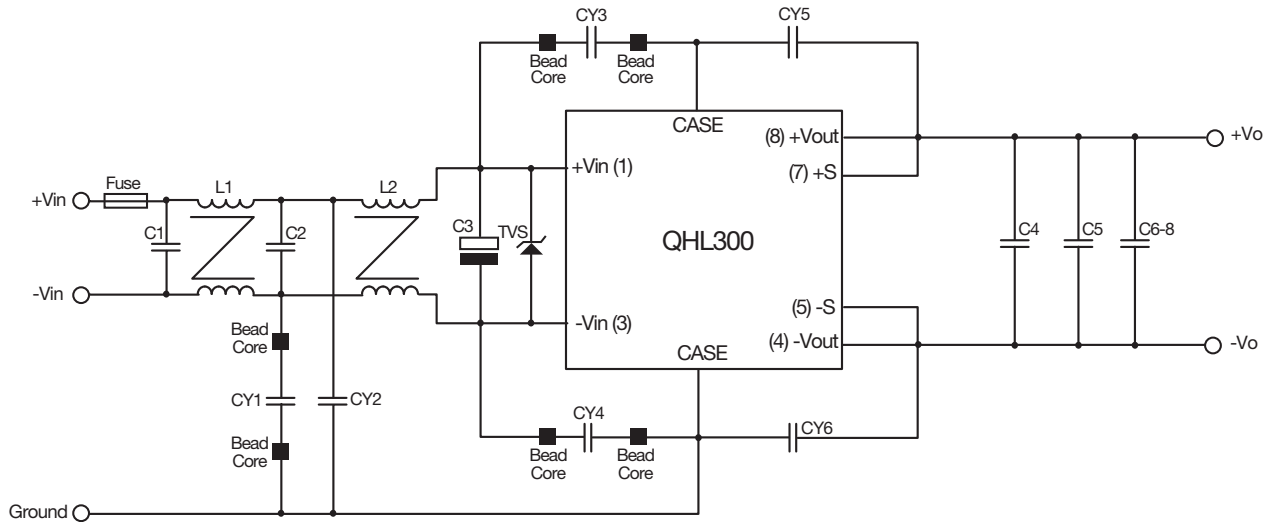
Example Efficiency Curve

Example based on QHL300300S28



Application Notes

Conducted and Radiated Emissions - Class A



Model Number	C1	C2	C3*	C4	C5	C6	C7	C8
QHL300300S05	0.22 μ F/630V	0.22 μ F/630V	330 μ F/450V	4.7 μ F/50V	4.7 μ F/50V	0.47 μ F/250V	0.47 μ F/250V	0.47 μ F/250V
QHL300300S48	0.22 μ F/630V	0.22 μ F/630V	330 μ F/450V	4.7 μ F/100V	4.7 μ F/100V	0.47 μ F/250V	0.47 μ F/250V	0.47 μ F/250V
QHL300300Sxx	0.22 μ F/630V	0.22 μ F/630V	330 μ F/450V	4.7 μ F/50V	4.7 μ F/50V	0.47 μ F/250V	0.47 μ F/250V	0.47 μ F/250V

Model Number	CY1	CY2	CY3	CY4	CY5	CY6	L1	L2	Bead Core
QHL300300S05	100pF	1500pF	1500pF	1500pF	4700pF	4700pF	5.5mH/5A	5.5mH/5A	CY1, CY3, CY4
QHL300300S48	100pF	1500pF	1500pF	1500pF	4700pF	4700pF	5.5mH/5A	5.5mH/5A	CY3, CY4
QHL300300Sxx	100pF	1500pF	1500pF	1500pF	4700pF	4700pF	5.5mH/5A	5.5mH/5A	CY3, CY4

Notes

C1, C2, C4- C8: Ceramic capacitors, C3 aluminum capacitor.

C3*: is recommended to be 330 μ F 450V for operation to -40°C type Nippon Chemi-Con KXG series or equivalent. The value of C3 can be reduced to 150 μ F for operation to -20°C.

CY1, CY2, CY3, CY4, CY5, CY6: Ceramic

BEAD CORE: 4.0 x 2.0 x 1.5mm

TVS 440V_R I_{pp} 2.1A example, SMCJ440A

Fuse 5A time delay

X-ON Electronics

Largest Supplier of Electrical and Electronic Components

Click to view similar products for [Isolated DC/DC Converters](#) category:

Click to view products by [XP Power](#) manufacturer:

Other Similar products are found below :

[ESM6D044440C05AAQ](#) [FMD15.24G](#) [PSL486-7LR](#) [Q48T30020-NBB0](#) [JAHW100Y1](#) [SPB05C-12](#) [SQ24S15033-PS0S](#) [18952](#) [19-130041](#)
[CE-1003](#) [CE-1004](#) [GQ2541-7R](#) [RDS180245](#) [MAU228](#) [J80-0041NL](#) [DFC15U48D15](#) [XGS-0512](#) [XGS-1205](#) [XGS-1212](#) [XGS-2412](#) [XGS-2415](#) [XKS-1215](#) [06322](#) [NCT1000N040R050B](#) [SPB05B-15](#) [SPB05C-15](#) [L-DA20](#) [DCG40-5G](#) [QME48T40033-PGB0](#) [XKS-2415](#) [XKS-2412](#)
[XKS-1212](#) [XKS-1205](#) [XKS-0515](#) [XKS-0505](#) [XGS-2405](#) [XGS-1215](#) [XGS-0515](#) [PS9Z-6RM4](#) [73-551-5038I](#) [AK1601-9RT](#) [VI-N61-CM](#) [VI-R5022-EXWW](#) [PSC128-7iR](#) [RPS8-350ATX-XE](#) [DAS1004812](#) [PQA30-D24-S24-DH](#) [VI-M5F-CQ](#) [VI-LN2-EW](#) [VI-PJW01-CZY](#)