

## SMC/SMD Series



- High Peak Load Rating
- Single Outputs from 3.3 V to 54 V
- Active PFC
- Remote On/Off
- Optional Current Share
- SEMI F47 Compliant
- 3 Year Warranty

## Specification

## Input

Input Voltage	• 90-264 VAC (120-370 VDC)
Input Frequency	• 47-63 Hz
Input Current	• 9 A at 90 VAC, 3.5 A at 230 VAC
Inrush Current	• 40 A at 230 VAC
Power Factor	• EN61000-3-2 class A EN61000-3-2 class C for load 40%
Earth Leakage Current	• <2.4 mA max at 264 VAC
Input Protection	• Fitted with a T10 A/250 V fuse

## Output

Output Voltage	• See tables
Output Voltage Trim	• $\pm 5\%$ minimum
Initial Set Accuracy	• $\pm 1\%$
Minimum Load	• 1% load required to meet specified ripple & noise and regulation
Start Up Delay	• 1.5 s at 230 VAC, 2.5 s at 110 VAC
Start Up Rise Time	• 40 ms typical
Hold Up Time	• 18 ms min at 120 VAC
Line Regulation	• $\pm 0.5\%$ , low line to high line
Load Regulation	• $\pm 1\%$ , 1-100% of load, see note 4
Over/Undershoot	• 5% max
Transient Response	• 5% max deviation, 500 $\mu$ s recovery to within 1% for a 50% load change
Ripple & Noise	• See table
Overvoltage Protection	• 110-130% recycle input to reset
Overtemperature Protection	• >85 °C ambient with auto recovery (measured internally)
Overload Protection	• 110% to 135% with auto recovery
Short Circuit Protection	• Trip and restart (Hiccup mode)
Remote Sense	• Compensates for up to 0.5 V line drop (not available with current share)
Remote On/Off	• On = TTL Logic HIGH, or open circuit Off = TTL Logic LOW or short circuit
Current Share	• Optional single wire current share, will allow up to 4 units share within 10%, includes ORing diode

## General

Efficiency	• 80% min at 230 VAC, 70% min for $V_o \leq 5V$
Isolation	• 3000 VAC Input to Output, 1500 VAC Input to Ground, 250 VDC Output to Ground
Switching Frequency	• 100 kHz PFC, 25 kHz PWM typical
Power Density	• 6.93 W/In <sup>3</sup>
Signals	• Green LED for Power On, Power Good TTL HIGH within 100-500 ms and LOW $\geq 1$ ms before loss of regulation
Current Monitor	• 0.5 V to 3 V output voltage denoting 0-100% output current
MTBF	• 100 kHrs min to MIL-HDBK-217F at 25 °C, GB

## Environmental

Operating Temperature	• 0 °C to +70 °C, derate from 100% load at +50 °C to 50% load at +70 °C
Cooling	• 30 CFM for SMD U-channel versions (SMC Versions have integral fan)
Operating Humidity	• 5-90%, non-condensing
Storage Temperature	• -20 °C to +85 °C
Operating Altitude	• 3000 m
Shock	• 15 g (non-operation), 11 ms (half sine wave), 3 times for each axis
Vibration	• 10-55 Hz (non-operation) 2 g, sweep time 3 mins, 60 mins/axis

## EMC &amp; Safety

Emissions	• EN55032 Class B conducted
Harmonic Currents	• EN61000-3-2 class A EN61000-3-2 class C for load 40%
Voltage Flicker	• EN61000-3-3
ESD Immunity	• EN61000-4-2, level 3 Perf Criteria A
Radiated Immunity	• EN61000-4-3, 3 V/m Perf Criteria A
EFT/Burst	• EN61000-4-4, level 2 Perf Criteria A
Surge	• EN61000-4-5, installation class 3 Perf Criteria A
Conducted Immunity	• EN61000-4-6, 3V Perf Criteria A
Dips & Interruptions	• EN61000-4-11, 30% 10 ms, 60% 100 ms, 100% 5000 ms Perf Criteria A, B, B
Safety Approvals	• EN62368-1, UL62368-1, CSA62368-1 via cUL, CE Mark LVD, SEMI F47 Compliant (high line only) at 100% rated power output

Output Power	Output Voltage <sup>(3)</sup>	Output Current		Ripple & Noise <sup>(2)</sup>	Model Number
	Preset	Maximum	Peak <sup>(1)</sup>		
264 W	3.3 V	80.00 A	120.00 A	75 mV	SMC500PS03-C <sup>(6)</sup>
400 W	5.0 V	80.00 A	120.00 A	75 mV	SMC500PS05-C <sup>(6)</sup>
500 W	12.0 V	41.67 A	75.00 A	120 mV	SMC500PS12-C
	15.0 V	31.00 A	56.00 A	150 mV	SMC500PS15-C <sup>(6)</sup>
	18.0 V	27.78 A	50.00 A	180 mV	SMC500PS18-C <sup>(6)</sup>
	24.0 V	20.83 A	37.50 A	240 mV	SMC500PS24-C
	27.0 V	18.50 A	33.33 A	270 mV	SMC500PS27-C <sup>(6)</sup>
	36.0 V	13.89 A	25.00 A	360 mV	SMC500PS36-C <sup>(6)</sup>
	48.0 V	10.42 A	18.75 A	480 mV	SMC500PS48-C
	54.0 V	9.25 A	16.67 A	540 mV	SMC500PS54-C <sup>(6)</sup>
297 W	3.3 V	90.00 A	135.00 A	100 mV	SMC600PS03-C <sup>(6)</sup>
450 W	5.0 V	90.00 A	135.00 A	100 mV	SMC600PS05-C <sup>(6)</sup>
600 W	12.0 V	50.00 A	75.00 A	120 mV	SMC600PS12-C
	15.0 V	40.00 A	56.00 A	150 mV	SMC600PS15-C <sup>(6)</sup>
	18.0 V	33.00 A	50.00 A	180 mV	SMC600PS18-C <sup>(6)</sup>
	24.0 V	25.00 A	37.50 A	240 mV	SMC600PS24-C
	27.0 V	22.22 A	33.33 A	270 mV	SMC600PS27-C <sup>(6)</sup>
	36.0 V	16.67 A	25.00 A	360 mV	SMC600PS36-C <sup>(6)</sup>
	48.0 V	12.50 A	18.75 A	480 mV	SMC600PS48-C
	54.0 V	11.10 A	16.67 A	540 mV	SMC600PS54-C <sup>(6)</sup>

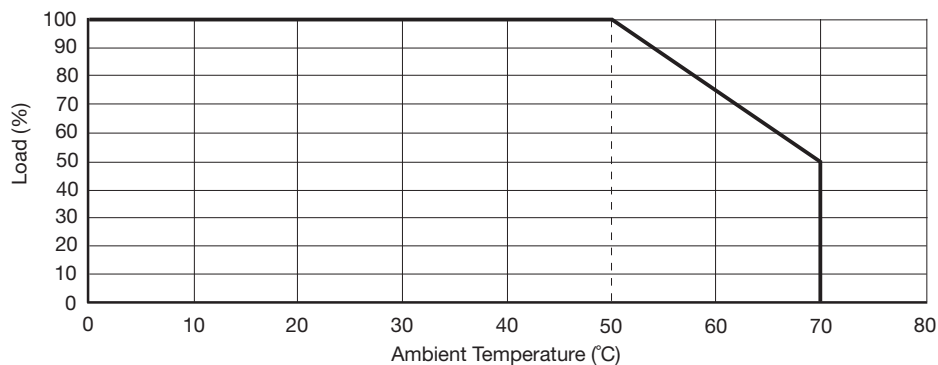
**Notes**

1. This peak can be taken for 500 μs only, average power should not exceed the maximum power.
2. Ripple & Noise is measured using 0.1 μF ceramic and 22 μF electrolytic capacitor, 20 MHz bandwidth.
3. Alternative output voltages available, consult sales.
4. Load regulation increases to 2% for 0-100% load change.
5. For output currents >50 A, please utilise remote sense to meet regulation ratings.
6. Available for OEM quantities, contact Sales.

**Options**

- For U-channel version replace 'SMC' in the part number with 'SMD' and remove '-C' e.g. SMD600PS12 (See Derating Curve Note 1.)
- Constant current limit (95-100%) add suffix '-B' (not available on 3.3 V or 5.0 V models), OEM quantities contact Sales.
- Current share and internal ORing diode add suffix '-I' to model number, remote sense not available on '-I' models, OEM quantities contact Sales.
- Optional IEC320 inlet replace suffix '-C' with '-D'. Not available for SMD models.

**Derating Curve**



**Notes**

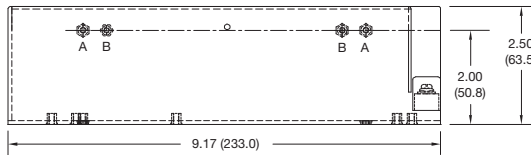
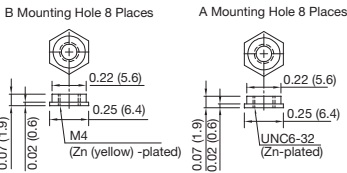
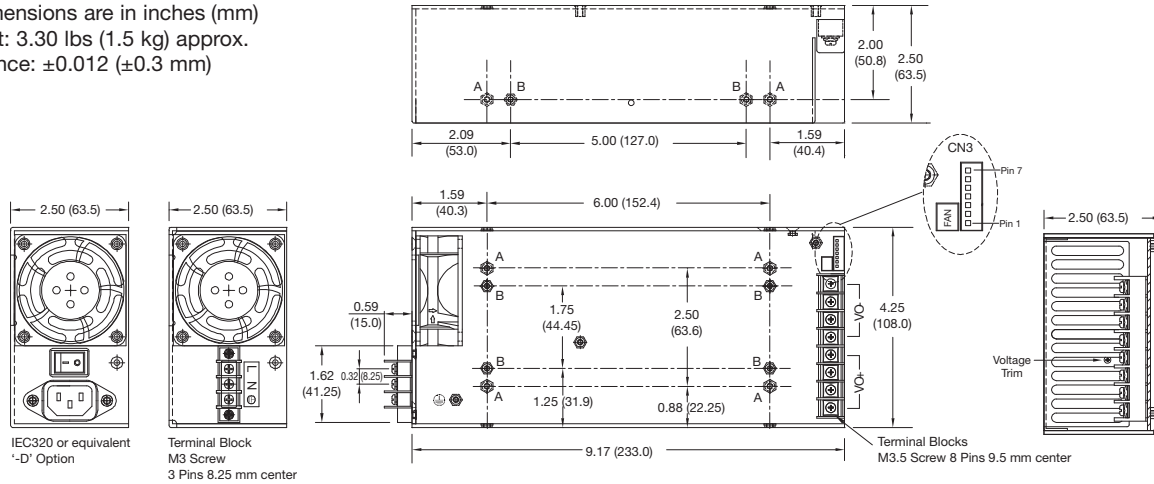
1. SMD units require 30 CFM forced air cooling.



Mechanical Details

SMC with integral fan

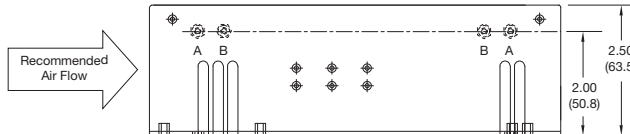
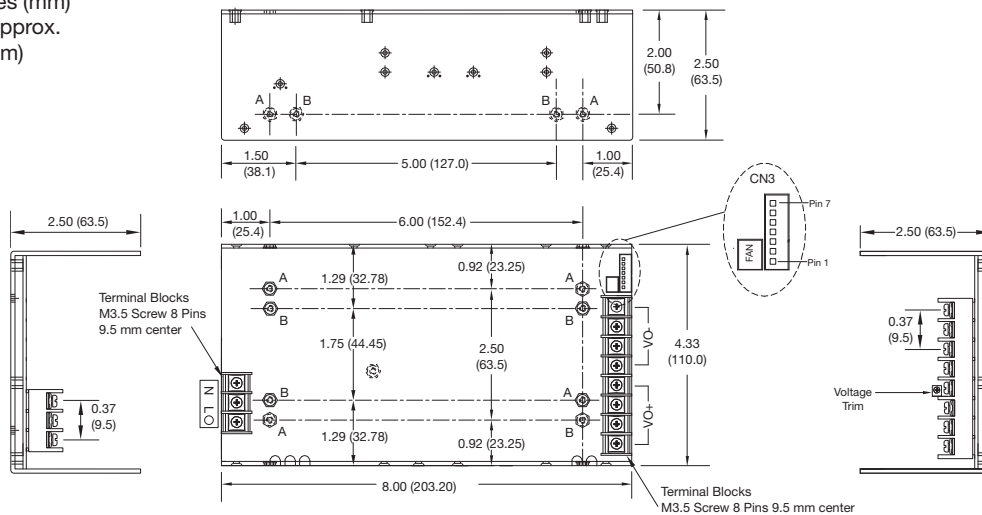
All dimensions are in inches (mm)  
 Weight: 3.30 lbs (1.5 kg) approx.  
 Tolerance: ±0.012 (±0.3 mm)



CN3 (Signals)	
Pin	Function
1	Current monitor
2	Current share <sup>(3)</sup>
3	Return
4	Power good
5	Remote On/Off
6	-Remote sense
7	+Remote sense

SMD U-Channel

All dimensions are in inches (mm)  
 Weight: 3.09 lbs (1.4 kg) approx.  
 Tolerance: ±0.012 (±0.3 mm)

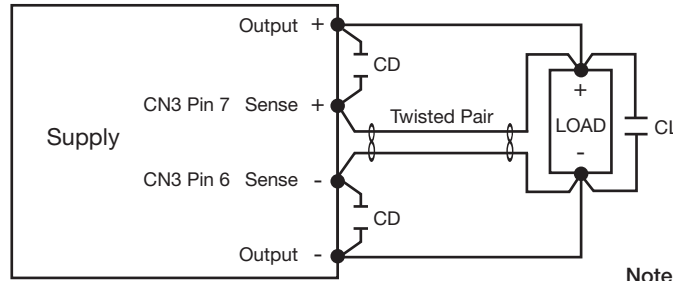


CN3 (Signals)	
Pin	Function
1	Current monitor
2	Current share <sup>(3)</sup>
3	Return
4	Power good
5	Remote On/Off
6	-Remote sense
7	+Remote sense

Notes

1. Logic connector CN3 mates with JST XHP-7 or equivalent and JST SXH-002T-P0.6 crimp terminals.
2. Fan connector mates with JST XHP-2 or equivalent and JST SXH-002T-P0.6 crimp terminals. Output is 12 VDC/160 mA
3. Current share not available with constant current models.
4. Maximum mounting screw penetration: 0.2 (5.00) on bottom side and 0.25 (6.30) on both sides.
5. Maximum screw terminal torque: Input: 7 lbin (0.8 Nm), Output: 15.7 lbin (1.8 Nm)

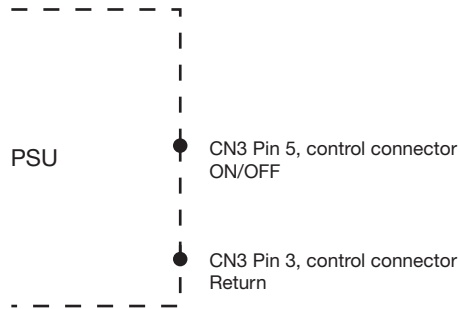
Remote Sense



Note:

1. CL is 47  $\mu$ F electrolytic capacitor.
2. CD is 0.1  $\mu$ F ceramic capacitor.

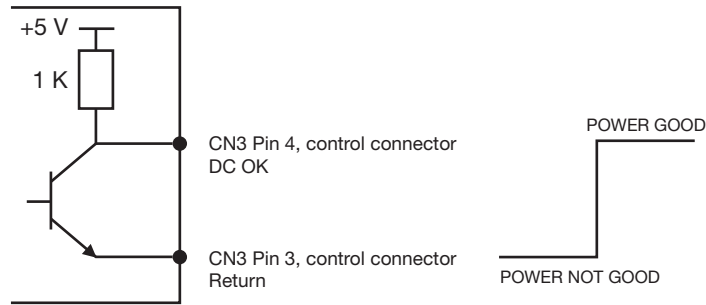
Remote On/Off



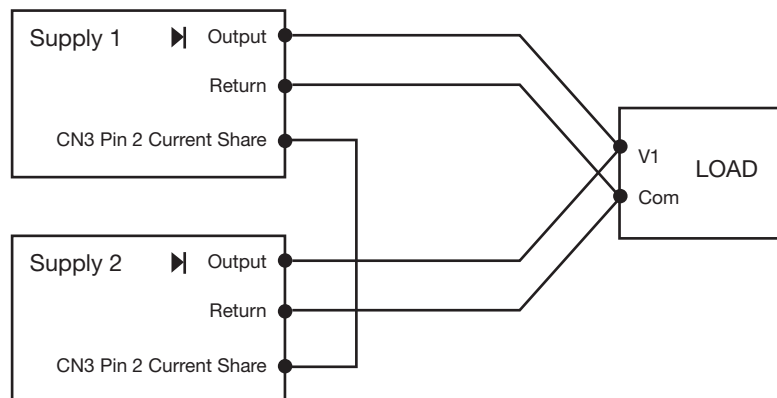
Note:

1. Applying <math><0.3\text{ V}</math> or short between pins 5 and 3 turns the output OFF.
2. Applying >math>>4.5\text{ V}</math> or open circuit between pins 5 and 3 turns output ON.

Power Good



Parallel Connection with Current Share Option



## X-ON Electronics

Largest Supplier of Electrical and Electronic Components

*Click to view similar products for [Switching Power Supplies](#) category:*

*Click to view products by [XP Power](#) manufacturer:*

Other Similar products are found below :

[70841011](#) [73-551-0005](#) [73-551-0048](#) [PS3E-B12F](#) [PS3E-E12F](#) [AAD600S-4-OP](#) [R22095](#) [KD0204](#) [9021](#) [LDIN100150](#) [LPM000-BBAR-01](#)  
[LPX17S-C](#) [EVS57-10R6/R](#) [FP80](#) [FRV7000G](#) [22929](#) [PS3E-F12F](#) [CQM1IA121](#) [40370121900](#) [VI-PU22-EXX](#) [40370121910](#) [LDIN5075](#)  
[LPM615-CHAS](#) [LPX140-C](#) [09-160CFG](#) [70841025](#) [VPX3000-CBL-DC](#) [VI-LUL-IU](#) [LPM000-BBAR-05](#) [LPM000-BBAR-08](#) [LPM124-](#)  
[OUTA1-48](#) [LPM000-BBAR-07](#) [LPM109-OUTA1-10](#) [LPM616-CHAS](#) [08-30466-1055G](#) [08-30466-2175G](#) [08-30466-2125G](#) [DMB-EWG](#)  
[TVQF-1219-18S](#) [6504-226-2101](#) [CQM1IPS01](#) [SP-300-5](#) [CQM1-IPS02](#) [VI-MUL-ES](#) [22829](#) [08-30466-0065G](#) [VI-RU031-EWWX](#) [08-30466-](#)  
[0028G](#) [EP3000AC48INZ](#) [VP-C2104853](#)