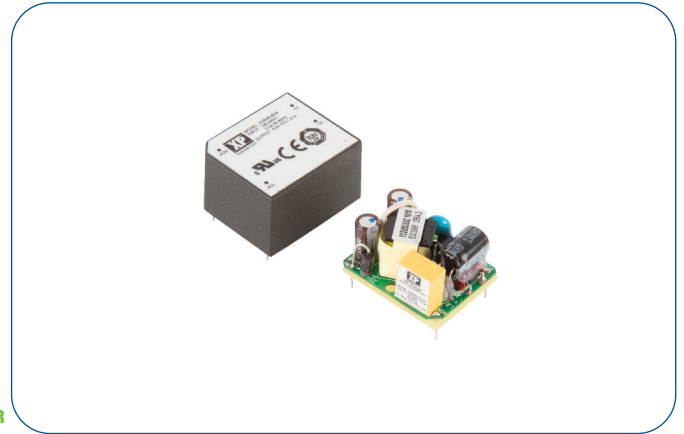


### 5 Watts

- Compact Size
- Single Outputs from 3.3 to 48 V
- PCB Mount
- Encapsulated & Open Frame
- Class II
- <0.3 W No Load Input Power
- Peak Load Capability
- Low Cost
- 3 Year Warranty



#### Dimensions:

##### VCE05:

1.30 x 1.10 x 0.75" (33.02 x 27.94 x 19.05 mm)

##### VCE05-P:

1.20 x 1.00 x 0.705" (30.8 x 25.4 x 17.9 mm)

The VCE05 is a series of open frame and encapsulated AC-DC single output power supplies designed for low cost ITE and Industrial applications. The series provides two mechanical options including open frame and encapsulated PCB mount. With approvals to world-wide safety standards, compliance with class B for conducted and radiated emissions and a 130%, 30s peak load capability, these class II isolation parts benefit system designers with easy integration into a wide range of applications.

### Models & Ratings

Output Power	Output Voltage	Output Current		Model Number <sup>(2)</sup>
		Nominal	Peak <sup>(1)</sup>	
5 W	3.3 VDC	1210 mA	1960 mA	VCE05US03
5 W	5.0 VDC	1000 mA	1300 mA	VCE05US05
5 W	9.0 VDC	550 mA	722 mA	VCE05US09
5 W	12.0 VDC	410 mA	541 mA	VCE05US12
5 W	15.0 VDC	330 mA	433 mA	VCE05US15
5 W	24.0 VDC	210 mA	270 mA	VCE05US24
5 W	48.0 VDC	100 mA	135 mA	VCE05US48

### Notes

1. Peak load lasting <30 s with a maximum duty cycle of 10%, average output power not to exceed nominal.
2. For Open Frame version add suffix -P to model number, e.g. VCE05US12-P.

### Summary

Characteristic	Minimum	Typical	Maximum	Units	Notes & Conditions
Input Voltage Range	85		264	VAC	Derate from 100% at 90 VAC to 90% at 85 VAC
No Load Input Power			0.3	W	
Efficiency		78		%	Model dependant
Operating Temperature	-25		+70	°C	Derate linearly from 100% at +50 °C to 50% at +70 °C
EMC	EN55022 Level B Conducted & Radiated, EN61000-3-2, EN61000-3-3, EN60601-1-2				
Safety Approvals	EN60950, UL60950, IEC60950				

### Input

Characteristic	Minimum	Typical	Maximum	Units	Notes & Conditions
Input Voltage Range	85		264	VAC	
Input Frequency	47		63	Hz	
Input Current - Full Load		0.10/0.06		A rms	At 115/230 VAC
No Load Input Power			0.3	W	
Inrush Current			40	A	At 230 VAC
Earth Leakage Current					Class II construction no earth
Input Protection	Internal T1.0 A/250 VAC fuse fitted in line				

### Output

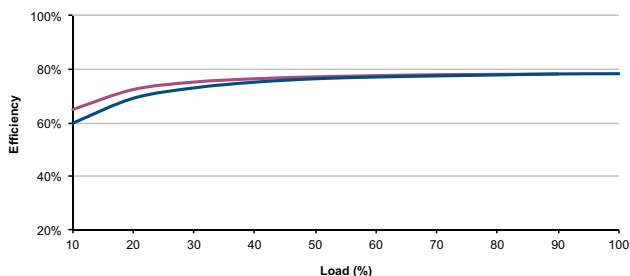
Characteristic	Minimum	Typical	Maximum	Units	Notes & Conditions
Output Voltage	3.3		48	VDC	
Initial Set Accuracy			3/2	%	3% for 03 & 05 models, 2% for others at 50% load
Minimum Load	0			A	No minimum load required
Line Regulation			±1.0	%	
Load Regulation			3/2	%	3% for 03 & 05 models, 2% for others from 10% to 100% load
Start Up Delay			2	s	
Start Up Rise Time			14	ms	
Hold Up Time	6	9		ms	at full load and 115 VAC
Transient Response			4	%	Deviation, recovery within 1% in less than 500 µs for a 25% load change
Ripple & Noise			180	mV pk-pk	3.3-5V, 20 MHz bandwidth
			1	% pk-pk	9V to 48V models, 20 MHz bandwidth
Overvoltage Protection	115		140	% Vnom	Recycle input to reset
Overload Protection	110		180	%	
Short Circuit Protection					Trip & Restart (hiccup mode)
Temperature Coefficient			0.05	%/°C	

### General

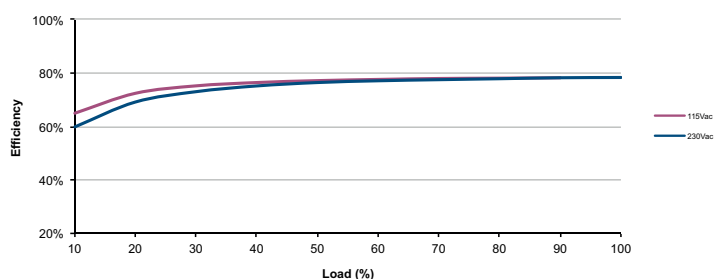
Characteristic	Minimum	Typical	Maximum	Units	Notes & Conditions
Efficiency		78		%	Model Dependant
Isolation: Input to Output	3000			VAC	
Switching Frequency		40		kHz	
Power Density			5.9	W/in <sup>3</sup>	
Mean Time Between Failure		>400		kHrs	MIL-HDBK-217F, +25 °C GB
Weight		0.03 (14)		lb (g)	Open frame versions (-P)
		0.053 (24)		lb (g)	Encapsulated version

### Efficiency Graphs

VCE05US12



VCE05US24



### Environmental

Characteristic	Minimum	Typical	Maximum	Units	Notes & Conditions
Operating Temperature	-25		+70	°C	Derate linearly from 100% at +50 °C to 50% at +70 °C
Storage Temperature	-40		+85	°C	
Cooling					Convection-cooled
Humidity			95	%RH	Non-condensing
Operating Altitude			3048	m	
Shock	IEC68-2-27, 30 g, 11 ms half sine, 3 times in each of 6 axes				
Vibration	IEC68-2-6, 2 g, 10 Hz to 500 kHz, 10 mins/cycle, 60 mins each cycle				

### EMC: Emissions

Phenomenon	Standard	Test Level	Criteria	Notes & Conditions
Conducted	EN55022	Class B		
Radiated	EN55022	Class B		
Harmonic Current	EN61000-3-2			Class A
Voltage Flicker	EN61000-3-3			

### EMC: Immunity

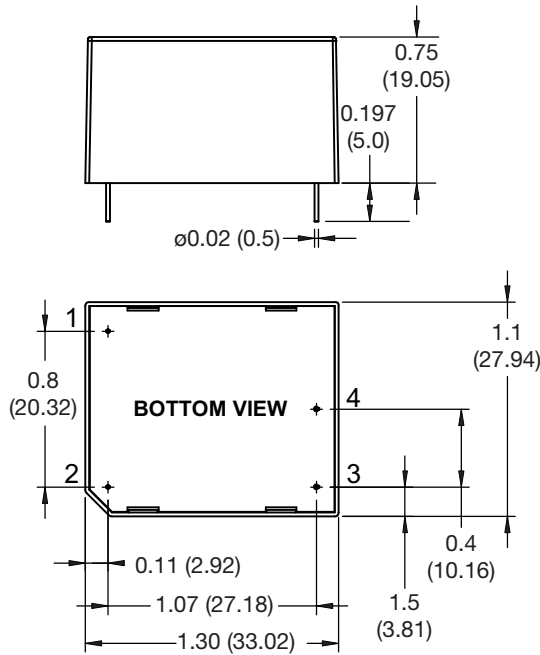
Phenomenon	Standard	Test Level	Criteria	Notes & Conditions
ESD	EN61000-4-2	±6kV contact, ±8kV air discharge	A	
Radiated	EN61000-4-3	10 V/m	A	
EFT	EN61000-4-4	3	A	
Surge	EN61000-4-5	2	A	Line to Line
Conducted	EN61000-4-6	10 Vrms	A	
Magnetic Fields	EN61000-4-8	30 A/m	A	
Dips and Interruptions	EN61000-4-11 (115 VAC)	70% U <sub>r</sub> (80.5 VAC) for 100 ms	A	A at High Line, B at Low Line
		40% U <sub>r</sub> (46 VAC) for 200 ms	B	
		<5% U <sub>r</sub> (0 VAC) for 10 ms	A	
		<5% U <sub>r</sub> (0 VAC) for 5000 ms	B	
	EN61000-4-11 (230 VAC)	70% U <sub>r</sub> (161 VAC) for 100 ms	A	A at High Line, B at Low Line
		40% U <sub>r</sub> (92 VAC) for 200 ms	A	
		<5% U <sub>r</sub> (0 VAC) for 10 ms	A	
		<5% U <sub>r</sub> (0 VAC) for 5000 ms	B	

### Safety Approvals

Safety Agency	Safety Standard	Notes & Conditions
CB Report	IEC60950	
UL	UL60950-1 & CSA C22.2, No.60950-1:08	
TUV	EN60950-1	

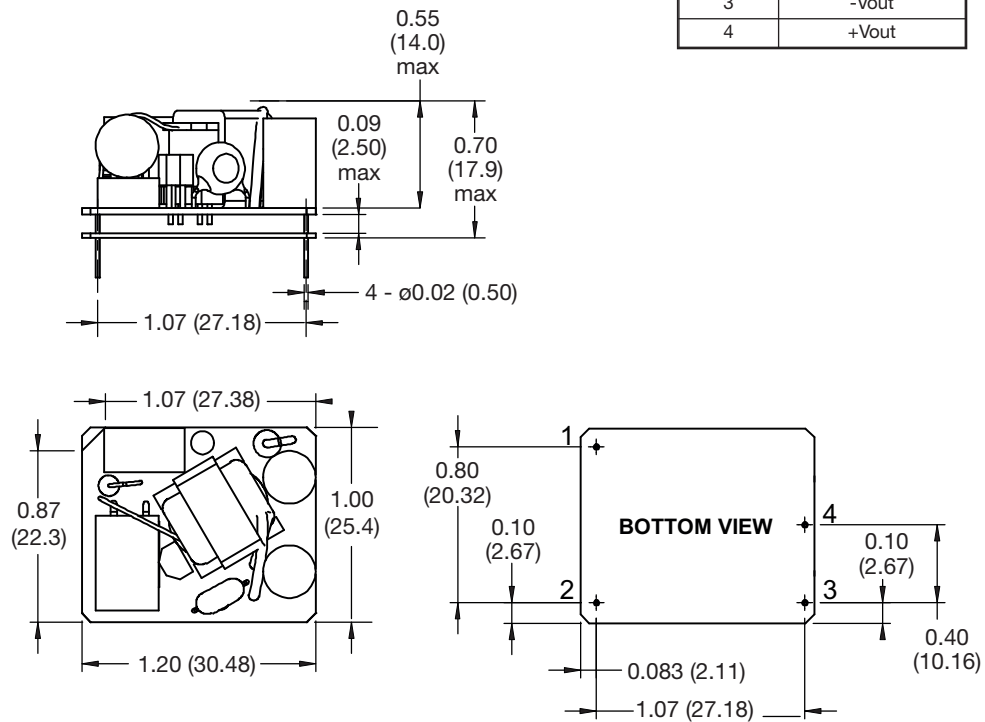
### Mechanical Details

#### Encapsulated



Pin Connections	
Pin	Single
1	ACN
2	ACL
3	-Vout
4	+Vout

#### Open Frame (-P)



#### Notes

1. Dimensions in inches (mm).
2. Weight: Open frame versions (-P): 0.03 lbs (14 g)  
Encapsulated: 0.053 lbs (24 g)

3. Tolerances: x.xx = ± 0.02 (x.x = ± 0.5)  
x.xxx = ± 0.01 (x.xx = ± 0.25)

## X-ON Electronics

Largest Supplier of Electrical and Electronic Components

*Click to view similar products for [XP Power](#) manufacturer:*

Other Similar products are found below :

[JCL3048S12](#) [E70](#) [IMA0105S3V3](#) [JCD0605S05](#) [DLE45PS36](#) [ASB110PS28](#) [ECP40UT02](#) [EML15US24-E](#) [IE0505SH](#) [ISW0505A](#)  
[ITQ4824SA](#) [ITV2405SA](#) [IU1212SA](#) [JCD0412D05](#) [JCK1524D05](#) [SDS60UQ05](#) [SMH600PD1224-EF](#) [GCS350PS15](#) [MHP1000PS24](#)  
[ISE0315A](#) [JCA0305S15](#) [JCD0424S15](#) [JCG1212S05](#) [JCK6048S12](#) [VEL05US090-US-JA](#) [DLG75PS36](#) [JTL6048S12](#) [JTK3024S15](#)  
[JTC0648D03](#) [JPS130PT32-M](#) [ACS40-60](#) [LOOM](#) [ACS60US12](#) [JCP4024T0515](#) [JCK3048S05](#) [JCG1512D15](#) [RCQ50110S15](#) [CU20 COVER](#)  
[IEQ0524S3V3](#) [IEQ0548D15](#) [VEL24US240-US-JA](#) [EMH350PS48](#) [ECL15US12-E](#) [MTC3528S12](#) [TR05S15](#) [ECM100US07](#) [A12N-5](#)  
[GCS150/180 CVR KIT](#) [C40N](#) [C06N](#) [JCD0612D12](#)