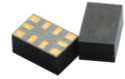


Features

- Ultra Stable
- Wide Temperature Range
- SMD Package (5.0x3.2mm)

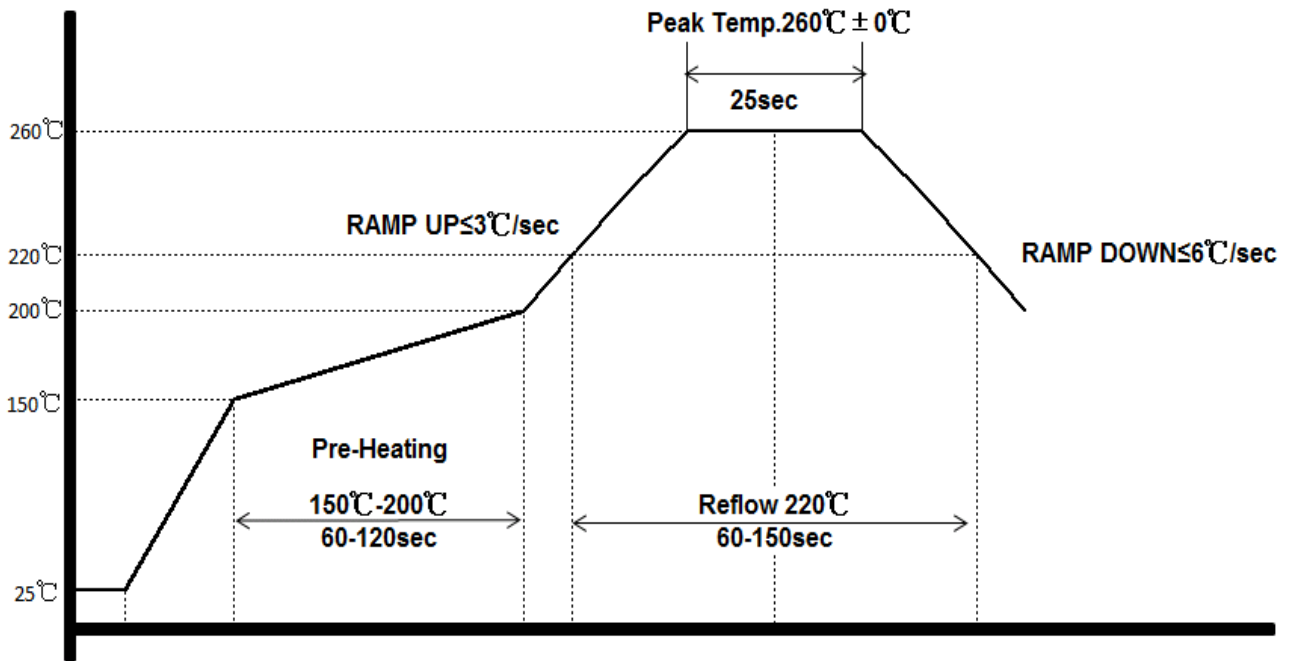
Applications

- Base Stations
- Instrumentations
- Synthesizer
- SDH/SONET
- Medical Electronics

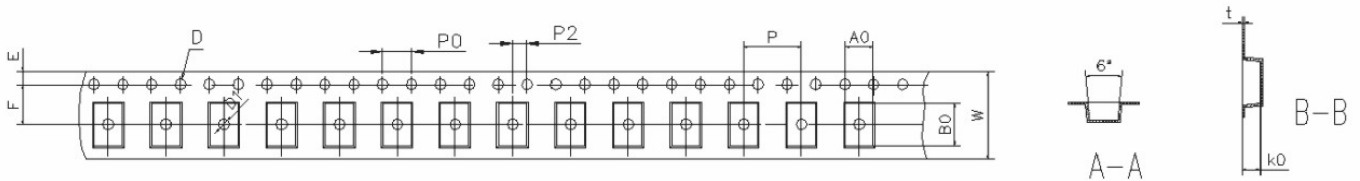

BT0503 Specifications

Parameter	Value			Unit	Conditions	
	Min.	Typ.	Max.			
Supply Voltage	-	3.3	-	V		
	-	5	-	V		
Supply Current	3	-	6	mA		
Frequency Range	10 ~ 52			MHz		
Nominal Frequency	10, 12.8, 16.384, 19.2, 20, 24.576, 25, 26, 30.72, 40, 50			MHz		
Initial Frequency Tolerance	±0.05	-	±0.5	ppm	At shipment, nominal EFC, +25°C	
Freq. Stability Vs. Temp.	±0.05	-	±0.5	ppm	-20°C ~ +70°C	
	±0.1	-	±0.5	ppm	-40°C ~ +85°C	
	±0.2	-	±1.0	ppm	-50°C ~ +90°C	
	±0.5	-	±1.0	ppm	-55°C ~ +95°C	
Clipped Sine Wave	Output Level	0.8	-	Vp-p		
	Load	10kΩ//10pF				
LVCMOS	V _{OH}	2.4	-	V	LVCMOS Output, Load=15pf	
	V _{OL}	-	-	0.4	V	LVCMOS Output, Load=15pf
	Duty Cycle	45	-	55	%	(V _{OH} - V _{OL})/2
	Rise/Fall Edge	-	-	6	ns	LVCMOS Output, Load=15pf
	Load	-	-	15	pf	
RMS Jitter(By E5052B)	-	-	1.3	ps	12KHz~5MHz	
Supply Sensitivity	-	-	±0.1	ppm	V _{cc} ±5%	
Load Sensitivity	-	-	±0.2		Load±5%	
Aging/ First Year	-	-	±1.0		Standard	
	±0.3	-	±0.8	Customized		
SSB Phase Noise @10MHz	-	-	-95	dBc/Hz	Offset 10Hz	
	-	-	-120		Offset 100Hz	
	-	-	-140		Offset 1kHz	
	-	-	-145		Offset 10kHz	
	-	-	-150		Offset 100kHz	
Control Voltage Range	1.5 ± 1.0			V		
Frequency Turning Range	±5	-	±12	ppm		
Tuning Slope	Positive					
Non-linearity	-	-	10	%		

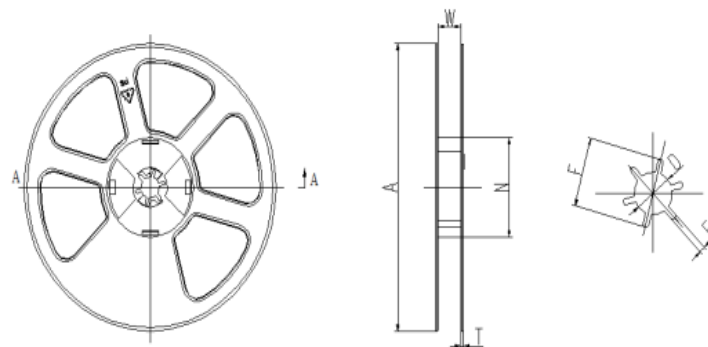
IR Reflow Profile



Tape & Reel



ITEM	W	A0	B0	K0	P	F	E	D	D1	P0	P2	t	7"
DIM	16.0	3.7	5.6	2.0	8.00	7.50	1.75	1.50	1.50	4.00	2.00	0.3	L/R QTY/PCS
TOLE	+0.30 -0.30	+0.15 -0.15	+0.15 -0.15	+0.15 -0.15	+0.10 -0.10	+0.10 -0.10	+0.10 -0.10	+0.10 -0.00	+0.10 -0.00	+0.10 -0.10	+0.10 -0.10	+0.05 -0.05	4M 500PCS



Item	W	A	N	T	E	F	D
Size	16.4	178	62	1.8	2	21.8	13.5
TOL	± 0.3	± 0.5	± 0.4	± 0.2	± 0.5	± 0.8	± 0.3

Ordering Guide

BT 0503 X X X XXX X X XX.XX

Product:
TCXO

Outline:
5.0mm x 3.2mm

Output:
H:LVC MOS
C:Clipped Sine

Supply Voltage:
3: 3.3 Vdc
5: 5.0 Vdc

Temp. Range:
C: -20°C ~ +70°C
I: -40°C ~ +85°C
M: -50°C ~ +90°C
U: -55°C ~ +95°C
F: Customized

Frequency:
xx MHz

Tuning Range:
N:No Tuning
A: ±5ppm
B: ±7ppm
C: ±10ppm

Phase Noise:
A: -120dBc/Hz@1kHz
B: -125dBc/Hz@1kHz
C: -130dBc/Hz@1kHz
D: -135dBc/Hz@1kHz
E: -140dBc/Hz@1kHz

Temp. Stability:
507: ±0.5ppm
287: ±0.28ppm
207: ±0.2ppm
107: ±0.1ppm
508: ±0.05ppm

Example: BT0503H3C107DN12.8

Disclaimer

Xtaltq Technologies Co., Limited reserves the right to make changes to the product(s) and/or information contained herein without notice. No liability is assumed as a result of their use or application. No rights under any patent accompany the sale of any such product(s) or information.

X-ON Electronics

Largest Supplier of Electrical and Electronic Components

Click to view similar products for [Standard Clock Oscillators](#) category:

Click to view products by [XTALTQ](#) manufacturer:

Other Similar products are found below :

[EP1400SJTSC-125.000M](#) [601137](#) [601252](#) [CSX750FBC-24.000M-UT](#) [CSX750FBC-33.333M-UT](#) [CSX750FCC-3.6864M-UT](#) [F335-12](#) [F335-25](#) [F535L-50](#) [DSC506-03FM2](#) [ASA-20.000MHZ-L-T](#) [ASA-25.000MHZ-L-T](#) [ASA-27.000MHZ-L-T](#) [ASV-20.000MHZ-LR-T](#) [ECS-2018-160-BN-TR](#) [EL13C7-H2F-125.00M](#) [MXO45HS-2C-66.6666MHZ](#) [NBXDBB017LN1TAG](#) [NBXHBA019LN1TAG](#) [SiT1602BI-22-33E-50.000000E](#) [SIT8003AC-11-33S-2.04800X](#) [SiT8256AC-23-33E-156.250000X](#) [SIT8918AA-11-33S-50.000000G](#) [SM4420TEV-40.0M-T1K](#) [SMA4306-TL-H](#) [F335-24](#) [F335-40](#) [F335-50](#) [F535L-10](#) [F535L-12](#) [F535L-16](#) [F535L-24](#) [F535L-27](#) [F535L-48](#) [PE7744DW-100.0M](#) [CSX750FBC-20.000M-UT](#) [CSX-750FBC33333000T](#) [CSX750FBC-4.000M-UT](#) [CSX750FBC-7.3728M-UT](#) [CSX750FBC-8.000M-UT](#) [CSX-750FCC14745600T](#) [CSX750FCC-16.000M-UT](#) [CSX-750FCC40000000T](#) [CSX750FCC-4.000M-UT](#) [ASA-22.000MHZ-L-T](#) [ASA2-26.000MHZ-L-T](#) [ASA-40.000MHZ-L-T](#) [ASA-48.000MHZ-L-T](#) [ASA-60.000MHZ-L-T](#) [ASF1-3.686MHZ-N-K-S](#)