

## **CREE XM-L2 U3 LED**

Maximum Output 1000Lm,  
50000h Lifespan.



## 5 Modes

**Five selectable brightness levels.**

1. Press button for 1.2s to choose 1000/400/200/70Lm modes
2. Quick double-click to get 1Lm Moonlight mode.



# Lighting Modes

## Much Longer Runtime.

Compatible with one 18650/18700 rechargeable Li-ion batteries.

With one XTAR 18650 3100mAh battery, it can last:



Moon light mode 1Lm  
Runtime 30D



Low 70Lm  
Runtime 28h



Mid 200Lm  
Runtime 10h



High 400Lm  
Runtime 4.5h



Turbo 1000Lm  
Runtime 2.9h





## Shell Material

Sturdy and durable.

Anodized aircraft 6N01 aluminum alloy,  
Premium HAIII military grade hard-anodized and anti-abrasive coating.

## Glass Lens

Ultra-clear Tempered Glass Lens with Anti-reflective Coating.

Common Glass: 89-92% Transmittance.

98.5  
%

Transmittance



## Waterproof Level

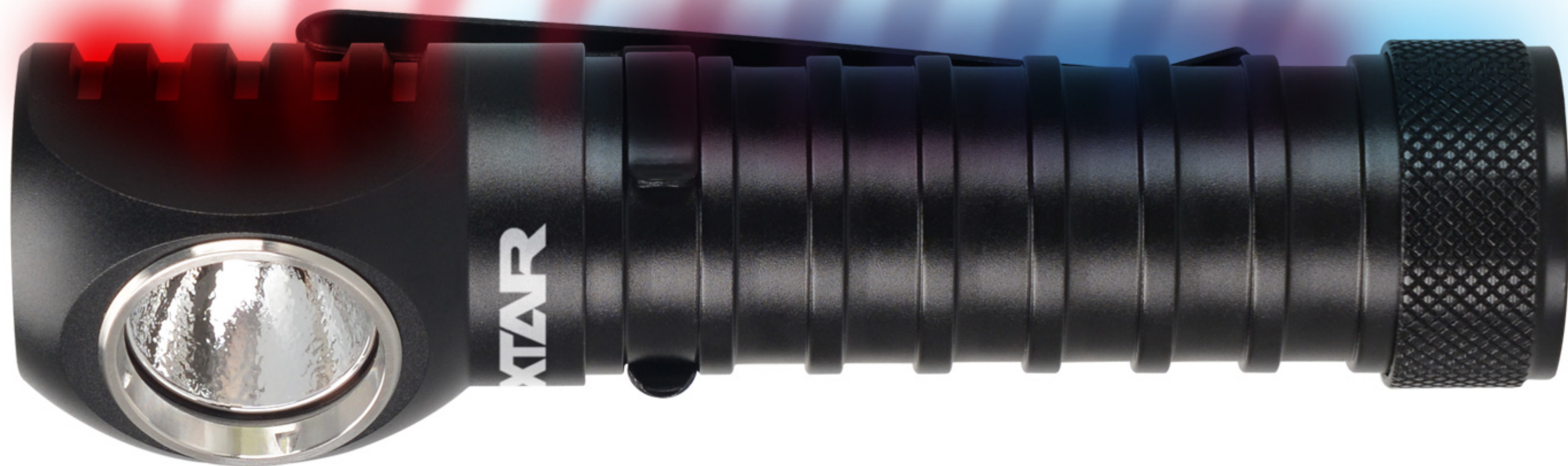
Waterproof IPX8  
(Underwater 2m)



## Light Intensity

Max Intensity 6200cd Beam distance 157m



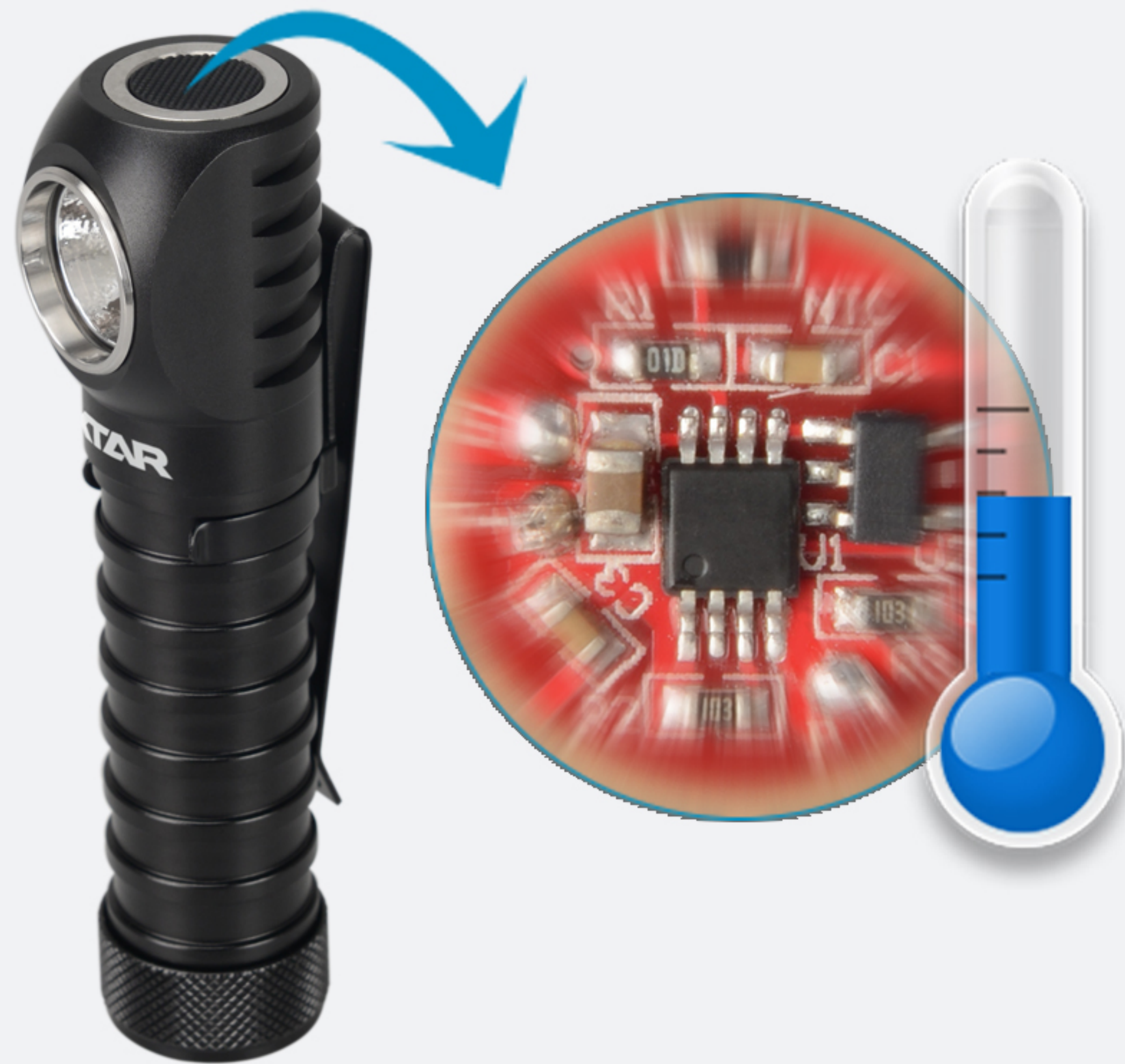


## Low Heat Design

Excellent heat dissipation design.

Intelligent temperature control system and over-temperature protection to make sure your safety and easy operation.





## Temperature Control Technology

H3W maximizes the runtime of Turbo mode to 2.9hr(3100mAh) and **battery efficiency.**

Intelligently senses operating temperature and makes the adjustment.

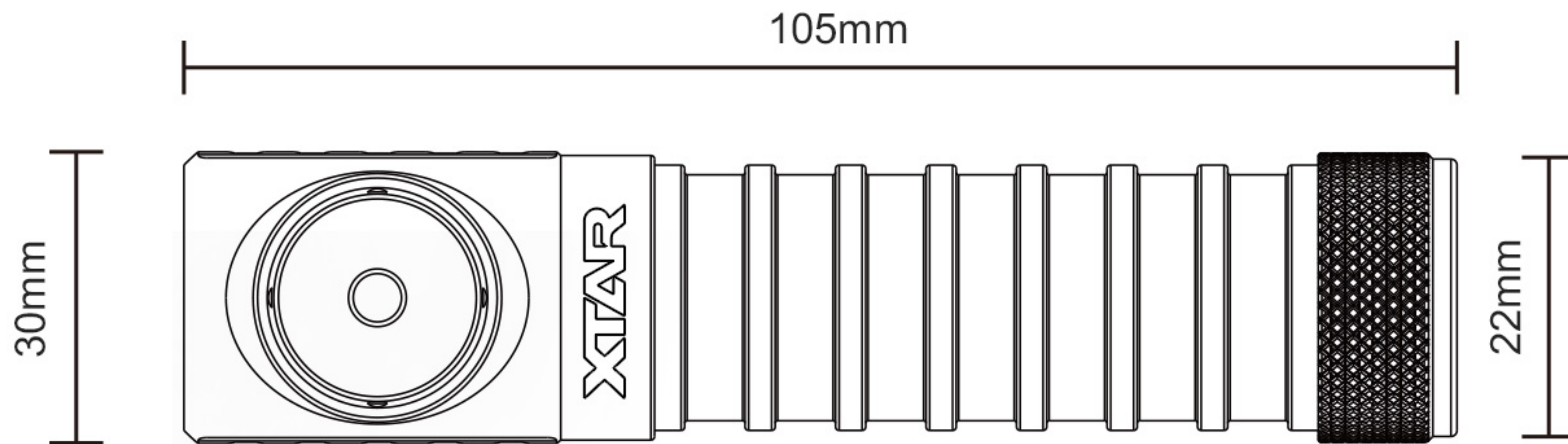


## Dual Springs Design

Gold-plated spring prevent oxidation and Poor contact.

+Reverse Polarity Protection.





## Size and Net Weight

Net Weight: 50g (Battery excluded).

Compact design and light weight.

# H3 Specification

ANSI	Gear				
	Turbo	High	Mid	Low	Moonlight
Luminance	1000 Lm	400 Lm	200 Lm	70 Lm	1 Lm
Run Time (XTAR 18650 3100mAh Battery)	2.9 H	4.5 H	10 H	28 H	30 D
Beam Throw Distance	157 Meters				
Max Intensity	6200 cd				
Impact Resistance	1.5 Meters				
Water Resistance	IPX8				
LED	CREE XM-L2 U3				
Battery	1*18650/18700 Lithium ion Battery				
Net Weight	50g (Battery and Head Strap Excluded )				
Package contents	●Headlamp ●Head Strap ●Clip ●Spare O-ring ● Manual ●Warranty Card				
Optional Accessories	□Charger □ Battery				

## Packaging Contents

Headlamp, Head Strap, Clip, Spare O-ring,  
Manual, Warranty Card.



## X-ON Electronics

Largest Supplier of Electrical and Electronic Components

*Click to view similar products for [Other Tools](#) category:*

*Click to view products by [Xtar](#) manufacturer:*

Other Similar products are found below :

[CR-05FL7--150R](#) [CR-05FL7--698K](#) [899-2-KT46](#) [899-5-KT46](#) [CR-0AFL4--332K](#) [CR-12FP4--260R](#) [CRCW04021100FRT7](#)  
[CRCW04021961FRT7](#) [5800-0090](#) [CRCW04024021FRT7](#) [CRCW040254R9FRT7](#) [CRCW0603102JRT5](#) [59065-5](#) [00-8273-RDPP](#) [00-8729-](#)  
[WHPP](#) [593033](#) [593058](#) [593072](#) [593564100](#) [593575](#) [593591](#) [593593](#) [011349-000](#) [LTLA506SBLAMNBL](#) [CRCW08052740FRT1](#) [LUC-](#)  
[012S070DSM](#) [LUC-018S070DSP](#) [599-2021-3-NME](#) [599-JJ-2021-03](#) [00-5080-YWPP](#) [5E4750/01-20R0-T/R](#) [LW1A-L1-GL](#) [LW1A-P1-GD](#)  
[LW1L-A1C10V-GL](#) [LW1L-M1C70-A](#) [0202-0173](#) [00-9089-RDPP](#) [00-9300-RDPP](#) [CRCW2010331JR02](#) [01-1003W-8/32-10](#) [601-GP-08-](#)  
[KT39](#) [601-JJ-06](#) [601-SPB](#) [601YSY](#) [602-JJ-03](#) [602SPB](#) [602Z](#) [603-JJ-07-FP](#) [603-JJY-04](#) [604J](#)