



产品规格书 Specification

1. 适用范围 (Available range):

本插片熔断器适用汽车电器、电子设备的短路或过载保护等。

For protecting auto appliances, short circuit of electrical equipment or over loading protectin etc.

2. 相关标准 (Standard):

本产品适用的相关标准是：QC/T420-2004

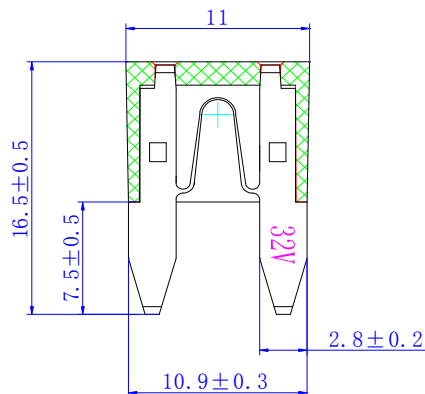
Safety Standards: QC/T420-2004

3. 原材料 (Material):

部 件 Part Name	材 料 material
绝缘体 Insulator	耐高温塑料 Heat-resistant plastic
熔断体 Melting wire	锌合金 Zinc alloy

4. 尺寸与结构 (Size and Structure):

4.1 尺寸见附图纸 (sizes):





4.2 绝缘体 (Insulator):

绝缘体本体无杂色、破裂、缺损等现象，半透明可辨其内部的熔断体。并且与熔断体结合牢固可靠，保证在产品未被损坏时，任一部件不能被卸脱。

The insulator shall have no defects such as mottle, crack, injury etc. Also it should be translucence in which the melting wire is clear and perceptible.

5. 电气特性 (Electrical performance):

5.1 测试条件 (Testing conditions.):

全部的测试都应在 $23 \pm 5^\circ\text{C}$ 环境温度下进行。

All the tests should be conduct under the temperature of $23 \pm 5^\circ\text{C}$.

5.2 时间/电流特性 (Time-current characteristic):

额定电流 Rated current (A)	工作电压 Working voltage (V)	熔断特性 (熔断时间) (Blow time)				
		1.1In	1.35In	2In	3.5In	6In
1A-15A	32V	4h	0.75S ~ 1800S	0.15S ~ 5S	0.04S ~ 0.5S	0.02S ~ 0.1S
20A-30A	32V	/	/	0.15S ~ 5S	0.04S ~ 0.5S	0.02S ~ 0.1S

5.3 断流容量 (Current volume):

在施加 DC32V 1000A $\pm 5\%$ 的试验电流 (不受影响的短路电流) 后，熔断器应能正常断开。

DC32V 1000A+5% imposed in the test current, which is not affected by short-circuit current; the fuse should be able to break the circuit normally.

熔断器不能出现下列现象:

The following emergence of the phenomenon can not be satisfied

1) 持续电弧;

Continuous electric arc;



2) 由电弧引起的损害，以及从绝缘体中漏出来的残余保险丝所导致的伤害；

The damage caused by the electric arc, and the harm caused by the remnants of fuses from the insulation of disclosure.

3) 标志的字迹模糊；

Signs are vague;

4) 标志色无法识别。

Unable to identify signs color.

熔断器熔断后，最大泄露电流为 0.3mA.

6. 温度测试 (Temperature test):

熔断器通以 100%倍额定电流的条件下进行温度测试，通电 15 分钟后，测量输入输出端子最高温度须符合下表要求。

When a current of 100% rated current is passed through the fuse-link for a period of 1h., after the heat get the balance in two hours, the rising temperature should be 75°C or less than 75°C.

100% rated current conditions for temperature test for 15 minutes, import export terminals maximum temperature should be consistent with the table below.

额定电流 Rated current (A)	1	2	3	4	5	7.5	10	15	20	25	30	35	40	45
温度 TN, °C (Max)	60	60	60	60	60	70	75	100	125	150	170	/	/	/

经过测试后的熔断体，不得出现下列情况：

After testing, the following condition should not be allowed.

1) 绝缘体融化或燃烧；

Insulator melt or burnt.

2) 保险丝和绝缘体融合在一起；

The fuse and the insulator amalgamate together.



3) 输入输出端子和绝缘体之间的结合松动或失效。

The combination between in-out terminal and the insulator become loose or invalidation.

7. 产品标志 (Marking):

7.1 保险丝上的标志应包含额定电流且易于看清。

The marking on the fuse shall include rated current, and should be easily visible.

7.2 每个保险丝标记应包含下列内容:

The symbol for every fuse shall be as prescribed below:

1) 额定电流 (Rated current): 1A-30A

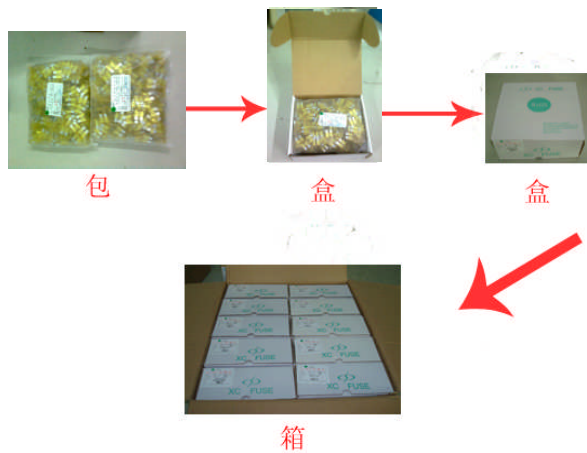
2) 额定电压 (Rated voltage): 32V

8. 客户特别要求。

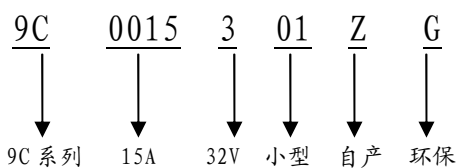
Special requirements of customer.

9. 包装 (500PCS/包、1000PCS/盒、10000PCS/箱) 仅供参考, 以实际数量为准。

Packaging (500PCS/Bag、1000PCS/Box、10000PCS/ External Carton)



10. 料号解释. Part No. description



X-ON Electronics

Largest Supplier of Electrical and Electronic Components

Click to view similar products for [Automotive Fuses](#) category:

Click to view products by [Xucheng](#) manufacturer:

Other Similar products are found below :

[AT-10](#) [ATM-4LP](#) [AFX-50](#) [299080](#) [HBO-70](#) [AT-3](#) [0287015](#) [FMM-15](#) [0297003.WXT](#) [0695025.PXPS](#) [0695015.PXPS](#) [0695060.PXPS](#)
[MRBF-075](#) [MRBF-300](#) [ANT-I-3A](#) [ANE-175A](#) [ACB2-PL-15A](#) [ACB2-PL-25A](#) [FMX-LP-20A](#) [MIDA-50A](#) [LMIN015.ZXPROA](#)
[0695040.PXP](#) [0327030.YX2T](#) [LMIN020.ZXPROA](#) [0298500.UX1M8](#) [0299070.ZXT](#) [20A32V](#) [0200300](#) [02400106P](#) [0297002.WXT](#)
[0297004.WXT](#) [0297010.WXT](#) [0297015.WXT](#) [0297020.WXT](#) [0297025.WXT](#) [0297030.WXT](#) [029707.5WXT](#) [0602925](#) [0602930](#) [0602935](#)
[0602940](#) [0602950](#) [0602960](#) [0611225](#) [0615080](#) [0615100](#) [0615125](#) [0615150](#) [0615200](#) [0615225](#)