

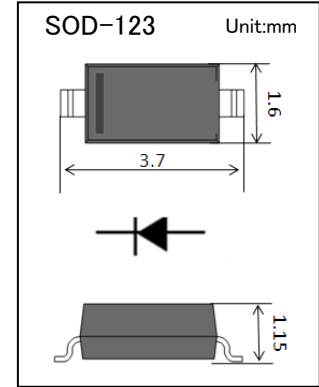


DATA SHEET

1N4148W

- ◇ Low Forward Voltage Schottky Rectifier
- ◇ SOD123 Micro SMD Package
- ◇ RoHS Compliant / Green EMC
- ◇ Matte Tin (Sn) Lead Finish
- ◇ Cathode Band / Device Marking

Device Marking Code	
1N4148W	T4 or T4



Maximum Ratings (Ta = 25 °C)

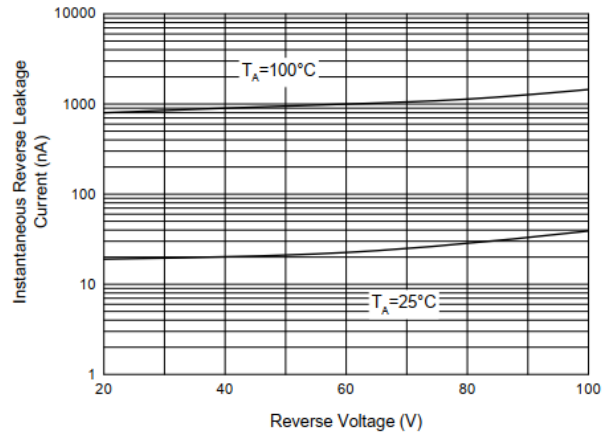
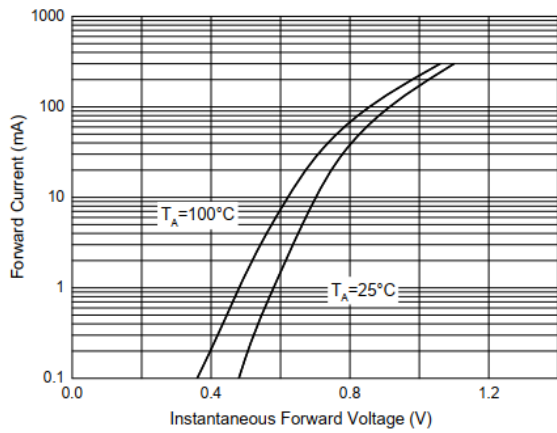
Symbol	Parameter	Value	Units
V_{RM}	Non-Repetitive Peak Reverse Voltage	100	V
V_{RRM}	Repetitive Peak Reverse Voltage	100	V
$V_{R(RMS)}$	RMS Reverse Voltage	75	V
I_{FM}	Forward Continuous Current	300	mA
I_O	Average Rectified Output Current	150	mA
I_{FSM}	Non-Repetitive Peak Forward Surge Current (@t=1.0us)	2.0	A
P_D	Power Dissipation	350	mW
T_J	Junction Temperature	150	°C
T_{STG}	Storage Temperature	-55 to +150	°C

Electrical Characteristics (Ta = 25 °C)

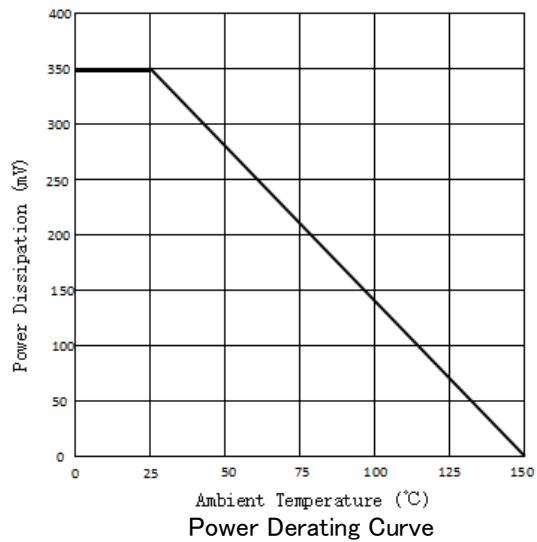
Symbol	Parameter	Conditions	Min	Max	Units
V_F	Forward Voltage	$I_F = 1mA$		0.715	V
		$I_F = 10mA$		0.855	V
		$I_F = 50mA$		1.0	V
		$I_F = 150mA$		1.25	V
I_R	Reverse current	$V_R = 75V$		1	μA
		$V_R = 20V$		25	nA
C_T	Capacitance	$V_R = 0V, f = 1MHz$		2	pF
t_{rr}	Reverse Recovery Time	$I_F = I_R = 10mA,$ $I_{RR} = 1mA, R_L = 100 \Omega$		4	ns



Typical Characteristics



Typical Instantaneous Forward Characteristics Typical Reverse Leakage Characteristics



Power Derating Curve



Ordering Information

Device	Package	Shipping	Tape wide	Emboss pitch	Tape specification	Notes
1N4148W	SOD123	Tape & Reel 3000pcs /7" Reel	8 mm	4 mm	Conductive	

Package Dimensions

Package outline : SOD123

Symbol	Dimensions in mm	
	Min.	Max.
A	1.050	1.250
A1	0.000	0.100
A2	1.050	1.150
b	0.450	0.650
c	0.080	0.150
D	1.500	1.700
E	2.600	2.800
E1	3.550	3.850
L	0.500 REF.	
L1	0.250	0.450
θ	0°	8°

SOD123 Package Outline

Land Pattern Recommendation

Notice:

- 1.Halogen-free,EMC
- 2.Pb free solder
- 3.Lead thickness includes solder plating
- 4.Other Tolerance: ± 0.05
- 5.Dimensions are exclusive of Burrs,Mold Flash and Tie Bar extrusions
- 6.Unit: mm

X-ON Electronics

Largest Supplier of Electrical and Electronic Components

Click to view similar products for [Diodes - General Purpose, Power, Switching category](#):

Click to view products by [XUMAO manufacturer](#):

Other Similar products are found below :

[MMBD3004S-13-F](#) [1N3611](#) [NTE156A](#) [NTE6244](#) [1SS400CST2RA](#) [SDAA13](#) [SHN2D02FUTW1T1G](#) [1N4449](#) [1N456A](#) [1N914BTR](#)
[D291S45T](#) [BAS 16-02L E6327](#) [BAS 16-02V H6327](#) [BAS 21U E6327](#) [BAS 28 E6327](#) [BAW56DWQ-7-F](#) [BAW56M3T5G](#) [BAW75-TAP](#)
[MM230L-CAA](#) [IDW40E65D1](#) [JAN1N3600](#) [JAN1N4454UR-1](#) [SMMSD4148T3G](#) [BYW95B/A52A](#) [NSVDAN222T1G](#) [CDSZC01100-HF](#)
[BAV70HDW-7](#) [BAS28-7](#) [JANTX1N6640](#) [BAW56HDW-13](#) [BAS28 TR](#) [VS-HFA04SD60STR-M3](#) [1SS388-TP](#) [BAV99TQ-13-F](#)
[BAV99HDW-13](#) [1N4004](#) [MMDB30-E28X](#) [LS4148](#) [IDV15E65D2](#) [W0503RH200S0L](#) [M0268SJ200NLF](#) [M0268RJ200NLF](#) [S3MBF](#) [US1J](#)
[DAN217U-TP](#) [SHV-06JNS-Q](#) [IDW30C65D1](#) [IDW80C65D1](#) [VS-HFA30TA60CSR-M3](#) [M1MA152WAT1](#)