
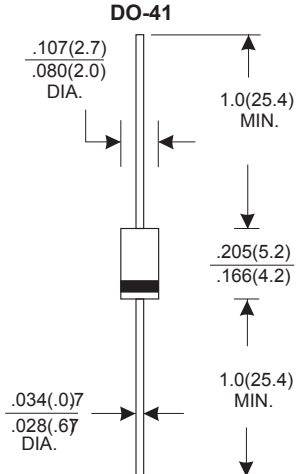




2.0 AMP SCHOTTKY BARRIER RECTIFIERS

|  |   |
|--|---|
|  <p><b>FEATURES</b></p> <ul style="list-style-type: none"> <li>* Low forward voltage drop</li> <li>* High current capability</li> <li>* High reliability</li> <li>* High surge current capability</li> <li>* Epitaxial construction</li> </ul> <p><b>MECHANICAL DATA</b></p> <ul style="list-style-type: none"> <li>* Case: Molded plastic</li> <li>* Epoxy: UL 94V-0 rate flame retardant</li> <li>* Lead: Axial leads, solderable per MIL-STD-202, method 208 guaranteed</li> <li>* Polarity: Color band denotes cathode end</li> <li>* Mounting position: Any</li> <li>* Weight: 0.34 grams</li> </ul> | <p style="text-align: center;"><b>VOLTAGE RANGE</b><br/>20 to 100 Volts</p> <p style="text-align: center;"><b>CURRENT</b><br/>2.0 Ampere</p> <div style="text-align: center;">  <p><b>DO-41</b></p> <p>Dimensions in inches and (millimeters)</p> </div> |
|--|---|

**MAXIMUM RATINGS AND ELECTRICAL CHARACTERISTICS**

Rating 25°C ambient temperature unless otherwise specified.  
Single phase half wave, 60Hz, resistive or inductive load.  
For capacitive load, derate current by 20%.

| TYPE NUMBER  | SR220      | SR230 | SR240 | SR250      | SR260 | SR280 | SR2100 | UNITS      |      |
|--|------------|-------|-------|------------|-------|-------|--------|------------|------|
| Maximum Recurrent Peak Reverse Voltage   | 20         | 30    | 40    | 50         | 60    | 80    | 100    | V          |      |
| Maximum RMS Voltage  | 14         | 21    | 28    | 35         | 42    | 56    | 70     | V          |      |
| Maximum DC Blocking Voltage  | 20         | 30    | 40    | 50         | 60    | 80    | 100    | V          |      |
| Maximum Average Forward Rectified Current  |            |       |       |            |       |       |        |            |      |
| See Fig. 1   |            |       |       |            |       |       |        | 2.0        | A    |
| Peak Forward Surge Current, 8.3 ms single half sine-wave superimposed on rated load (JEDEC method) |            |       |       |            |       |       |        | 50         | A    |
| Maximum Instantaneous Forward Voltage at 2.0A  | 0.55       |       | 0.70  |            | 0.85  |       |        | V          |      |
| Maximum DC Reverse Current<br>Ta=25°C  |            |       |       |            |       |       |        | 2.0        | mA   |
| at Rated DC Blocking Voltage<br>Ta=100°C   |            |       |       |            |       |       |        | 20         | mA   |
| Typical Junction Capacitance (Note1)   |            |       |       |            |       |       |        | 170        | pF   |
| Typical Thermal Resistance RθJA (Note 2)   |            |       |       |            |       |       |        | 35         | °C/W |
| Operating Temperature Range Tj   | -65 — +125 |       |       | -65 — +150 |       |       |        | °C         |      |
| Storage Temperature Range Tstg   |            |       |       |            |       |       |        | -65 — +150 | °C   |

**NOTES:**

1. Measured at 1MHz and applied reverse voltage of 4.0V D.C.
2. Thermal Resistance Junction to Ambient Vertical PC Board Mounting 0.5"(12.7mm) Lead Length.



RATING AND CHARACTERISTIC CURVES (SR220 THRU SR2100)

FIG.1-TYPICAL FORWARD CURRENT DERATING CURVE

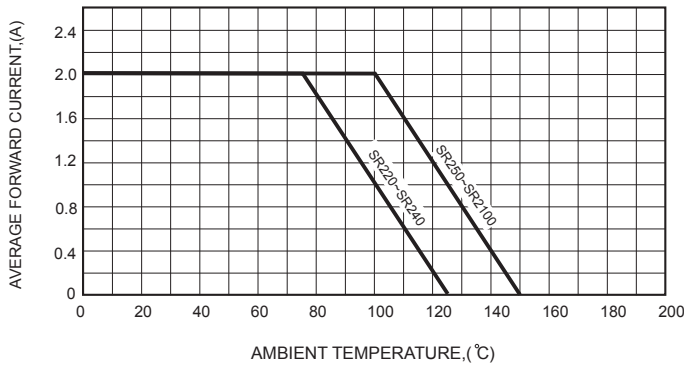


FIG.2-TYPICAL FORWARD CHARACTERISTICS

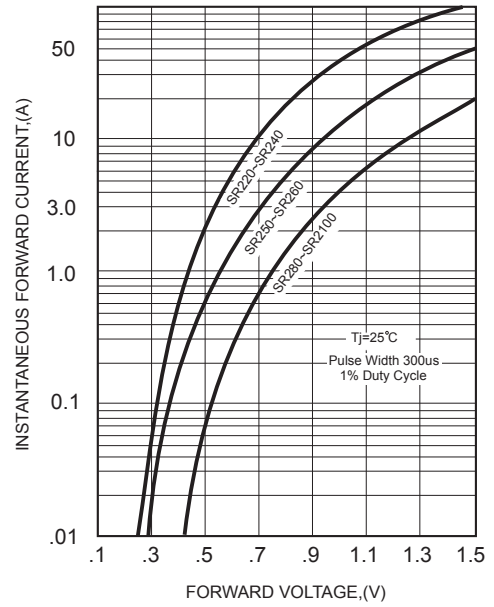


FIG.3-MAXIMUM NON-REPETITIVE FORWARD SURGE CURRENT

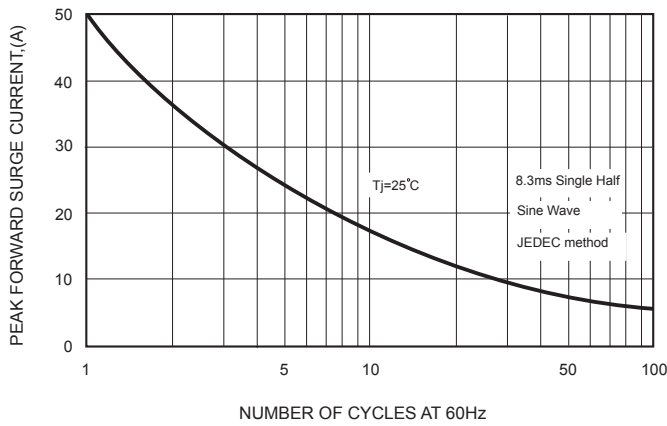


FIG.5 - TYPICAL REVERSE CHARACTERISTICS

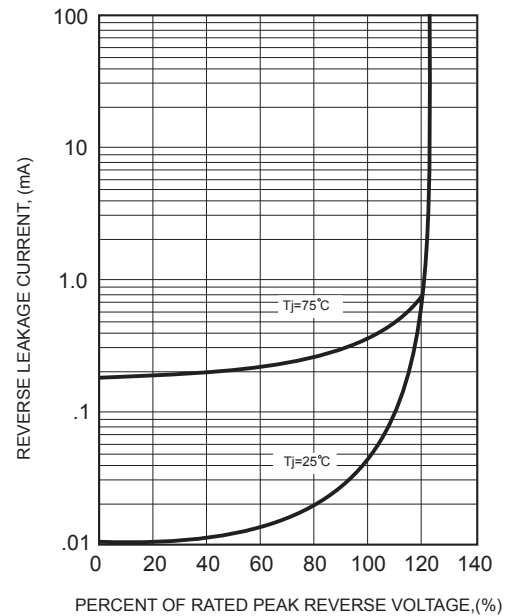
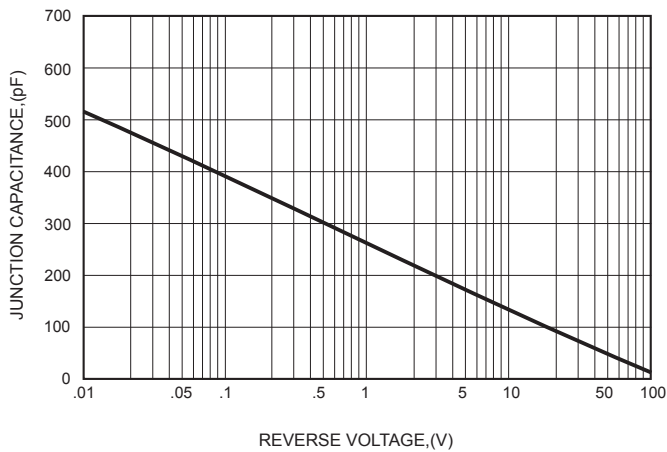


FIG.4-TYPICAL JUNCTION CAPACITANCE



## X-ON Electronics

Largest Supplier of Electrical and Electronic Components

*Click to view similar products for [Schottky Diodes & Rectifiers](#) category:*

*Click to view products by [XUMAO](#) manufacturer:*

Other Similar products are found below :

[MA4E2039](#) [MMBD301M3T5G](#) [HFA35HB60C](#) [RB160M-50TR](#) [D83C](#) [BAS16E6433HTMA1](#) [BAS 3010S-02LRH](#) [E6327](#) [BAT 54-02LRH](#)  
[E6327](#) [NRVBAF360T3G](#) [NSR05F40QNXT5G](#) [NTE555](#) [JANS1N6640](#) [SS3003CH-TL-E](#) [GA01SHT18](#) [CRS10I30A\(TE85L,QM](#)  
[MBRA140TRPBF](#) [MBRB30H30CT-1G](#) [BAT 15-04R](#) [E6152](#) [JANTX1N5712-1](#) [DMJ3940-000](#) [SB007-03C-TB-E](#) [NRVBB20100CTT4G](#)  
[NRVBM120LT1G](#) [NTSB30U100CT-1G](#) [CRG04\(T5L,TEMQ\)](#) [ACDBA1100LR-HF](#) [ACDBA1200-HF](#) [ACDBA240-HF](#) [ACDBA3100-HF](#)  
[CDBQC0530L-HF](#) [ACDBA260LR-HF](#) [ACDBA1100-HF](#) [10BQ015-M3/5BT](#) [NRVBM120ET1G](#) [VSSB410S-M3/5BT](#) [1N5819T-G](#)  
[PDS1040Q-13](#) [B160BQ-13-F](#) [SDM05U20CSP-7](#) [BAS 70-07](#) [E6433](#) [B140S1F-7](#) [HSM560Je3/TR13](#) [DDB2265-000](#) [ZHCS506QTA](#)  
[HSM190Je3/TR13](#) [B330AF-13](#) [ACDBUC0230-HF](#) [SDM1U100S1F-7](#) [MBR10200CTF-G1](#) [CDLL5712](#)