

(For Reference Only)
Stated At Compression

NOTES:

1:MATERIAL

1-1: SUS-301 THICKNE=0.08MM

2:SPECIFICATIONS

2-1: RATED CURRENT: 1.0A

2-2: VOLTAGE RATING: 1.5V

2-3: CONTACT RESISTANCE: 80mΩ/MAX

2-4: WELDING THRUST: ≥3KG

2-5: OPERATING TEMPERATURE: -40°C~+85°C

3:DURABILITY: 1500 CYCLES

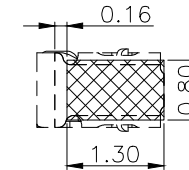
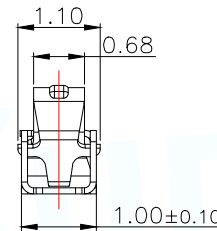
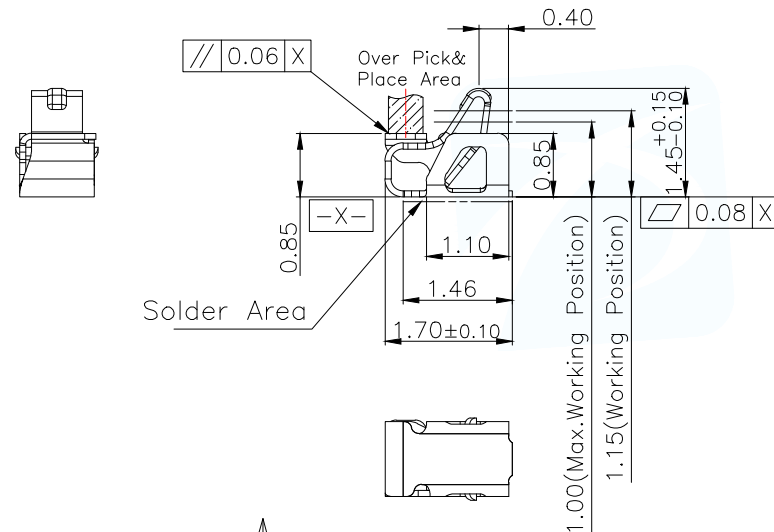
4:SALT SPRAY TIME: 24H

5:ELECTROPLATE: THE NICKEL-PLATED SUBSTRATE IS 50u" MIN

6:REQUIREMENTS

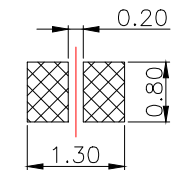
6-1:TERMINAL TO EAT FULL TIN,NOTPEELING,
WELDING OBVIOUS COLOR AND OTHED ADVERSE

6-2:ROHS.REACH.HF HALOGER ADVERSE OF DOMESTIC
AND INTERNATIONAL ENVIRONMNTAL REQUIREMENTS



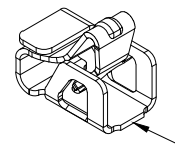
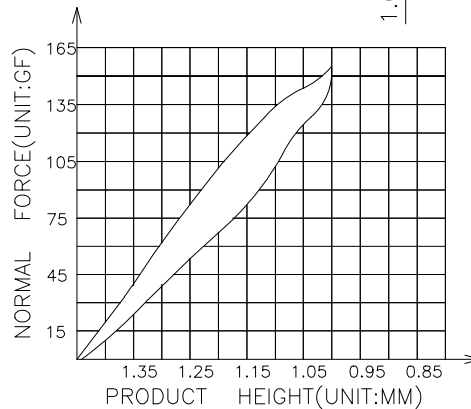
RECOMMENDED PCB LAYOUT

TOLERANCE:±0.05MM
(FOR REFERENCE ONLY)



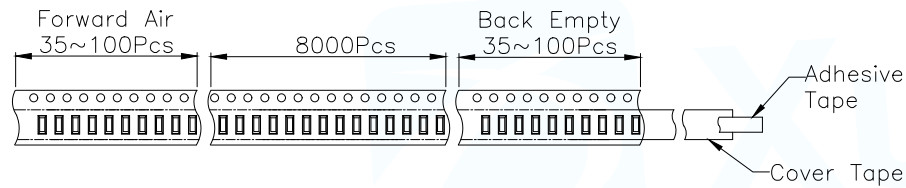
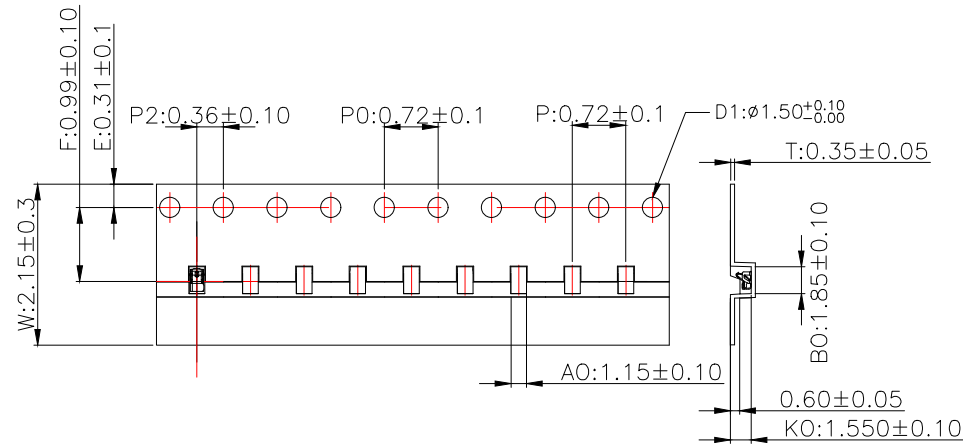
METAL MASK T=0.08

TOLERANCE:±0.05MM
(FOR REFERENCE ONLY)



3D View

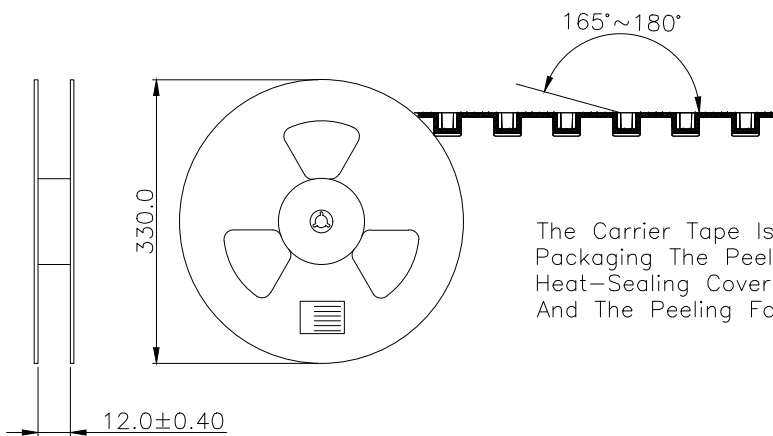
MANUFACTURE DWG		东莞市讯普电子科技有限公司 DongGuan XunPu Electronics Co.,Ltd	
UNLESS OTHERWISE SPECIFIED TOLERANCES			TITLE: 天线弹片 L1.70*W1.00*H1.45
			PAR ASP-D1403-B01
DECIMALS:	ANGLES:		DWN Lucas
X.:±0.30	X.':±2°		CHKD Ethan
X.X:±0.20	X.X':±1°		APVD Jacob
X.XX:±0.15	X.XX':±0.5°	CUSTOMER COPY	SCALE:1:1 UNIT:MM
		SIZE:A4	SHEET:1F1
			REV:A



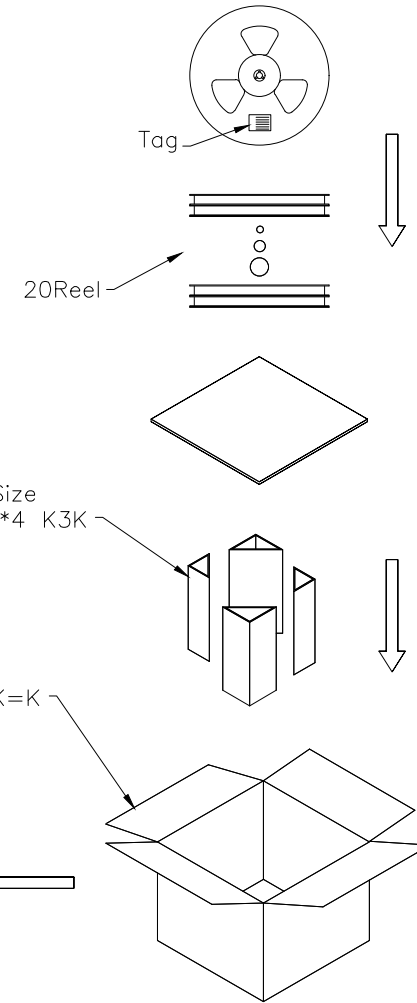
Customer To Use Direction

Pull Out Direction

(出料方向)



The Carrier Tape Is Heat-Sealed Packaging The Peeling Angle Of The Heat-Sealing Cover Tape Is 165°~180° And The Peeling Force Is 30~120g.



Carton Size 290*330*4 K3K

Carton Size 345*345*360 K=K

Lable

MANUFACTURE DWG		东莞市讯普电子科技有限公司 DongGuan XunPu Electronics Co.,Ltd	
UNLESS OTHERWISE SPECIFIED TOLERANCES			TITLE: 无线弹片 L1.70*W1.00*H1.45
			PAR ASP-D1403-B01
			DWN Lucas
			CHKD Ethan
DECIMALS:	ANGLES:	APVD Jacob	
X.:±0.30	X.':±2°	SCALE:1:1	UNIT:MM
X.X:±0.20	X.X':±1°	SIZE:A4	UNIT:MM
X.XX:±0.15	X.XX':±0.5°	SHEET:1F1	REV:A

X-ON Electronics

Largest Supplier of Electrical and Electronic Components

Click to view similar products for [XUNPU](#) manufacturer:

Other Similar products are found below :

[2.54DC2-01-05PZS](#) [2.54DC2-01-08PZS](#) [2.54DC2-01-10PZS](#) [2.54DC2-01-13PZS](#) [2.54DC2-01-20PZS](#) [ASP-D0801-B01](#) [ASP-D1001-B01](#)
[ASP-D1101-B01](#) [ASP-D1102-B01](#) [ASP-D1103-A01](#) [ASP-D1104-B01](#) [ASP-D1201-B01](#) [ASP-D1301-B01](#) [ASP-D1401-A01](#) [ASP-D1402-B01](#)
[ASP-D1403-B01](#) [ASP-D1501-B01](#) [ASP-D1502-A01](#) [ASP-D1503-A01](#) [ASP-D1504-B01](#) [ASP-D1505-B01](#) [ASP-D1506-B31](#) [ASP-D1603-](#)
[B01](#) [ASP-D1701-B01](#) [ASP-D1801-B01](#) [ASP-D1802-A01](#) [ASP-D1803-A01](#) [ASP-D1805-B01](#) [ASP-D1901-B01](#) [ASP-D2001-A51](#) [ASP-](#)
[D2002-B01](#) [ASP-D2003-B01](#) [ASP-D2004-B01](#) [ASP-D2005-B01](#) [ASP-D2101-A01](#) [ASP-D2201-B01](#) [ASP-D2301-BE1](#) [ASP-D2402-A01](#)
[ASP-D2501-A01](#) [ASP-D2501-B01](#) [ASP-D2502-B01](#) [ASP-D2503-B01](#) [ASP-D2504-A31](#) [ASP-D2505-B01](#) [ASP-D2506-A01](#) [ASP-D2516-](#)
[A01](#) [ASP-D2601-B31](#) [ASP-D2607-A01](#) [ASP-D2611-B51](#) [ASP-D2803-B31](#)