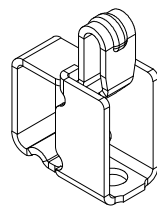
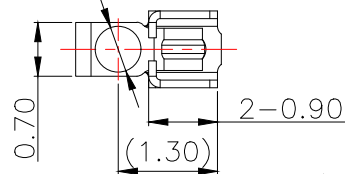


( $\phi 0.60$ ) PICK&PLACE AREA

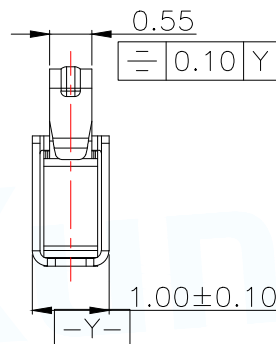
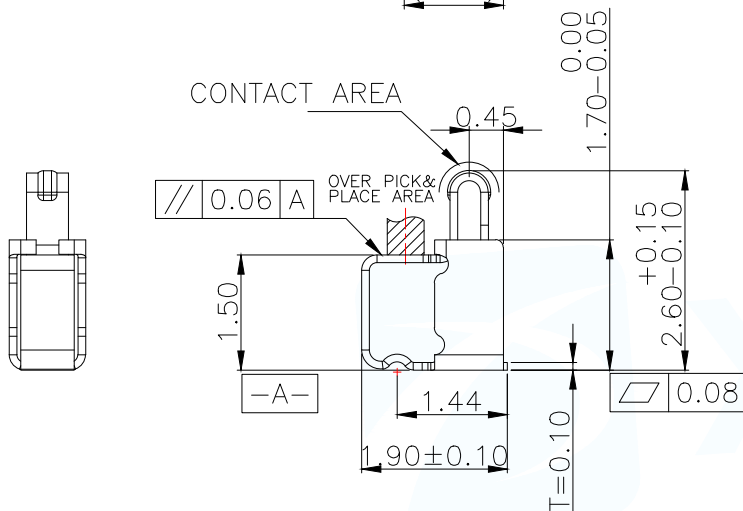


3D VIEW

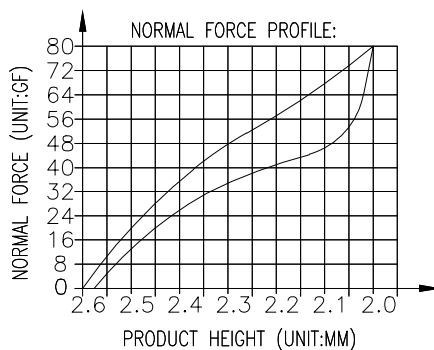
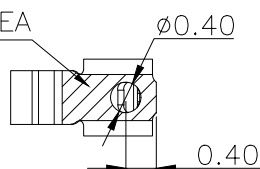
NOTES

- (1) MATERIAL: C5210 THICKNE=0.10mm
- (2) PRODUCT SPECIFICATIONS:
  - 2-1: RATED CURRENT: 1.0A
  - 2-2: VOLTAGE RATING: 1.50V
  - 2-3: CONTACT RESISTANCE: 80m $\Omega$ /MAX
  - 2-4: WELDING THRUST:  $\geq 3$ KG
  - 2-5: OPERATING TEMPERATURE:  $-40^{\circ}\text{C} \sim +85^{\circ}\text{C}$
  - 2-6: DURABILITY: 1500 CYCLES
- (3): SALT SPRAY: 72 HOURS
- (4): FINISH: 50u"Min NICKEL UNDERPLATING OVER ALL.
- (5): REQUIREMENTS
  - 5-1: TERMINAL TO EAT FULL TIN, NOT PEELING WELDING OBVIOUS COLOR AND OTHER ADVERSE
  - 5-2: ROHS, REACH, HF HALOGEN ADVERSE OF DOMESTIC AND INTERNATIONAL ENVIRONMENTAL REQUIREMENTS

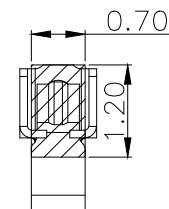
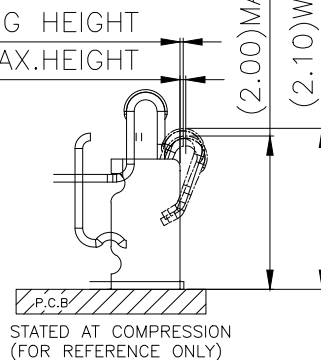
CONTACT AREA



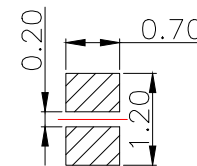
SOLDER AREA



(0.04) WORKING HEIGHT  
(0.07) MAX. HEIGHT

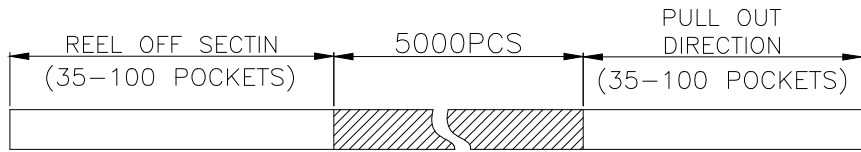


RECOMMENDED PCB LAYOUT  
TOLERANCE  $\pm 0.05$  (焊盘推荐图)

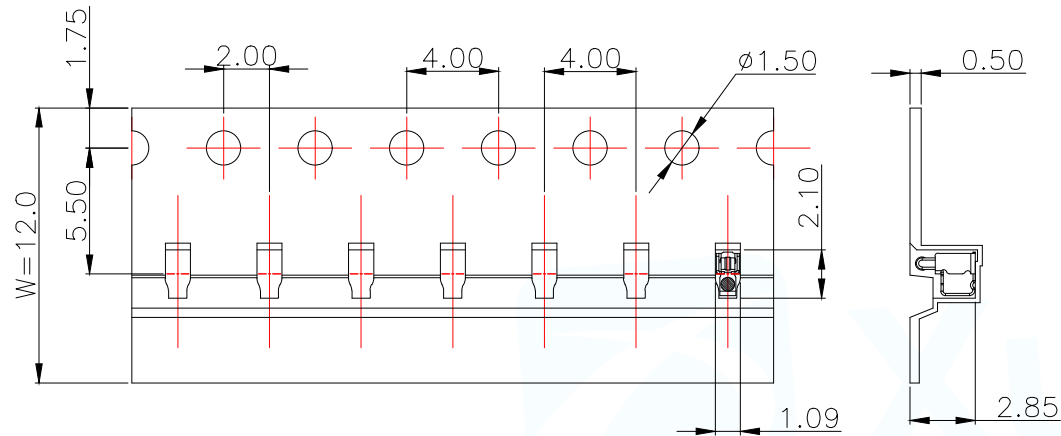


METAL MASK T=0.10  
TOLERANCE  $\pm 0.05$  (钢网推荐图)

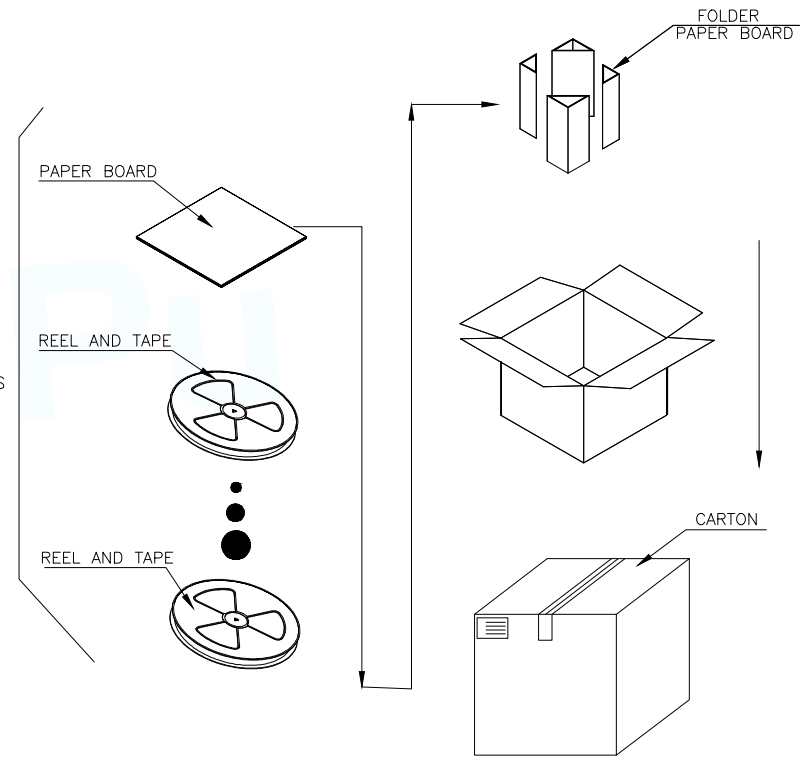
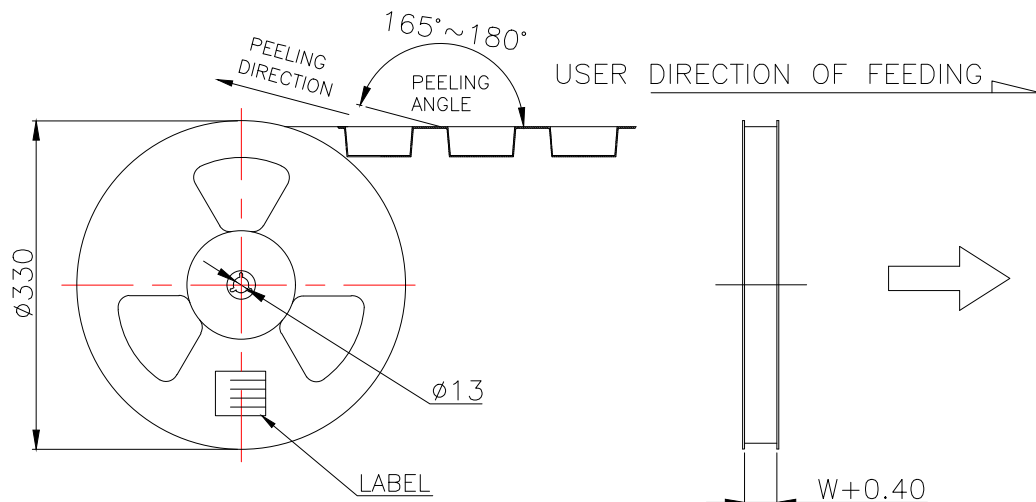
MANUFACTURE DWG		东莞市讯普电子科技有限公司 DongGuan XunPu Electronics Co., Ltd	
UNLESS OTHERWISE SPECIFIED TOLERANCES			TITLE: H2.60 ANTENNA SPRING TERMINAL, SMT T=0.10mm
DECIMALS:	ANGLES:		PAR ASP-D2611-B51
X.: $\pm 0.30$	X': $\pm 2^{\circ}$		DWN Lucas
X.X: $\pm 0.20$	X.X': $\pm 1^{\circ}$		CHKD Ethan
X.XX: $\pm 0.15$	X.XX': $\pm 0.5^{\circ}$	CUSTOMER COPY	APVD Jacob
		SCALE: 1:1	UNIT: MM
		SIZE: A4	SHEET: 1F1
			REV: A



CONN. QTY./REEL	REEL QTY./CARTON	CONN. QTY./CARTON
5000	20	100,000



← PRODUCT PACKAGING DIRECTION  
 CUSTOMER TO USE DIRECTION →



MANUFACTURE DWG		东莞市讯普电子科技有限公司 DongGuan XunPu Electronics Co.,Ltd	
UNLESS OTHERWISE SPECIFIED TOLERANCES			TITLE:H2.60 ANTENNA SPRING TERMINAL,SMT T=0.10mm
DECIMALS:	ANGLES:		PAR ASP-D2611-B51
X.:±0.30	X.':±2°		DWN Lucas
X.X:±0.20	X.X':±1°		CHKD Ethan
X.XX:±0.15	X.XX':±0.5°	CUSTOMER COPY	SCALE:1:1 SIZE:A4 UNIT:MM SHEET:1F1 REV:A

## X-ON Electronics

Largest Supplier of Electrical and Electronic Components

*Click to view similar products for [XUNPU](#) manufacturer:*

Other Similar products are found below :

[TYC-302-08](#) [TS-1003-06526](#) [TS-1003-08026](#) [TS-1003-09526](#) [TS-1009S-05526](#) [TS-1003S-06526](#) [TS-1003S-07526](#) [TS-1003T-26](#) [TS-1002-BR12516](#) [TS-1009S-AR03816](#) [TS-1003S-BR07016](#) [WAFER-MX1.25-10PLB](#) [FPC-0.5AL-12PB](#) [TYPEC-249D-BRP6](#) [WAFER-MX1.25-4PWZ](#) [TS-1002S-BR15526](#) [TS-1056SG-AR04326](#) [FFC-1.0-10-100-A-4-8](#) [SMA-JWE-324-H13X15-LW](#) [WAFER-XH2.54-6PLB](#) [SD-101](#) [SD-107](#) [TS-1002N-10026](#) [TS-1003S-06026](#) [TS-1010GD-BR09026](#) [TS-1010GS-BR05026](#) [TS-1080S-AC01516](#) [TS-1002N-BR05016](#) [TS-1002N-BR08016](#) [SIM-105-ARP6](#) [FH2.54-09-07PZD](#) [WAFER-PH2.0-7PWZ](#) [WAFER-WTB4.2-14PWZ](#) [SMA-KWE-323C-H13X23-LW](#) [TS-1002-BR15026](#) [WAFER-PH2.0-10PZZ](#) [TYPEC-254-BRP6H65](#) [TYC-340-16CB16](#) [TS-1003S-11026](#) [TS-1009-06026](#) [USB-234-ACY](#) [TS-1010DGS-BR06026](#) [TS-1002-BR05016](#) [TS-1002NT-BR07316](#) [TF-123-ARP9H15](#) [WAFER-MX1.25-8PWB](#) [WAFER-PH2.0-5PLB](#) [TF-121-ARP8H30](#) [TS-1003-09026](#) [TS-1009B-04326](#)