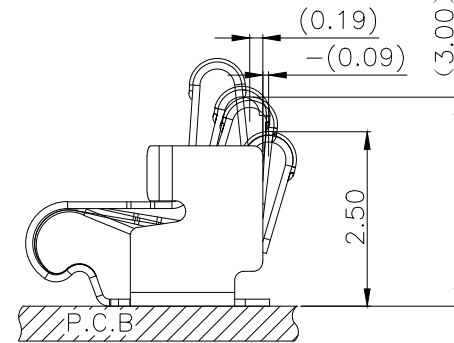
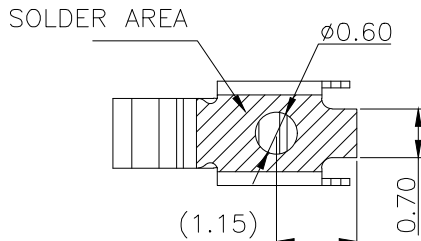
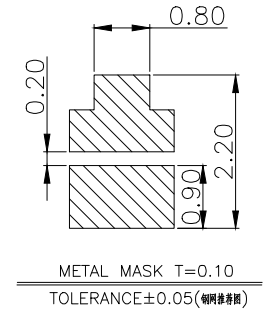
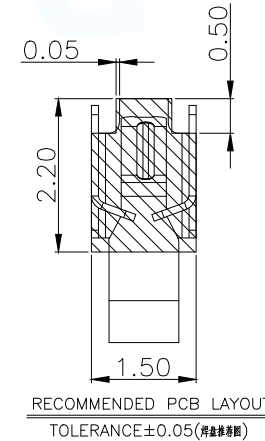
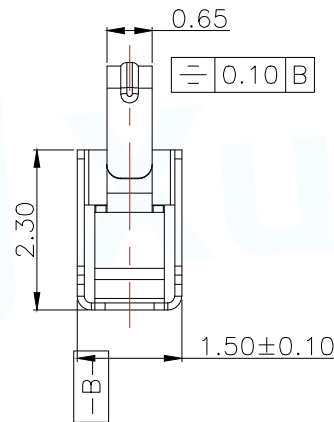
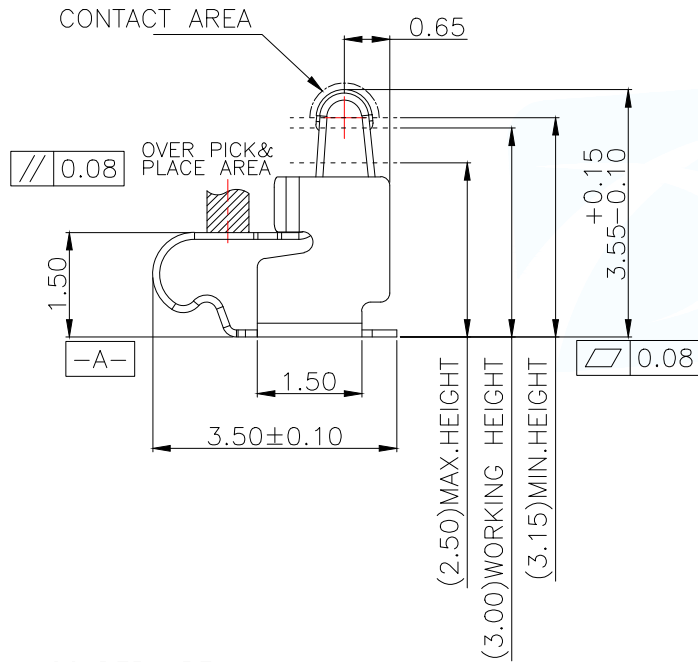


3D View

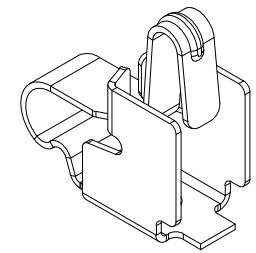
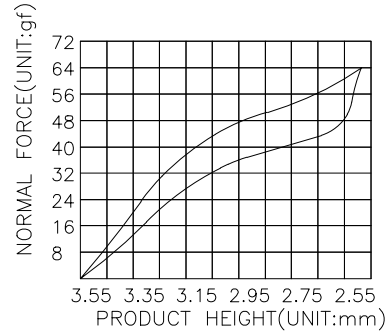
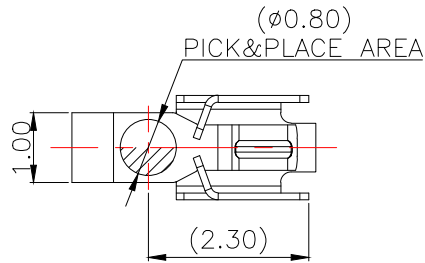
NOTES

- (1) MATERIAL: SUS-304 THICKNE=0.10mm
- (2) PRODUCT SPECIFICATIONS:
 - 2-1: RATED CURRENT: 1.0A
 - 2-2: VOLTAGE RATING: 1.50V
 - 2-3: CONTACT RESISTANCE: 80mΩ/MAX
 - 2-4: WELDING THRUST: ≥3KG
 - 2-5: OPERATING TEMPERATURE: -40°C~+85°C
 - 2-6: DURABILITY: 1500 CYCLES
- (3) SALT SPRAY: 24 HOURS
- (4) REQUIREMENTS
 - 4-1: TERMINAL TO EAT FULL TIN, NOT PEELING WELDING OBVIOUS COLOR AND OTHER ADVERSE
 - 4-2: ROHS, REACH, HF HALOGEN ADVERSE OF DOMESTIC AND INTERNATIONAL ENVIRONMENTAL REQUIREMENTS



STATED AT COMPRESSION
(FOR REFERENCE ONLY)

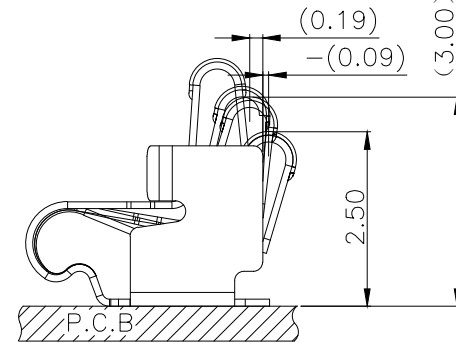
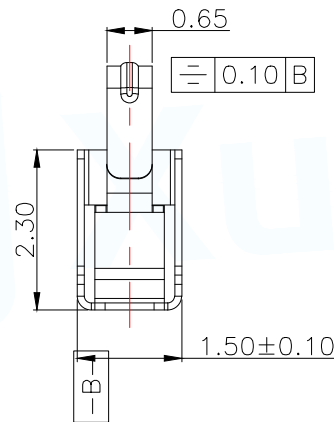
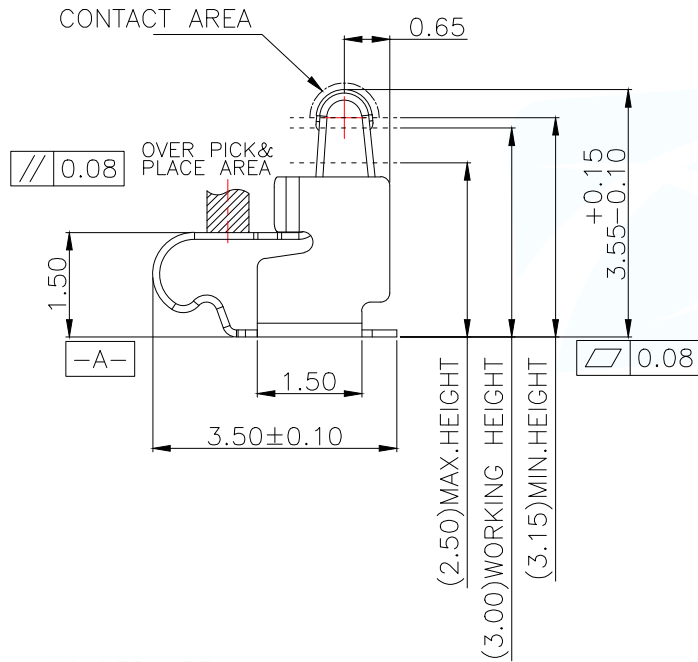
MANUFACTURE DWG		 东莞市讯普电子科技有限公司 DongGuan XunPu Electronics Co., Ltd	
UNLESS OTHERWISE SPECIFIED TOLERANCES		TITLE: H3.55 ANTENNA SPRING, SMT T=0.10mm	
DECIMALS:	ANGLES:	PAR	ASP-D3504-A01
X.: ±0.30	X': ±2°	DWN	Lucas
X.X: ±0.20	X.X': ±1°	CHKD	Ethan
X.XX: ±0.15	X.XX': ±0.5°	APVD	Jacob
CUSTOMER COPY		SCALE 1:1	UNIT: MM
		SIZE: A4	SHEET: 1F1
			REV: A



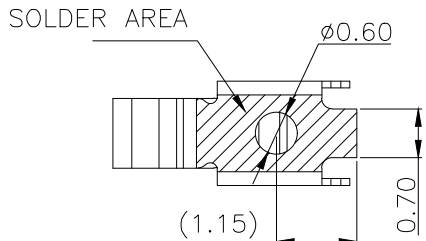
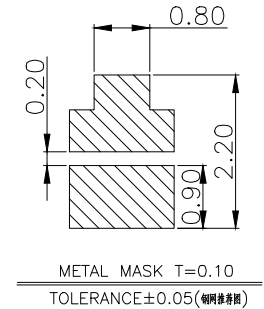
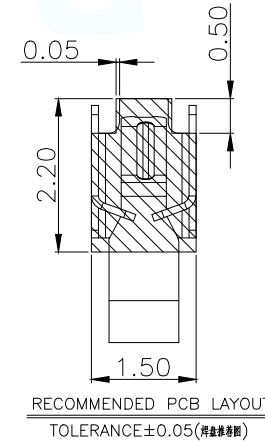
3D View

NOTES

- (1) MATERIAL: SUS-304 THICKNE=0.10mm
- (2) PRODUCT SPECIFICATIONS:
 - 2-1: RATED CURRENT: 1.0A
 - 2-2: VOLTAGE RATING: 1.50V
 - 2-3: CONTACT RESISTANCE: 80mΩ/MAX
 - 2-4: WELDING THRUST: ≥3KG
 - 2-5: OPERATING TEMPERATURE: -40°C~+85°C
 - 2-6: DURABILITY: 1500 CYCLES
- (3) SALT SPRAY: 24 HOURS
- (4) REQUIREMENTS
 - 4-1: TERMINAL TO EAT FULL TIN, NOT PEELING WELDING OBVIOUS COLOR AND OTHER ADVERSE
 - 4-2: ROHS, REACH, HF HALOGEN ADVERSE OF DOMESTIC AND INTERNATIONAL ENVIRONMENTAL REQUIREMENTS



STATED AT COMPRESSION (FOR REFERENCE ONLY)



MANUFACTURE DWG		东莞市讯普电子科技有限公司 DongGuan XunPu Electronics Co., Ltd	
UNLESS OTHERWISE SPECIFIED TOLERANCES		TITLE: H3.55 ANTENNA SPRING, SMT T=0.10mm PAR ASP-D3504-A01 DWN Lucas CHKD Ethan APVD Jacob	
DECIMALS:	ANGLES:		SCALE 1:1
X.: ±0.30	X': ±2°		UNIT: MM
X.X: ±0.20	X.X': ±1°		SIZE: A4
X.XX: ±0.15	X.XX': ±0.5°		SHEET: 1F1
CUSTOMER COPY		REV: A	

X-ON Electronics

Largest Supplier of Electrical and Electronic Components

Click to view similar products for XUNPU manufacturer:

Other Similar products are found below :

[TYC-302-08](#) [TS-1003-06526](#) [TS-1003-08026](#) [TS-1003-09526](#) [TS-1009S-05526](#) [TS-1003S-06526](#) [TS-1003S-07526](#) [TS-1003T-26](#) [TS-1002-BR12516](#) [TS-1009S-AR03816](#) [TS-1003S-BR07016](#) [WAFER-MX1.25-10PLB](#) [FPC-0.5AL-12PB](#) [TYPEC-249D-BRP6](#) [WAFER-MX1.25-4PWZ](#) [TS-1002S-BR15526](#) [TS-1056SG-AR04326](#) [FFC-1.0-10-100-A-4-8](#) [SMA-JWE-324-H13X15-LW](#) [WAFER-XH2.54-6PLB](#) [SD-101](#) [SD-107](#) [TS-1002N-10026](#) [TS-1003S-06026](#) [TS-1010GD-BR09026](#) [TS-1010GS-BR05026](#) [TS-1080S-AC01516](#) [TS-1002N-BR05016](#) [TS-1002N-BR08016](#) [SIM-105-ARP6](#) [FH2.54-09-07PZD](#) [WAFER-PH2.0-7PWZ](#) [WAFER-WTB4.2-14PWZ](#) [SMA-KWE-323C-H13X23-LW](#) [TS-1002-BR15026](#) [WAFER-PH2.0-10PZZ](#) [TYPEC-254-BRP6H65](#) [TYC-340-16CB16](#) [TS-1003S-11026](#) [TS-1009-06026](#) [USB-234-ACY](#) [TS-1010DGS-BR06026](#) [TS-1002-BR05016](#) [TS-1002NT-BR07316](#) [TF-123-ARP9H15](#) [WAFER-MX1.25-8PWB](#) [WAFER-PH2.0-5PLB](#) [TF-121-ARP8H30](#) [TS-1003-09026](#) [TS-1009B-04326](#)