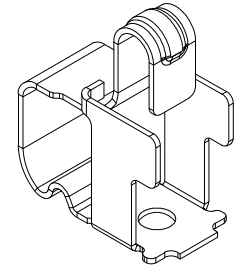
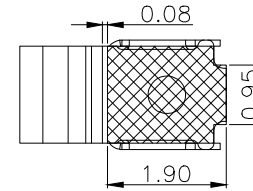
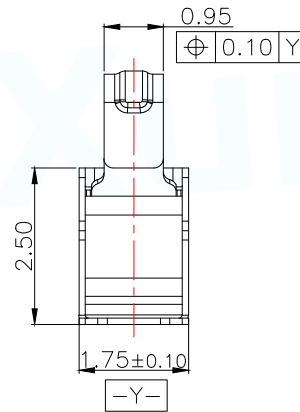
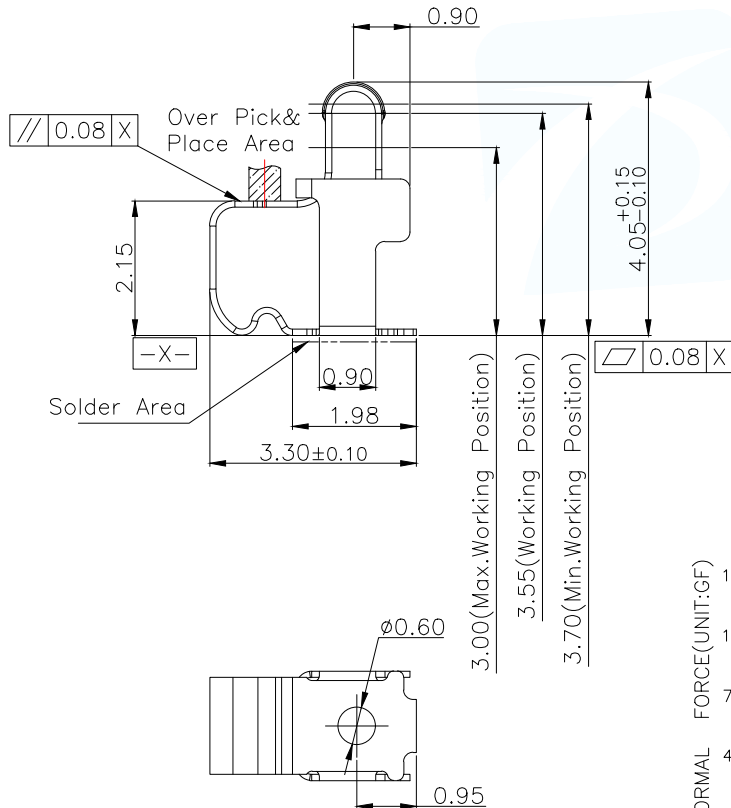


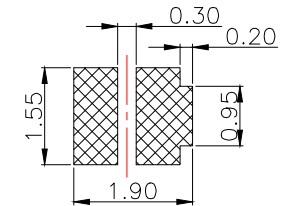
NOTES:
 1:MATERIAL
 1-1: SUS-301 THICKNE=0.10MM
 2:SPECIFICATIONS
 2-1: RATED CURRENT: 1.0A
 2-2: VOLTAGE RATING: 1.5V
 2-3: CONTACT RESISTANCE: 80mΩ/MAX
 2-4: WELDING THRUST: ≥3KG
 2-5: OPERATING TEMPERATURE: -40°C~+85°C
 3:DURABILITY: 1500 CYCLES
 4:SALT SPRAY TIME: 24H
 5:ELECTROPLATE: THE NICKEL-PLATED SUBSTRATE IS 50u" MIN
 6:REQUIREMENTS
 6-1:TERMINAL TO EAT FULL TIN,NOTPEELING, WELDING OBVIOUS COLOR AND OTHED ADVERSE
 6-2:ROHS、REACH、HF HALOGER ADVERSE OF DOMESTIC AND INTERNATIONAL ENVIRONMENTAL REQUIREMENTS



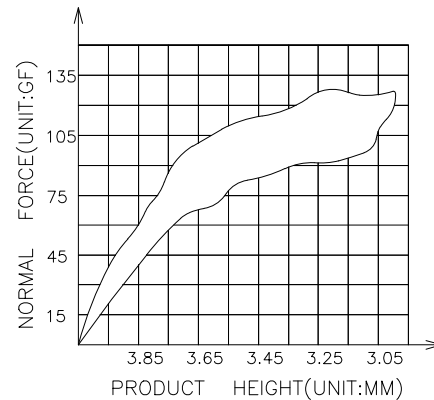
3D View



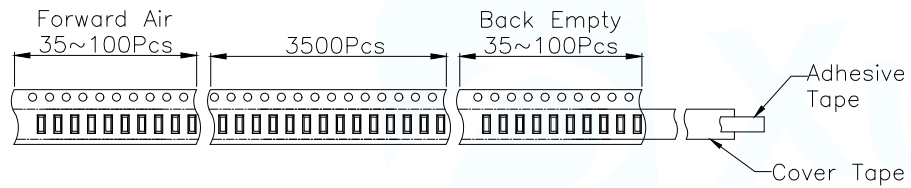
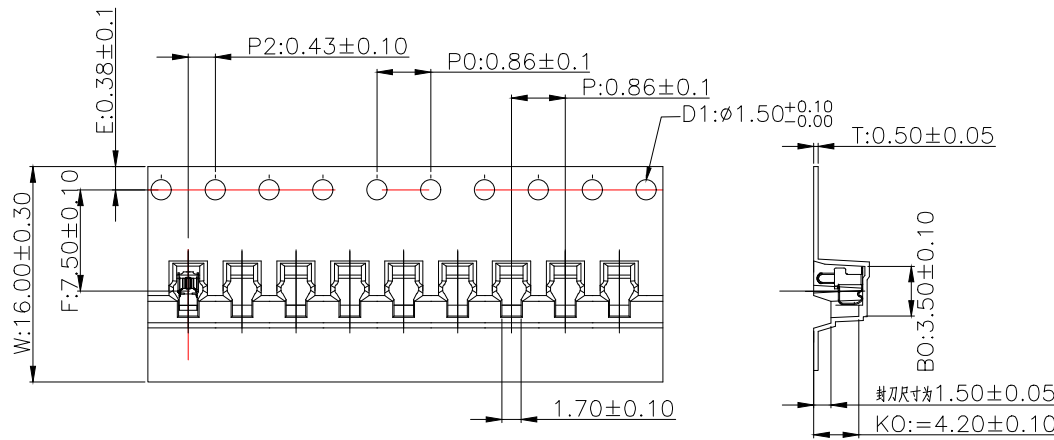
RECOMMENDED PCB LAYOUT
 TOLERANCE:±0.05MM
 (FOR REFERENCE ONLY)



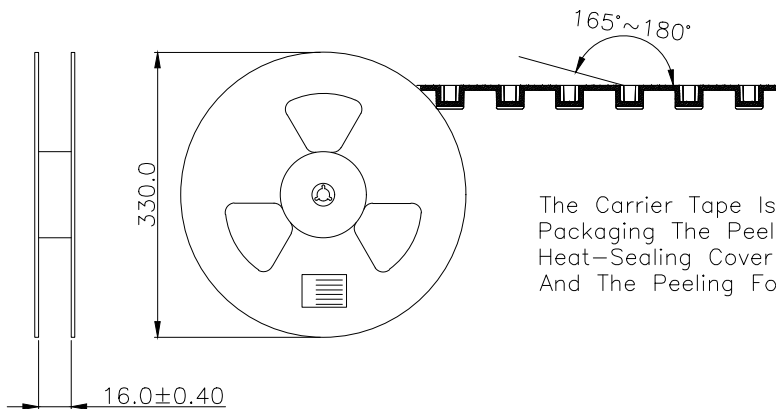
METAL MASK T=0.08
 TOLERANCE:±0.05MM
 (FOR REFERENCE ONLY)



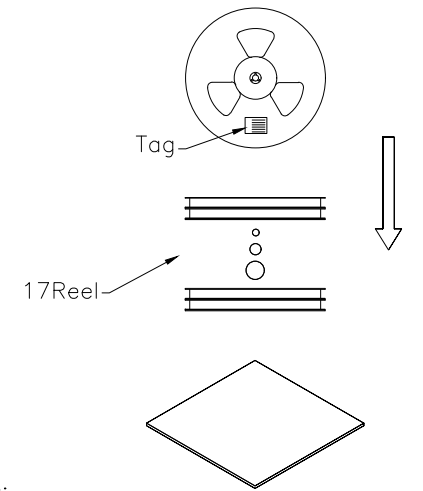
MANUFACTURE DWG		东莞市讯普电子科技有限公司 DongGuan XunPu Electronics Co.,Ltd	
UNLESS OTHERWISE SPECIFIED TOLERANCES			TITLE: 天线弹片 L3.30*W1.75*H4.05
DECIMALS:	ANGLES:		PAR ASP-D4001-B01
X.:±0.30	X':±2°		DWN Lucas
X.X:±0.20	X.X':±1°		CHKD Ethan
X.XX:±0.15	X.XX':±0.5°	CUSTOMER COPY	APVD Jacob
		SCALE:1:1	UNIT:MM
		SIZE:A4	REV:A



Customer To Use Direction Pull Out Direction (出料方向)

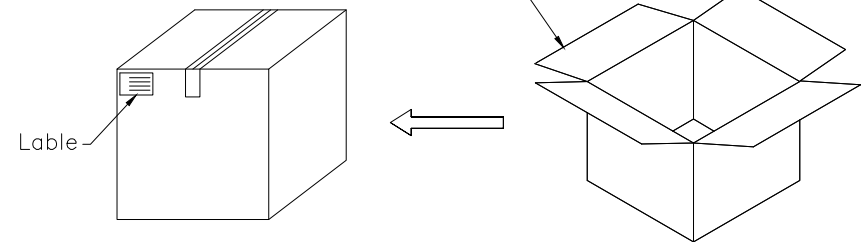


The Carrier Tape Is Heat-Sealed Packaging The Peeling Angle Of The Heat-Sealing Cover Tape Is 165°~180° And The Peeling Force Is 30~120g.



Carton Size 290*330*4 K3K

Carton Size 345*345*360 K=K



MANUFACTURE DWG		东莞市讯普电子科技有限公司 DongGuan XunPu Electronics Co.,Ltd	
UNLESS OTHERWISE SPECIFIED TOLERANCES		TITLE: 天线弹片 L3.30*W1.75*H4.05	
		PAR	ASP-D4001-B01
DECIMALS:		DWN	Lucas
ANGLES:		CHKD	Ethan
X.:±0.30	X':±2°	APVD	Jacob
X.X:±0.20	X.X':±1°	SCALE:1:1	UNIT:MM
X.XX:±0.15	X.XX':±0.5°	SIZE:A4	SHEET:1F1
CUSTOMER COPY			REV:A

X-ON Electronics

Largest Supplier of Electrical and Electronic Components

Click to view similar products for [XUNPU](#) manufacturer:

Other Similar products are found below :

[2.54DC2-01-05PZS](#) [2.54DC2-01-08PZS](#) [2.54DC2-01-10PZS](#) [2.54DC2-01-13PZS](#) [2.54DC2-01-20PZS](#) [ASP-D0801-B01](#) [ASP-D1001-B01](#)
[ASP-D1101-B01](#) [ASP-D1102-B01](#) [ASP-D1103-A01](#) [ASP-D1104-B01](#) [ASP-D1201-B01](#) [ASP-D1301-B01](#) [ASP-D1401-A01](#) [ASP-D1402-B01](#)
[ASP-D1403-B01](#) [ASP-D1501-B01](#) [ASP-D1502-A01](#) [ASP-D1503-A01](#) [ASP-D1504-B01](#) [ASP-D1505-B01](#) [ASP-D1506-B31](#) [ASP-D1603-](#)
[B01](#) [ASP-D1701-B01](#) [ASP-D1801-B01](#) [ASP-D1802-A01](#) [ASP-D1803-A01](#) [ASP-D1805-B01](#) [ASP-D1901-B01](#) [ASP-D2001-A51](#) [ASP-](#)
[D2002-B01](#) [ASP-D2003-B01](#) [ASP-D2004-B01](#) [ASP-D2005-B01](#) [ASP-D2101-A01](#) [ASP-D2201-B01](#) [ASP-D2301-BE1](#) [ASP-D2402-A01](#)
[ASP-D2501-A01](#) [ASP-D2501-B01](#) [ASP-D2502-B01](#) [ASP-D2503-B01](#) [ASP-D2504-A31](#) [ASP-D2505-B01](#) [ASP-D2506-A01](#) [ASP-D2516-](#)
[A01](#) [ASP-D2601-B31](#) [ASP-D2607-A01](#) [ASP-D2611-B51](#) [ASP-D2803-B31](#)